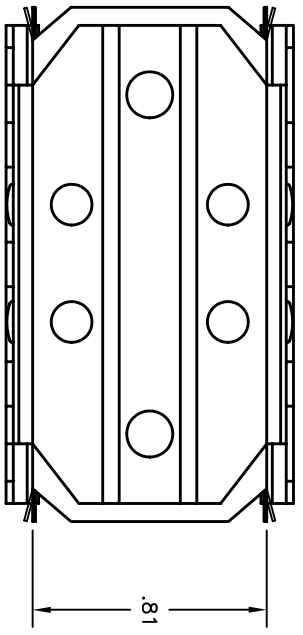
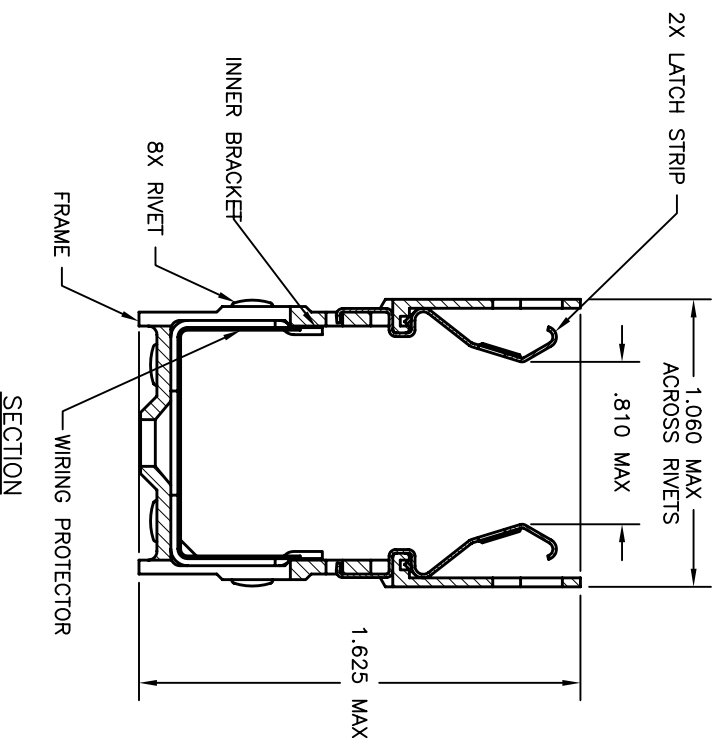
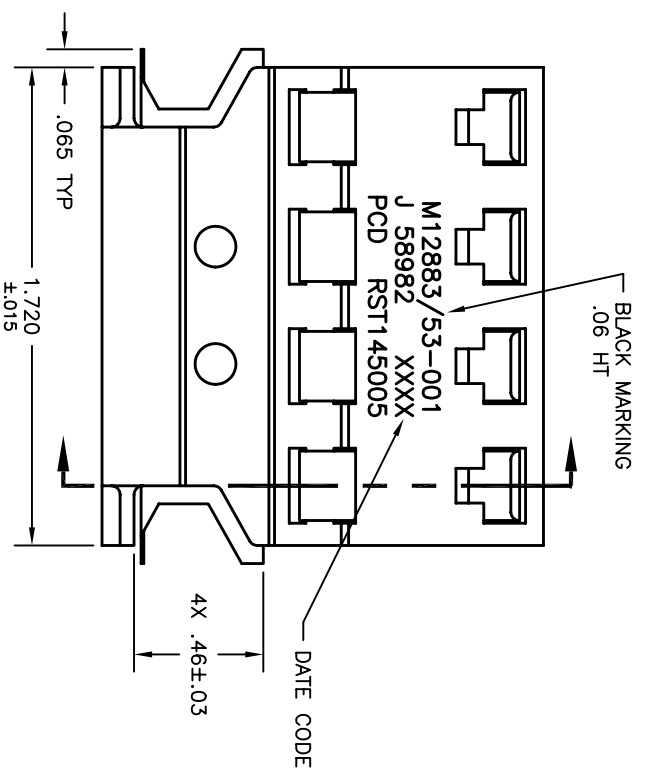


REV	ECN	APP'D
-	4158	



- NOTES:
1. MATERIALS:  
 OUTER TRACK: ALUMINUM ALLOY PER QQ-A-225. CHEMICAL COATING PER MIL-C-5541, CLASS 3  
 INNER BRACKETS AND RIVETS: STAINLESS STEEL PER QQ-S-766, PASSIVATED  
 LATCH: BERYLLIUM COPPER #172 PER QQ-C-535, BRIGHT FINISH  
 WIRING PROTECTOR: ARAMID PAPER PER MIL-I-24202
  2. PERFORMANCE SPECIFICATIONS:  
 OPERATING TEMPERATURE: -65 TO 125 DEG C
  3. FOR USE WITH PCD SOCKET PART NO'S RSE116175, RSE116185, AND RSE116195

DIMENSIONS	ANSI Y14.5M	TOLERANCES	.XX ±.01	PROJECTION	
	UNITS: INCHES	.XXX ±.005	ANGLES ±2°		
ACAD FILE					
ORIGINAL	THIS DOCUMENT CONTAINS PROPRIETARY INFORMATION WHICH IS THE CONFIDENTIAL PROPERTY OF PCD, INC. PEABODY, MA, USA				
SPECIFICATION DRAWING			CHKD	TITLE MOUNTING TRACK RELAY SOCKET M12883/53-001	
			ENGR MEL		
APPD			SIZE	DWG NO.	REV
			A	RST145005	-
CODE: 58982			SCALE: NONE	SHEET 1 OF 1	

## X-ON Electronics

Largest Supplier of Electrical and Electronic Components

*Click to view similar products for [Relay Sockets & Fixings](#) category:*

*Click to view products by [Amphenol](#) manufacturer:*

Other Similar products are found below :

[00008258500](#) [00111976502](#) [0000-825-81-00](#) [60SY4S05](#) [M41G](#) [670-0125](#) [670-0127](#) [6700152](#) [670-0153](#) [6700156](#) [D258-2TS00](#) [70-309](#) [7-1393143-3](#) [7-1616360-5](#) [8000-DG2-5](#) [911361](#) [9-1616339-5](#) [PJF11N](#) [GDA12HA](#) [GDA12HD](#) [GDA12SA](#) [GDA12SD](#) [GDA16HD](#) [GDA22HA](#) [GDA95A](#) [GDA95D](#) [GFX20](#) [PT08QN](#) [PT 1/8 D = 3.2](#) [GUA1](#) [GUA2-11](#) [GUA4-04](#) [GUA4-31](#) [GUM5R](#) [GUR-277](#) [GURX-277](#) [GUW12](#) [GUW95](#) [GUZ63L](#) [R99-11 FOR MY\(NAMEPLATE\)](#) [D52PR2T](#) [RES100K](#) [1310H-HDC](#) [1390H-1ST](#) [1393824-3](#) [1390H-2PC](#) [1410-2SM](#) [1410-3SM](#) [1419106-5](#) [RMOB 1-24 JR](#)