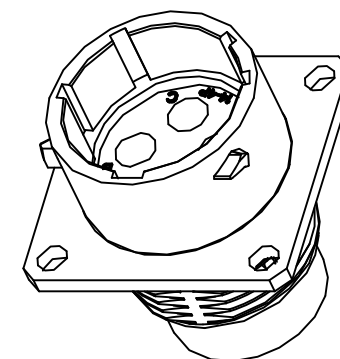
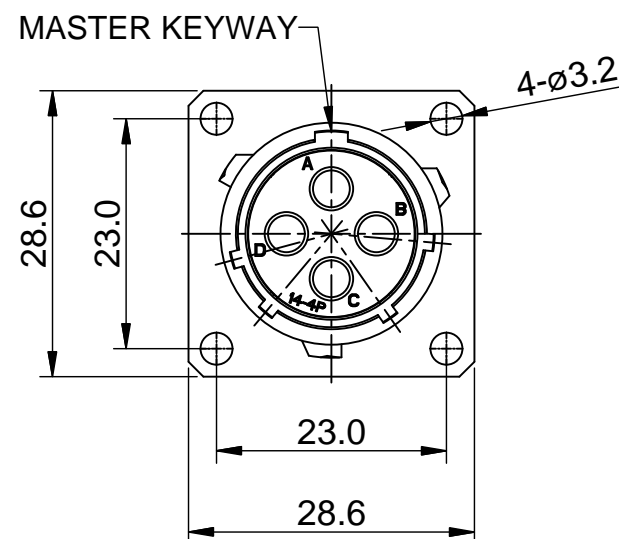
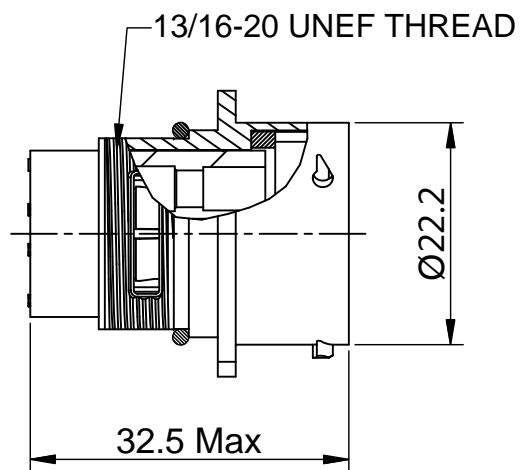
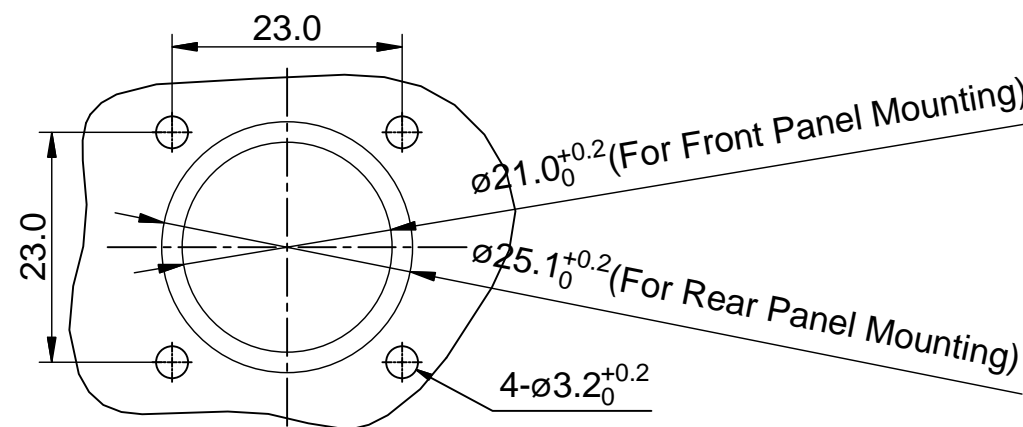


| REVISIONS | | | | | |
|-----------|-----|------------------|-------------|-----|-------|
| REV | ECO | DESCRIPTION | DATE | BY | APPR |
| B1 | - | RELEASED DRAWING | JUN-23-2014 | BEN | TOMMY |



NOTES : (UNLESS OTHERWISE SPECIFIED)

- MATERIAL :
SHELL : ZINC ALLOY , NICKEL PLATED.
INSERT : THERMOPLASTIC , UL94 V-0.
SEAL GASKET : NBR.
O-RING : NBR.
- SPECIFICATIONS :
2.1 RATED CURRENT : 23A (MAX).
2.2 RATED VOLTAGE : 350V (AC/DC).
2.3 OPERATING TEMPERATURE : -40°C ~ +105°C.
2.4 DIELECTRIC WITHSTANDING VOLTAGE : LESS THAN 2 MILLIAMPS CURRENT LEAKAGE@2000 VOLTS AC.
2.5 INSULATION RESISTANCE : 5000 MEGOHMS MIN.
2.6 IP--CLASS : IP67.
2.7 MATING CYCLES DURABILITY : 500 CYCLES MIN.
2.8 ROHS COMPLIANT.
- SUITABLE CONTACTS : 2.5mm CONTACTS.
- ALL DIMENSIONS ARE FOR REFERENCE USE ONLY.



PANEL CUT OUT REFERENCE

| KEY POS | PART NUMBER |
|---------|-------------|
| N | RT00144PNH |
| W | RT00144PWH |
| X | RT00144PXH |
| Y | RT00144PYH |
| Z | RT00144PZH |

| QUANTITY | SEE PART NUMBER CHART PART NUMBER | DESCRIPTION | ITEM |
|--|---|---|---|
| MATERIALS LIST | | | |
| UNLESS OTHERWISE SPECIFIED 1) All dimensions are in metric (mm). 2) Tolerances are as follows: 1 PL DEC ±0.30 2 PL DEC ±0.15 3 PL DEC ±0.08 Fractions ±1/64 Angles ±1° 3) Note reference = | | SIGNATURES DRAWN: BEN CHECKED: ENGINEER: APPROVAL: DATE JUN-23-2014 | <h1>Amphenol</h1> Sine Systems - www.amphenol-sine.com 44724 Morley Drive Clinton Township, MI 48036 |
| MATERIAL SPECIFICATIONS: PROCESS SPECIFICATIONS: NEXT ASSY: | | CUSTOMER: THIS DRAWING IS SUPPLIED FOR INFORMATION ONLY. DESIGN FEATURES, SPECIFICATIONS AND PERFORMANCE DATA SHOWN HEREON ARE THE PROPERTY OF THE AMPHENOL CORPORATION. NO RIGHTS OF REPRODUCTION ARE IMPLIED. ALL DIMENSIONS ARE SUBJECT TO NORMAL MANUFACTURING VARIATIONS. | |
| SIZE: B TYPE: C- SCALE: NONE | | DWG NO.: RT00144P*H | REVISION: B1 SHEET 1 OF 1 |

TITLE: ECO-MATE RECEPTACLE SIZE 14,4POS, PIN
 DWG NO.: RT00144P*H
 REV: B1
 SH: 1
 OF: 1

ecomate® RM/RSSM/Aquarius™ - Contact Size 12 Options

| Crimp Contacts, Machined | | | | |
|--------------------------|--------|-----|-------------------------------|---------|
| Part Number | | AWG | Wire Range (mm ²) | Plating |
| Male | Female | | | |
| N/A | | | | |

| Tooling, Machined | |
|-------------------|-------------|
| Part Number | Description |
| N/A | N/A |
| N/A | N/A |

| Plating Options, All | |
|----------------------|---------|
| Symbol | Plating |
| N/A | N/A |

| Crimp Contacts, Stamped & Formed | | | | |
|----------------------------------|---------|-------|-------------------------------|---------|
| Part Number | | AWG | Wire Range (mm ²) | Plating |
| Male | Female | | | |
| SP12A1T | SS12A1T | 14-12 | 2.5-3.5 | Tin |

| Tooling, Stamped & Formed | |
|---------------------------|--|
| Part Number | Description |
| QXRT12S | Contact Extraction Tool, 2.5mm Contact |
| MFY-3962 | Hand Tool, Stamped & Formed Contact, 2.5mm Contact |

| Misc Tooling, All | |
|-------------------|-----------------------|
| Part Number | Description |
| CA-4012-59 | Sealing Plug, Size 12 |

| Standard Quantity Order Options | |
|---------------------------------|-------------------|
| Machined | Stamped & Formed |
| N/A | Reel, 1000 Pieces |

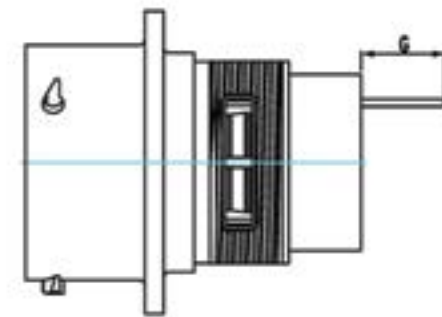
ecomate® RM/RSSM - Contact Size 12, PC Tail Options

| Machined, PC Tail Contacts | | | | |
|----------------------------|---------------|--------|---------------|------------|
| Part Number | | AWG | Description | Plating |
| Male | Female | | | |
| MP10B12E05F | MS10B12E05F | 2.5 mm | Short Version | Gold Flash |
| MP10B12E05G5 | MS10B12E05G5 | 2.5 mm | Short Version | Gold 5µ" |
| MP10B12E05G10 | MS10B12E05G10 | 2.5 mm | Short Version | Gold 10µ" |
| MP10B12E05G15 | MS10B12E05G15 | 2.5 mm | Short Version | Gold 15µ" |
| MP10B12E05G30 | MS10B12E05G30 | 2.5 mm | Short Version | Gold 30µ" |
| MP10B12E08F | MS10B12E08F | 2.5 mm | Long Version | Gold Flash |
| MP10B12E08G5 | MS10B12E08G5 | 2.5 mm | Long Version | Gold 5µ" |
| MP10B12E08G10 | MS10B12E08G10 | 2.5 mm | Long Version | Gold 10µ" |
| MP10B12E08G15 | MS10B12E08G15 | 2.5 mm | Long Version | Gold 15µ" |
| MP10B12E08G30 | MS10B12E08G30 | 2.5 mm | Long Version | Gold 30µ" |

| Stamped & Formed, PC Tail Contacts | | | | |
|------------------------------------|--------|-----|-------------|---------|
| Part Number | | AWG | Description | Plating |
| Male | Female | | | |
| | | N/A | | |
| | | N/A | | |
| | | N/A | | |
| | | N/A | | |
| | | N/A | | |
| | | N/A | | |
| | | N/A | | |
| | | N/A | | |
| | | N/A | | |
| | | N/A | | |

| PCB Contact Dimensions - Nominal Length G (Size 20 PC Tail dimensions for ecomate® RM and ecomate® RSSM connectors only.) | | | | | | |
|--|--------------|--------------|--------------|--------------|--------------|--------------|
| Shell Size | Pin Contact | | | | | |
| | MP20W12E06xx | MP20W12E09xx | MP16M12E04xx | MP16M12E06xx | MP10B12E05xx | MP10B12E08xx |
| 10 | 4.0mm | 9.5mm | 4.0mm | 8.0mm | - | - |
| 12 | 4.0mm | 9.5mm | 4.0mm | 8.0mm | 5.0mm | - |
| 14 | 4.0mm | 9.5mm | 4.0mm | 8.0mm | 5.2mm | - |
| 16 | 4.0mm | 9.5mm | 4.0mm | 8.0mm | - | - |
| 18 | - | 9.5mm | 4.0mm | 8.0mm | - | - |
| 20 | - | 9.5mm | 4.0mm | 8.0mm | - | - |
| 24 | - | - | - | 3.9mm | - | - |

| Shell Size | Socket Contact | | | | | |
|------------|----------------|--------------|--------------|--------------|--------------|--------------|
| | MP20W12E06xx | MP20W12E09xx | MP16M12E04xx | MP16M12E06xx | MP10B12E05xx | MP10B12E08xx |
| 10 | 3.3mm | 8.5mm | 2.4mm | 3.0mm | - | - |
| 12 | 3.3mm | 8.5mm | 2.4mm | 3.0mm | - | - |
| 14 | 3.3mm | 8.5mm | 2.4mm | 3.0mm | - | - |
| 16 | 3.3mm | 8.5mm | 2.4mm | 3.0mm | - | - |
| 18 | -- | 8.5mm | 2.4mm | - | - | - |
| 20 | -- | 8.5mm | 2.4mm | - | - | - |
| 24 | - | - | - | - | - | - |



| Standard Quantity Order Options | |
|---------------------------------|------------------|
| Machined | Stamped & Formed |
| Bulk Package, 500 Pieces | N/A |

NOTE: For ecomate® Aquarius™ PC Tail options, see our [ecomate® Aquarius™ PCB Mount Jam Nut Receptacles Flyer](#) online at www.amphenol-sine.com.

X-ON Electronics

Largest Supplier of Electrical and Electronic Components

Click to view similar products for [Standard Circular Connector](#) category:

Click to view products by [Amphenol](#) manufacturer:

Other Similar products are found below :

[5M2530B10P](#) [600259N006](#) [600273N007](#) [6134-336-13149](#) [6134-337-11149](#) [6134-337-2390](#) [6134-341-17149](#) [6280-4SG-516](#) [6280-7SG-3DC](#)
[6290](#) [6291A](#) [66200A-10](#) [680-SMG](#) [681-PMG](#) [CXS3102A14S2P](#) [CXS3102A181S](#) [7251-6SG-300](#) [7271-6SG-300](#) [7282-3PG-300-CH3](#) [75-](#)
[474014-05S](#) [75-474618-01S](#) [75-474618-04P](#) [75-474618-04S](#) [799539-000](#) [MI8-SE](#) [805-005-07NF11-19PC](#) [805-005-07NF15-7PA](#) [8280-4PG-](#)
[516](#) [8280-7PG-519](#) [8282-5PG-519](#) [836783-1](#) [MP-4102-25P-C](#) [862256-1](#) [864019-2](#) [866857-1](#) [867865-1](#) [PT01SP-14-18P](#) [PT08P-14-5S](#)
[PTSF06SE-14-12S](#) [120-1833-000](#) [QCM019PC2DC012B](#) [1-2069279-1](#) [121583-0217](#) [121667-0020](#) [129591AU](#) [1000B BULK](#) [RD10A16-19-](#)
[P6CS051/1](#) [RD10A20-31-P8CS051/1](#) [RD16A14-12-S6CS051/2](#) [1301240290](#) [1301240347](#)