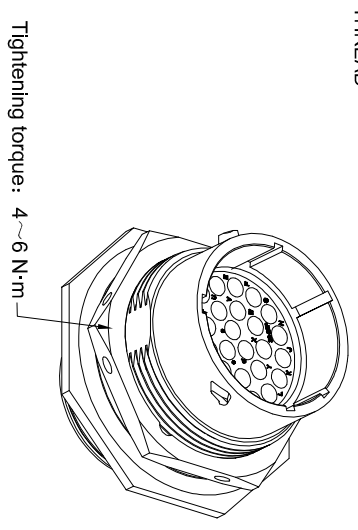
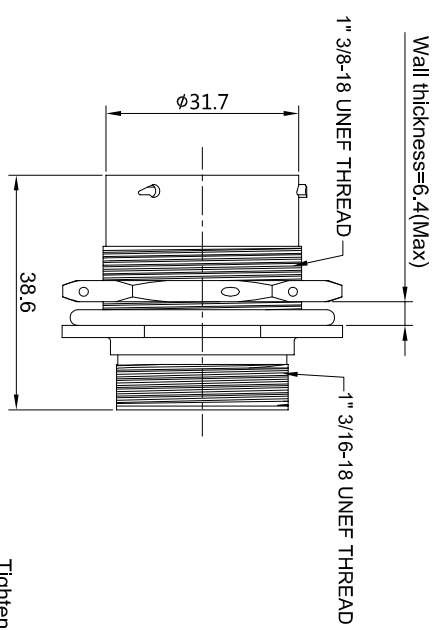
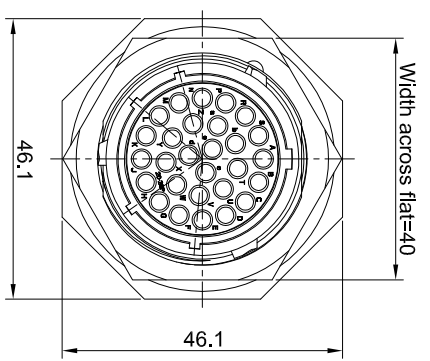
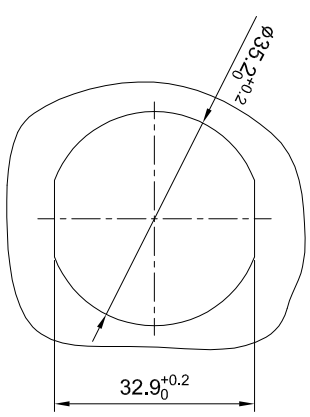


REVISIONS				
REV	ECO	DESCRIPTION	DATE	BY
A1	-	RELEASED DRAWING	Nov-3-2016	Ben
				Tommy



- NOTES : (UNLESS OTHERWISE SPECIFICATION)
1. MATERIAL :
SHELL : ZINC ALLOY , NICKEL PLATED.
INSERT : THERMOPLASTIC , UL94 V-0.
NUTS : AL ALLOY NICKEL PLATED.
SEAL GASKET : NBR/SILICONE RUBBER
O-RING : NBR/SILICONE RUBBER.
2. SPECIFICATIONS :
2.1 RATED CURRENT : 13A (MAX).
2.2 RATED VOLTAGE : 300V(AC/DC).
2.3 OPERATING TEMPERATURE : SEE CHART.
2.4 DIELECTRIC WITHSTANDING VOLTAGE : LESS THAN 2 MILLIAMPS CURRENT LEAKAGE@2000 VOLTS AC.
2.5 INSULATION RESISTANCE : 5000 MEGOHMS MIN.
2.6 IP--CLASS : IP67.
2.7 MATING CYCLES DURABILITY : 500 CYCLES MIN.
2.8 ROHS COMPLIANT.
3. SUITABLE CONTACTS : 16# CONTACTS.
4. ALL DIMENSIONS ARE FOR REFERENCE USE ONLY.
5. CONTACT SIZE AND REAR SEAL WIRE RANGE :

CONTACT SIZE	MIN. INSUL O.D.	MAX. INSUL O.D.	WIRE RANGE
16#	φ2.0mm	φ3.2mm	14 - 24AWG



KEY POS	PART NUMBER	
	-40°C ~ 105°C	-40°C ~ 125°C
N	RT072028PN	RT072028PN03
W	RT072028PW	RT072028PW03
X	RT072028PX	RT072028PX03
Y	RT072028PY	RT072028PY03
Z	RT072028PZ	RT072028PZ03

QUANTITY	PART NUMBER	DESCRIPTION	ITEM
MATERIALS LIST			
		Amphenol	
		Sine Systems - www.amphenol-sine.com	
		44724 Moley Drive	
		Clifton Township, MI 48036	
		ECO-MATE RECEPTACLE, JAM NUT, SIZE 20, 28POS, PIN.	

UNLESS OTHERWISE SPECIFIED	SIGNATURES	DATE	SCALE	TYP	DRWG NO.	REVISION
1) All dimensions are in millimeters (mm). 2) Tolerances are as follows: 1 PL, DEC: ±0.30 2 PL, DEC: ±0.08 3) Hole reference = Angles ±1°	Ben	Nov-3-2016	B	C-	RT072028P**	A1
PROCESS SPECIFICATIONS: NEXT ASSY:	INFORMATION, DESIGN FEATURES, DIMENSIONS AND TOLERANCES SHOWN HEREON ARE THE PROPERTY OF THE AMPHENOL CORPORATION. NO RIGHTS OR DIMENSIONS ARE SUBJECT TO NORMAL MANUFACTURING VARIATIONS.					
MATERIAL SPECIFICATIONS:	APPROVAL	CUSTOMER	THIS DRAWING IS SUPPLIED FOR INFORMATION ONLY. DESIGN FEATURES AND DIMENSIONS ARE SUBJECT TO CHANGE WITHOUT NOTICE.			

X-ON Electronics

Largest Supplier of Electrical and Electronic Components

Click to view similar products for [Standard Circular Connector](#) category:

Click to view products by [Amphenol](#) manufacturer:

Other Similar products are found below :

[600273N007](#) [6134-336-13149](#) [6134-337-11149](#) [6134-337-2390](#) [6134-341-17149](#) [67-02E12-60PX](#) [680-SMG](#) [CXS3102A181S](#)
[D38999/20FC8SA L/C](#) [75-190216-08S](#) [75-190611-03S](#) [75-474014-05S](#) [75-474618-04S](#) [75-474620-07P](#) [799539-000](#) [805-005-07NF11-19PC](#)
[805-005-07NF15-7PA](#) [FMP.2M.310.XLCT](#) [836783-1](#) [862256-1](#) [866857-1](#) [867865-1](#) [PT08P-14-19S](#) [PT08P-14-5S](#) [QCM019PC2DC012B](#)
[121583-0217](#) [121667-0020](#) [RD10A16-19-P6CS051/1](#) [RD16A14-12-S6CS051/2](#) [1301240268](#) [1301240275](#) [1301860906](#) [DCU-08BFEA-](#)
[LL7001](#) [RM15WTP-CP\(5\)\(71\)](#) [14482](#) [16283-18](#) [1877910-1](#) [206039-3](#) [206323-1](#) [207002-2](#) [207682-1](#) [CA06COME14SA7P](#) [211777-1](#) [JL04-](#)
[1012CK\(05\)-R](#) [JL04V-2A28-11PE-R](#) [JL04V-2E10SL-3PE-B-R](#) [JL04V-2E20-15PE-B-R](#) [JL04V-2E20-4PE-B-R](#) [JL04V-2E24-10PE\(G\)-B-R](#)
[JL04V-6A24-11SE-EB-R](#)