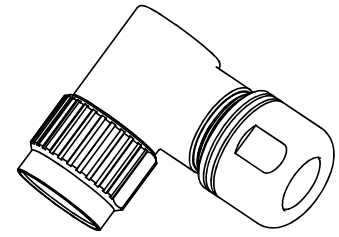
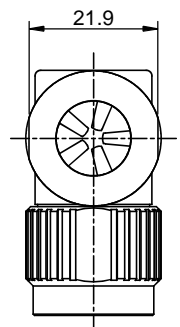
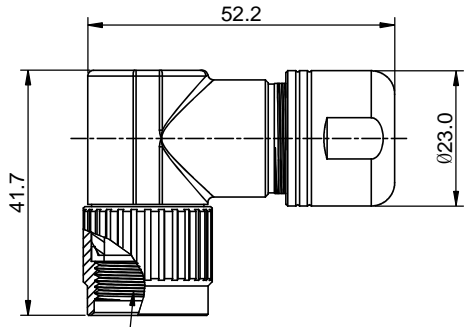


| REVISIONS |     |                  |             |     |       |
|-----------|-----|------------------|-------------|-----|-------|
| REV       | ECO | DESCRIPTION      | DATE        | BY  | APPR  |
| B1        | -   | RELEASED DRAWING | JUN-20-2014 | BEN | TOMMY |



11/16-24 UNEF THREAD

- NOTES : (UNLESS OTHERWISE SPECIFIED)**
- MATERIAL :**
    - METAL NUT : AL ALLOY , NICKEL PLATED.**
    - GASKET : SILICONE RUBBER.**
    - METAL CLIP : STAINLESS STEEL.**
    - BACK SHELL : ZINC ALLOY, NICKEL PLATED.**
    - EMI SHIELDING RING : STAINLESS STEEL.**
    - O-RING : SILICONE RUBBER.**
    - GROMMET : RUBBER.**
    - CLAMP INSERT : THERMOPLASTIC UL94 V-0.**
    - END NUT : ZINC ALLOY , NICKEL PLATED.**
  - ROHS COMPLIANT.
  - ALL DIMENSIONS ARE FOR REFERENCE USE ONLY.

| P/N          | SHIELDING RING | CABLE RANGE  |
|--------------|----------------|--------------|
| RT0B-12CG-C1 | WITHOUT        | Ø6-Ø10.5mm   |
| RT0B-12CG-C2 | WITHOUT        | Ø8.5-Ø12.5mm |
| RT0B-12CG-S1 | WITH           | Ø6-Ø10.5mm   |
| RT0B-12CG-S2 | WITH           | Ø8.5-Ø12.5mm |

| QUANTITY  | PART NUMBER | DESCRIPTION  | ITEM   |
|---|-------------|--|--|
| <b>MATERIALS LIST</b>   |             |  |  |
| <small>UNLESS OTHERWISE SPECIFIED</small><br>1) All dimensions are in metric(mm).<br>2) Tolerances are as follows:<br>1 PL DEC ±0.30   Fractions ±1/64<br>2 PL DEC ±0.15   Angles ±1°<br>3 PL DEC ±0.08<br>3) Note reference =  |             | <b>SIGNATURES</b><br>DRAWN: BEN<br>CHECKED:<br>ENGINEER:<br>APPROVAL:                        | <b>DATE</b><br>JUN-20-2014                                       |
| <small>MATERIAL SPECIFICATIONS:</small><br>THIS DRAWING IS SUPPLIED FOR INFORMATION ONLY. DESIGN FEATURES, SPECIFICATIONS AND PERFORMANCE DATA SHOWN HEREON ARE THE PROPERTY OF THE AMPHENOL CORPORATION. NO RIGHTS OF REPRODUCTION ARE IMPLIED. ALL DIMENSIONS ARE SUBJECT TO NORMAL MANUFACTURING VARIATIONS. |             | <br>Sine Systems - www.amphenol-sine.com<br>44724 Morley Drive<br>Clinton Township, MI 48036 |  |
| <small>PROCESS SPECIFICATIONS:</small>  |             | CUSTOMER:<br>ECO-MATE, ANGLE 90°,<br>CORD GRIP, SIZE 12                                      | SIZE: B C-<br>TYPE: NONE<br>DWG NO: RT0B-12CG-xx<br>REVISION: B1 |
| <small>NEXT ASSY:</small>   |             | SCALE: NONE  | SHEET 1 OF 1   |

TITLE: ECO-MATE, ANGLE 90° CORD GRIP, SIZE 12  
 DWG NO: RT0B-12CG-xx  
 REV: B1  
 SH: 1  
 OF: 1

## X-ON Electronics

Largest Supplier of Electrical and Electronic Components

*Click to view similar products for [Standard Circular Connector](#) category:*

*Click to view products by [Amphenol](#) manufacturer:*

Other Similar products are found below :

[5M2530B10P](#) [600259N006](#) [600273N007](#) [6134-336-13149](#) [6134-337-11149](#) [6134-337-2390](#) [6134-341-17149](#) [6280-4SG-516](#) [6280-7SG-3DC](#)  
[6290](#) [6291A](#) [66200A-10](#) [680-SMG](#) [681-PMG](#) [CXS3102A14S2P](#) [CXS3102A181S](#) [7251-6SG-300](#) [7271-6SG-300](#) [7282-3PG-300-CH3](#) [75-](#)  
[474014-05S](#) [75-474618-01S](#) [75-474618-04P](#) [75-474618-04S](#) [799539-000](#) [MI8-SE](#) [805-005-07NF11-19PC](#) [805-005-07NF15-7PA](#) [8280-4PG-](#)  
[516](#) [8280-7PG-519](#) [8282-5PG-519](#) [836783-1](#) [MP-4102-25P-C](#) [862256-1](#) [864019-2](#) [866857-1](#) [867865-1](#) [PT01SP-14-18P](#) [PT08P-14-5S](#)  
[PTSF06SE-14-12S](#) [120-1833-000](#) [QCM019PC2DC012B](#) [1-2069279-1](#) [121583-0217](#) [121667-0020](#) [129591AU](#) [1000B BULK](#) [RD10A16-19-](#)  
[P6CS051/1](#) [RD10A20-31-P8CS051/1](#) [RD16A14-12-S6CS051/2](#) [1301240290](#) [1301240347](#)