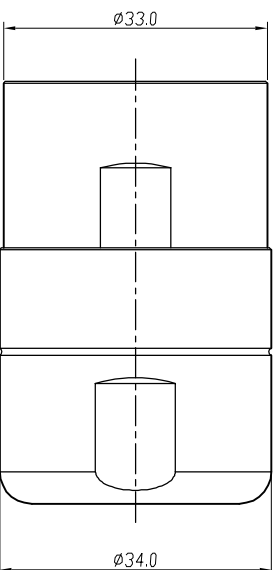
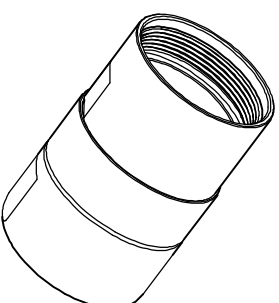
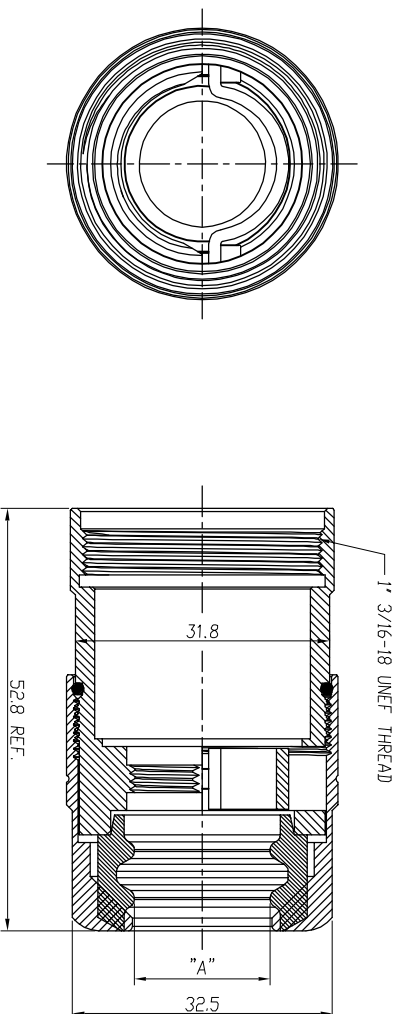


REVISIONS					
REV	ECO	DESCRIPTION	DATE	BY	APPR
B1	-	RELEASE NEW DWG FORMAT	15-Dec-2014	Drack	Tommy
B2	-	Modify rubber material	13-May-2016	Ben	Tommy



NOTES: UNLESS OTHERWISE SPECIFIED

- MATERIAL:
NUT: ZINC DIE CAST OR AL ALLOY, NICKEL PLATED.
O-RING: NBR
SEAL: EPDM
HOUSING BODY: ZINC DIE CAST OR AL ALLOY, NICKEL PLATED
- SPECIFICATIONS:
2.1 DEGREE OF PROTECTION: IP67 (MATED CONDITION)
2.2 ROHS COMPLIANT
- ALL DIMENSIONS ARE FOR REFERENCE USE ONLY.

	Dimension "A"	Cable OD Range
1	RTOL-20CPG-S1	Ø15.8mm 16.0-17.0 mm
2	RTOL-20CPG-S2	Ø20.0 mm 20.5-22.5 mm
3	RTOL-20CPG-S3	Ø13.0mm 13.5-15.0 mm
4	RTOL-20CPG-S5	Ø13.0 mm 13.5-14.0 mm
5	RTOL-20CPG-S6	Ø15.8 mm 16.0-21.0 mm
6	RTOL-20CPG-S8	Ø13.0 mm 11.0-15.0 mm

QUANTITY	SEE PART NUMBER CHART	PART NUMBER	DESCRIPTION	ITM
MATERIALS LIST				
UNLESS OTHERWISE SPECIFIED				
1) All dimensions are in metric(mm).				
2) Tolerances are as follows:				
3) Heat treatment = A				
MATERIAL SPECIFICATIONS:				
PROCESS SPECIFICATIONS:				
NEXT ASST:				
Amphenol				
Site Systems - www.amphenol-slna.com 44724 Morley Drive Clinton Township, MI 48038				
ECCO-MATE CORD GRIP, SIZE 20				
RTOL-20CPG-Sx				
SCALE: NONE				
SHEET 1 OF 1				

TITLE:

ECCO-MATE CORD GRIP, SIZE 20

DWG NO:

RTOL-20CPG-Sx

REV: B2

SH: 1

QF: 1

X-ON Electronics

Largest Supplier of Electrical and Electronic Components

Click to view similar products for [Standard Circular Connector](#) category:

Click to view products by [Amphenol](#) manufacturer:

Other Similar products are found below :

[5M2530B10P](#) [600259N006](#) [600273N007](#) [6134-336-13149](#) [6134-337-11149](#) [6134-337-2390](#) [6134-341-17149](#) [6280-4SG-516](#) [6280-7SG-3DC](#)
[6290](#) [6291A](#) [66200A-10](#) [680-SMG](#) [681-PMG](#) [CXS3102A14S2P](#) [CXS3102A181S](#) [7251-6SG-300](#) [7271-6SG-300](#) [7282-3PG-300-CH3](#) [75-](#)
[474014-05S](#) [75-474618-01S](#) [75-474618-04P](#) [75-474618-04S](#) [799539-000](#) [MI8-SE](#) [805-005-07NF11-19PC](#) [805-005-07NF15-7PA](#) [8280-4PG-](#)
[516](#) [8280-7PG-519](#) [8282-5PG-519](#) [836783-1](#) [MP-4102-25P-C](#) [862256-1](#) [864019-2](#) [866857-1](#) [867865-1](#) [PT01SP-14-18P](#) [PT08P-14-5S](#)
[PTSF06SE-14-12S](#) [120-1833-000](#) [QCM019PC2DC012B](#) [1-2069279-1](#) [121583-0217](#) [121667-0020](#) [129591AU](#) [1000B BULK](#) [RD10A16-19-](#)
[P6CS051/1](#) [RD10A20-31-P8CS051/1](#) [RD16A14-12-S6CS051/2](#) [1301240290](#) [1301240347](#)