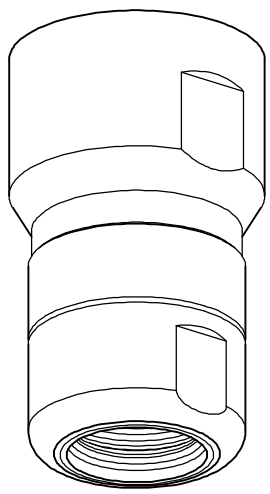
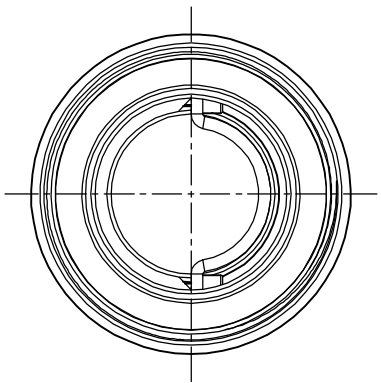
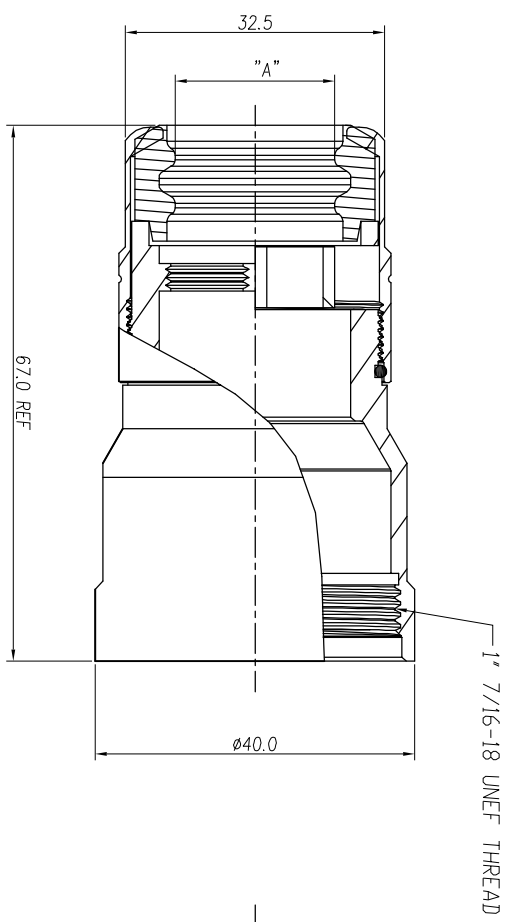


REVISIONS					
REV	ECO	DESCRIPTION	DATE	BY	APPR
A1	-	RELEASE NEW DWG FORMAT	15-SEP-2015	BEN	TOMMY



P/N	Dimension "A"	Cable OD Range
RT0L-24CPG-S1	Ø20.0 mm	20.5~22.5 mm

- NOTES: UNLESS OTHERWISE SPECIFIED
- MATERIAL:
NUT: ZINC DIE CAST OR AL ALLOY, NICKEL PLATED.
SEAL: SILICONE RUBBER
HOUSING BODY: ZINC DIE CAST OR AL ALLOY, NICKEL PLATED
 - SPECIFICATIONS:
2.1 DEGREE OF PROTECTION: IP67 (MATED CONDITION)
2.2 RoHS COMPLIANT
 - ALL DIMENSIONS ARE FOR REFERENCE USE ONLY.

QUANTITY	SEE PART NUMBER CHART	PART NUMBER	DESCRIPTION	ITEM
				1

UNLESS OTHERWISE SPECIFIED			
1) All dimensions are in millimeters.	SIGNATURES	DATE	<p>Amphenol</p> <p>Shia Systems - www.amphenol-shia.com 44724 Motley Drive Clinton Township, MI 48038</p> <p>ECCO-MATE CORD GRIP, SIZE 24</p>
2) Dimensions are as follows: 2 PL DEC 30-15 Angles 31°	DRAWN: BEN	15SEP2015	
3) Note references =	CHECKED:		
	ENGINEER:		
MATERIAL SPECIFICATIONS:	APPROVAL:		CUSTOMER:
PROCESS SPECIFICATIONS:	THIS DRAWING IS SHOWN FOR INFORMATION ONLY. DESIGN FEATURES AND PERFORMANCE DATA ARE SUBJECT TO CHANGE WITHOUT NOTICE. THE APPLICABLE CORPORATION, INHERITS ALL RIGHTS AND RESERVATIONS IN THIS DOCUMENT. MANUFACTURING VARIATIONS:		SIZE: B
NEXT ASST:	SCALE: NONE		TYPE: C-
	DRAW NO: RT0L-24CPG-S1		REVISION: A1
	SHEET: 1		OF: 1

X-ON Electronics

Largest Supplier of Electrical and Electronic Components

Click to view similar products for [Standard Circular Connector](#) category:

Click to view products by [Amphenol](#) manufacturer:

Other Similar products are found below :

[5M2530B10P](#) [600259N006](#) [600273N007](#) [6134-336-13149](#) [6134-337-11149](#) [6134-337-2390](#) [6134-341-17149](#) [6280-4SG-516](#) [6280-7SG-3DC](#)
[6290](#) [6291A](#) [66200A-10](#) [680-SMG](#) [681-PMG](#) [CXS3102A14S2P](#) [CXS3102A181S](#) [7251-6SG-300](#) [7271-6SG-300](#) [7282-3PG-300-CH3](#) [75-](#)
[474014-05S](#) [75-474618-01S](#) [75-474618-04P](#) [75-474618-04S](#) [799539-000](#) [MI8-SE](#) [805-005-07NF11-19PC](#) [805-005-07NF15-7PA](#) [8280-4PG-](#)
[516](#) [8280-7PG-519](#) [8282-5PG-519](#) [836783-1](#) [MP-4102-25P-C](#) [862256-1](#) [864019-2](#) [866857-1](#) [867865-1](#) [PT01SP-14-18P](#) [PT08P-14-5S](#)
[PTSF06SE-14-12S](#) [120-1833-000](#) [QCM019PC2DC012B](#) [1-2069279-1](#) [121583-0217](#) [121667-0020](#) [129591AU](#) [1000B BULK](#) [RD10A16-19-](#)
[P6CS051/1](#) [RD10A20-31-P8CS051/1](#) [RD16A14-12-S6CS051/2](#) [1301240290](#) [1301240347](#)