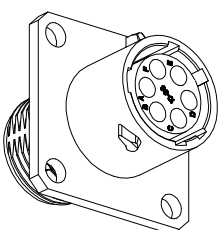
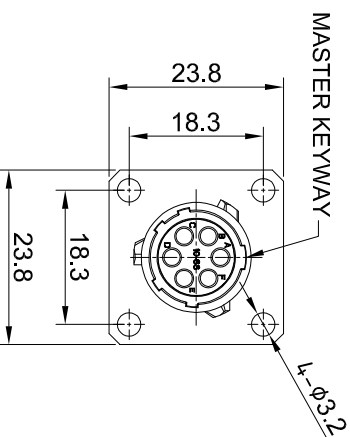
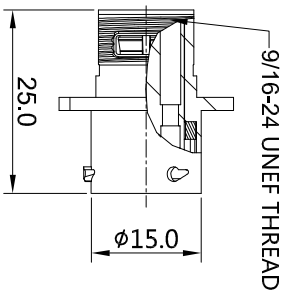
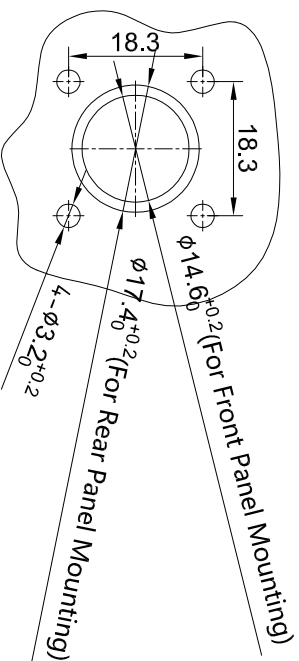


REVISIONS					
REV	ECO	DESCRIPTION	DATE	BY	APPR
B1	-	RELEASED DRAWING	Jun-20-2014	Ben	Tommy
B2	-	MODIFY THE INSERT LETTER LOCATION	May-20-2016	Ben	Tommy



NOTES : (UNLESS OTHERWISE SPECIFIED)

1. MATERIAL :
SHELL : ZINC ALLOY , NICKEL PLATED.
INSERT : THERMOPLASTIC , UL94 V-0.
SEAL GASKET : NBR/SILICONE RUBBER.
2. SPECIFICATIONS :
2.1 RATED CURRENT :
2.1.1 2STAMPED CONTACT : 5A (MAX) .
2.1.2 2MACHINED CONTACT : 7.5A (MAX) .
2.2 RATED VOLTAGE : 150V (AC/DC) .
2.3 OPERATING TEMPERATURE : SEE CHART.
2.4 DIELECTRIC WITHSTANDING VOLTAGE : LESS THAN 2 MILLAMPS CURRENT LEAKAGE@1500 VOLTS AC.
2.5 INSULATION RESISTANCE : 5000 MEGOHMS MIN.
2.6 IP--CLASS : IP67.
2.7 MATING CYCLES DURABILITY : 500 CYCLES(MIN).
2.8 ROHS COMPLIANT.
3. SUITABLE CONTACTS : 20# CONTACTS.
4. ALL DIMENSIONS ARE FOR REFERENCE USE ONLY.



KEY POS	PART NUMBER
-40°C ~ 105°C	-40°C ~ 125°C
N	RT0W0106SN RT0W0106SN03
W	RT0W0106SW RT0W0106SW03
X	RT0W0106SX RT0W0106SX03
Y	RT0W0106SY RT0W0106SY03
Z	RT0W0106SZ RT0W0106SZ03

PANEL CUT OUT REFERENCE

QUANTITY	SEE PART NUMBER CHART	PART NUMBER	DESCRIPTION	ITEM

MATERIALS LIST

UNLESS OTHERWISE SPECIFIED	SIGNATURES	DATE
1) All dimensions are in millimeter. 2) Tolerances are as follows: 1 PL DEC 20.00 Fractions 1/164 2 PL DEC 20.00 Fractions 1/164 3 PL DEC 20.08 Fractions 1/164 3) Note reference =	DRAWN: Ben CHECKED: ENGINEER: APPROVAL: CUSTOMER:	May-20-2016

PROCESS SPECIFICATIONS:	THIS DRAWING IS SUPPLIED FOR YOUR USE. SPECIFICATIONS AND PERFORMANCE DATA SHOWN HEREON ARE THE PROPERTY OF AMPHENOL. REPRODUCTION OR REPRODUCTION OF THIS DRAWING OR DIMENSIONS ARE SUBJECT TO NORMAL MANUFACTURING VARIATIONS.	SIZE	TYPE	DWG NO:	REVISION
NEXT ASSY.		B	C-	RT0W0106S**	B2
		SCALE: NONE			SHEET 1 OF 1

ECO-MATE, RECEPTACLE, SOCKET, 6POS, SIZE 10.

Amphenol

Sine Systems - www.amphenol-sine.com
44724 Worley Drive
Clinton Township, MI 48036

X-ON Electronics

Largest Supplier of Electrical and Electronic Components

Click to view similar products for [Standard Circular Connector](#) category:

Click to view products by [Amphenol](#) manufacturer:

Other Similar products are found below :

[600273N007](#) [6134-336-13149](#) [6134-337-11149](#) [6134-337-2390](#) [6134-341-17149](#) [67-02E12-60PX](#) [680-SMG](#) [CXS3102A181S](#)
[D38999/20FC8SA L/C](#) [75-190216-08S](#) [75-190611-03S](#) [75-474014-05S](#) [75-474618-04S](#) [75-474620-07P](#) [799539-000](#) [805-005-07NF11-19PC](#)
[805-005-07NF15-7PA](#) [FMP.2M.310.XLCT](#) [836783-1](#) [862256-1](#) [866857-1](#) [867865-1](#) [PT08P-14-19S](#) [PT08P-14-5S](#) [QCM019PC2DC012B](#)
[121583-0217](#) [121667-0020](#) [RD10A16-19-P6CS051/1](#) [RD16A14-12-S6CS051/2](#) [1301240268](#) [1301240275](#) [1301860906](#) [DCU-08BFEA-](#)
[LL7001](#) [RM15WTP-CP\(5\)\(71\)](#) [14482](#) [16283-18](#) [1877910-1](#) [206039-3](#) [206323-1](#) [207002-2](#) [207682-1](#) [CA06COME14SA7P](#) [211777-1](#) [JL04-](#)
[1012CK\(05\)-R](#) [JL04V-2A28-11PE-R](#) [JL04V-2E10SL-3PE-B-R](#) [JL04V-2E20-15PE-B-R](#) [JL04V-2E20-4PE-B-R](#) [JL04V-2E24-10PE\(G\)-B-R](#)
[JL04V-6A24-11SE-EB-R](#)