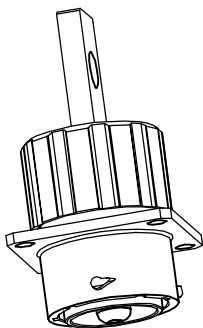
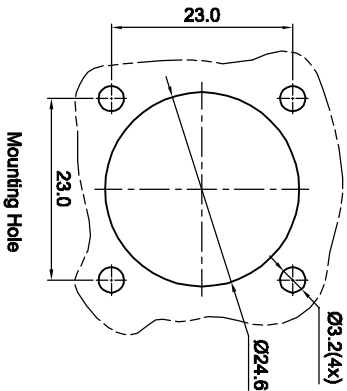
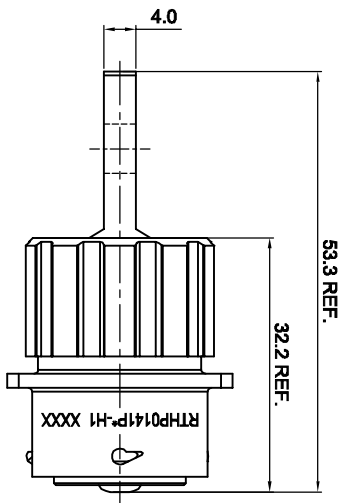
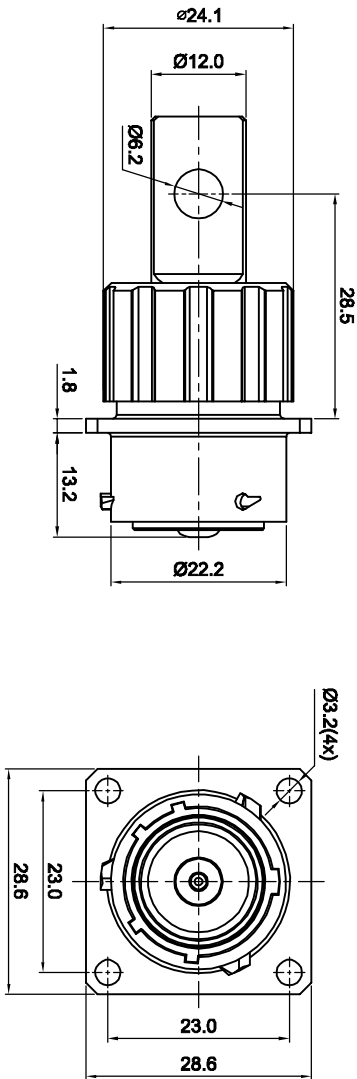


REVISIONS				
REV	ECO	DESCRIPTION	DATE	BY APPR
B1	-	RELEASE NEW DWG FORMAT	08/14/14	DRACK TOMMY



- NOTES:
- MATERIAL:
 - 1.1 HOUSING BODY: ZINC DIE-CAST, NICKEL PLATED
 - 1.2 INSULATION INSERT: PA66 UL94 V0
 - 1.3 CONTACT: COPPER ALLOY, SILVER PLATED
 - 1.4 SEAL: SILICONE RUBBER
 - SPECIFICATIONS:
 - 2.1 CURRENT RATING: 120 AMPS MAX.
 - 2.2 VOLTAGE RATING: 690 V AC/DC
 - 2.3 OPERATING TEMPERATURE: -40°C TO +125°C
 - 2.4 DIELECTRIC WITHSTANDING VOLTAGE:
 - LESS THAN 2 MILLIAMPS CURRENT LEAKAGE @ 5000 VOLTS AC
 - 2.5 DEGREE OF PROTECTION: IP67 (MATED CONDITION)
 - 2.6 DEGREE OF POLLUTION: 3 PER UL840
 - 2.7 OVERVOLTAGE CATEGORY: III PER UL840
 - 2.8 MATING CYCLE DURABILITY: >100 CYCLES
 - 2.9 RoHS COMPLIANT
 - ALL DIMENSIONS ARE FOR REFERENCE USE ONLY.
 - *** DENOTE KEY POSITION OF 'N', 'W', 'X', 'Y' OR 'Z'.
 - CONTACT P/N: HPBHS

KEY POS	PART NO.
N	RTHP014PN-H1
W	RTHP014PW-H1
X	RTHP014PX-H1
Y	RTHP014PY-H1
Z	RTHP014PZ-H1

Mounting Hole

MATERIALS LIST

QUANTITY	SEE PART NUMBER CHART	PART NUMBER	DESCRIPTION	ITEM
<p>UNLESS OTHERWISE SPECIFIED</p> <p>1) All dimensions are in millimeters.</p> <p>2) Tolerances are as follows: ±.154</p> <p>3) Hole reference = Δ</p> <p>4) Hole reference = Δ</p> <p>5) Hole reference = Δ</p>				
<p>MATERIAL SPECIFICATIONS:</p> <p>CUSTOMER: _____</p> <p>APPROVAL: _____</p> <p>DESIGNER: _____</p> <p>CHECKER: _____</p> <p>DATE: 08/14/14</p> <p>TEAM: Drack</p>				
<p>PROCESS SPECIFICATIONS:</p> <p>THIS DRAWING IS SUPPLIED FOR INFORMATION ONLY. DESIGN FEATURES, SPECIFICATIONS AND PERFORMANCE DATA ARE SUBJECT TO CHANGE WITHOUT NOTICE. THE APPLICABLE COMPANY, NO RIGHTS OR RESERVATIONS ARE MADE. ALL MANUFACTURING VARIATIONS.</p> <p>PROCESS: _____</p> <p>SCALE: 3:2</p> <p>SIZE: B</p> <p>TYPE: C-</p> <p>DWG NO: RTHP014P*H1</p> <p>REVISION: B1</p>				
<p>ECO-MATE RECEPTACLE 6mm SINGLE PIN CONTACT, FLATE HOLE TYPE FLANGE WALL MOUNTING</p> <p>Shia Systems - www.amphenol-shia.com</p> <p>44724 Midway Drive</p> <p>Clinton Township, MI 48038</p>				

X-ON Electronics

Largest Supplier of Electrical and Electronic Components

Click to view similar products for [Standard Circular Connector](#) category:

Click to view products by [Amphenol](#) manufacturer:

Other Similar products are found below :

[600273N007](#) [6134-336-13149](#) [6134-337-11149](#) [6134-337-2390](#) [6134-341-17149](#) [67-02E12-60PX](#) [680-SMG](#) [CXS3102A181S](#)
[D38999/20FC8SA L/C](#) [75-190216-08S](#) [75-190611-03S](#) [75-474014-05S](#) [75-474618-04S](#) [75-474620-07P](#) [799539-000](#) [805-005-07NF11-19PC](#)
[805-005-07NF15-7PA](#) [FMP.2M.310.XLCT](#) [836783-1](#) [862256-1](#) [866857-1](#) [867865-1](#) [PT08P-14-19S](#) [PT08P-14-5S](#) [QCM019PC2DC012B](#)
[121583-0217](#) [121667-0020](#) [RD10A16-19-P6CS051/1](#) [RD16A14-12-S6CS051/2](#) [1301240268](#) [1301240275](#) [1301860906](#) [DCU-08BFEA-](#)
[LL7001](#) [RM15WTP-CP\(5\)\(71\)](#) [14482](#) [16283-18](#) [1877910-1](#) [206039-3](#) [206323-1](#) [207002-2](#) [207682-1](#) [CA06COME14SA7P](#) [211777-1](#) [JL04-](#)
[1012CK\(05\)-R](#) [JL04V-2A28-11PE-R](#) [JL04V-2E10SL-3PE-B-R](#) [JL04V-2E20-15PE-B-R](#) [JL04V-2E20-4PE-B-R](#) [JL04V-2E24-10PE\(G\)-B-R](#)
[JL04V-6A24-11SE-EB-R](#)