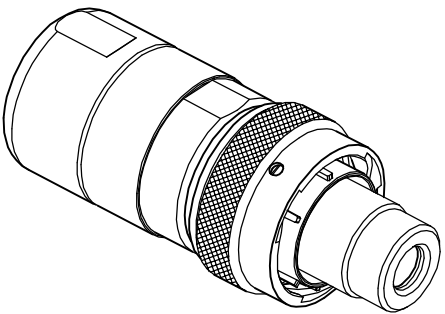
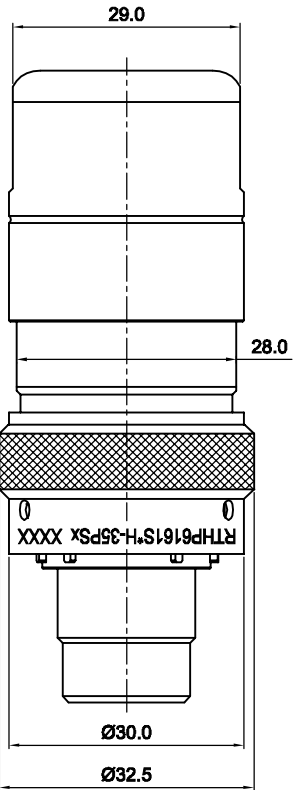
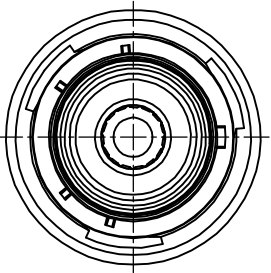
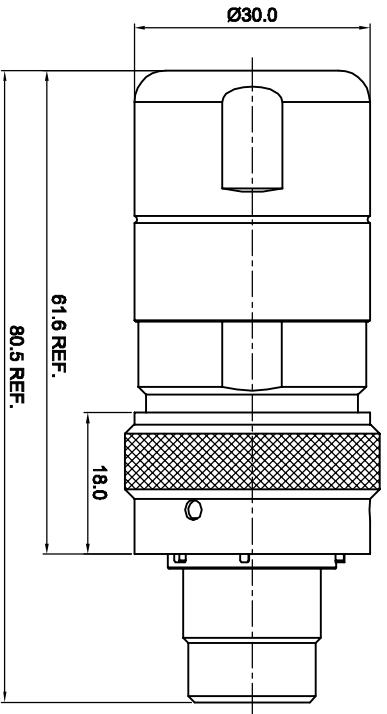


REVISIONS				
REV	ECO	DESCRIPTION	DATE	BY APPR
B1	-	RELEASE NEW DWG FORMAT	08/14/14	DRACK TOMMY



KEY POS	PART NO.	Cable OD Range
N	RTHP6161SNH-35PS2	
W	RTHP6161SMH-35PS2	
X	RTHP6161SXH-35PS2	13.5-15.0 mm
Y	RTHP6161SYH-35PS2	
Z	RTHP6161SZH-35PS2	

- NOTES:
1. MATERIAL:
- 1.1 HOUSING BODY: ZINC DIE-CAST, NICKEL PLATED
 - 1.2 COUPLING NUT: AL ALLOY, NICKEL PLATED
 - 1.3 INSULATION INSERT: PA66, UL94 V0
 - 1.4 CONTACT: COPPER ALLOY, SILVER PLATED
 - 1.5 SEAL: SILICONE RUBBER

2. SPECIFICATIONS:
- 2.1 CURRENT RATING: 130 AMPS MAX.
 - 2.2 VOLTAGE RATING: 690 V AC/DC
 - 2.3 OPERATING TEMPERATURE: -40°C TO +125°C
 - 2.4 DIELECTRIC WITHSTANDING VOLTAGE:
LESS THAN 2 MILLIAMPS CURRENT LEAKAGE @ 5000 VOLTS AC
 - 2.5 DEGREE OF PROTECTION: IP67 (MATED CONDITION)
 - 2.6 DEGREE OF POLLUTION: 3 PER UL840
 - 2.7 OVERVOLTAGE CATEGORY: III PER UL840
 - 2.8 MATING CYCLE DURABILITY: >100 CYCLES
 - 2.9 RoHS COMPLIANT

3. ALL DIMENSIONS ARE FOR REFERENCE USE ONLY.
4. **** DENOTE KEY POSITION OF "N", "W", "X", "Y" OR "Z".
5. CONTACT P/N: HS35CCS

QUANTITY	SEE PART NUMBER CHART	DESCRIPTION	ITER
MATERIALS LIST			

Amphenol

Sales Systems - www.amphenol-eline.com
44724 Moberly, Dtnv
Clinton Township, MI 48036

ECO-MATE PLUG, 6mm RADSOX,
CRIMP TYPE, SHIELDING, COND GRIP

UNLESS OTHERWISE SPECIFIED	SIGNATURES	DATE	SCALE	SIZE	TYPE	DRWG NO.	REVISION
1) All dimensions are in millimeters. 2) Tolerances are as follows: 1 PL, DEC 20-30 2 PL, DEC 20-30 3 PL, DEC 20-30 3) Hole reference = Δ	DRWNG: Drgk CHECKER: ENGINEER: APPROVAL:	08/14/14	3:2	B	C-	RTHP6161SXH-35PSX	B1

PROCESS SPECIFICATIONS:
NEXT ASBY:

THIS DRAWING IS SUPPLIED FOR YOUR INFORMATION ONLY. IT IS NOT TO BE USED FOR REPRODUCTION OR PERFORMANCE DATA. DIMENSIONS ARE SUBJECT TO NORMAL MANUFACTURING VARIATIONS.

X-ON Electronics

Largest Supplier of Electrical and Electronic Components

Click to view similar products for [Standard Circular Connector](#) category:

Click to view products by [Amphenol](#) manufacturer:

Other Similar products are found below :

[600273N007](#) [6134-336-13149](#) [6134-337-11149](#) [6134-337-2390](#) [6134-341-17149](#) [67-02E12-60PX](#) [680-SMG](#) [CXS3102A181S](#)
[D38999/20FC8SA L/C](#) [75-190216-08S](#) [75-190611-03S](#) [75-474014-05S](#) [75-474618-04S](#) [75-474620-07P](#) [799539-000](#) [805-005-07NF11-19PC](#)
[805-005-07NF15-7PA](#) [FMP.2M.310.XLCT](#) [836783-1](#) [862256-1](#) [866857-1](#) [867865-1](#) [PT08P-14-19S](#) [PT08P-14-5S](#) [QCM019PC2DC012B](#)
[121583-0217](#) [121667-0020](#) [RD10A16-19-P6CS051/1](#) [RD16A14-12-S6CS051/2](#) [1301240268](#) [1301240275](#) [1301860906](#) [DCU-08BFEA-](#)
[LL7001](#) [RM15WTP-CP\(5\)\(71\)](#) [14482](#) [16283-18](#) [1877910-1](#) [206039-3](#) [206323-1](#) [207002-2](#) [207682-1](#) [CA06COME14SA7P](#) [211777-1](#) [JL04-](#)
[1012CK\(05\)-R](#) [JL04V-2A28-11PE-R](#) [JL04V-2E10SL-3PE-B-R](#) [JL04V-2E20-15PE-B-R](#) [JL04V-2E20-4PE-B-R](#) [JL04V-2E24-10PE\(G\)-B-R](#)
[JL04V-6A24-11SE-EB-R](#)