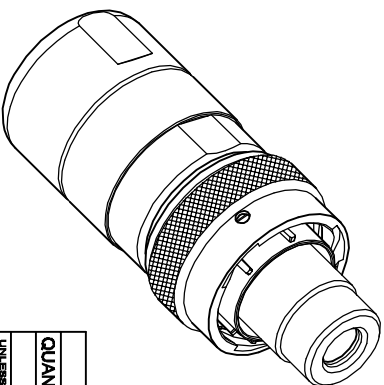
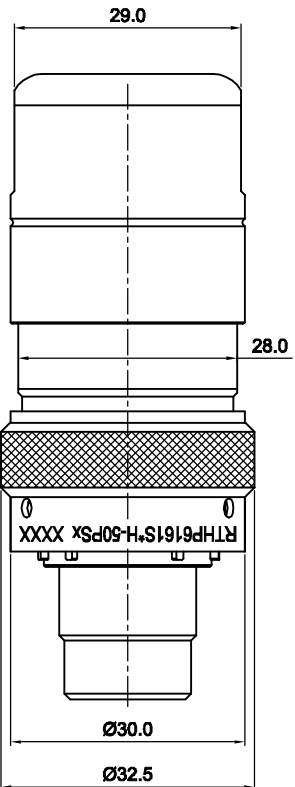
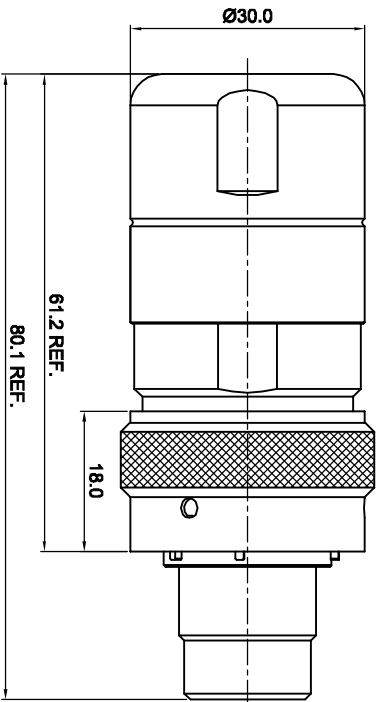
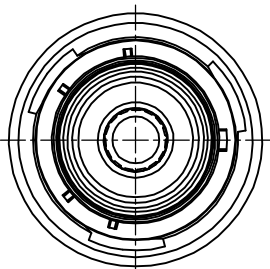


REVISIONS					
REV	ECO	DESCRIPTION	DATE	BY	APPR
B1	-	RELEASE NEW DWG FORMAT	08/14/14	DRACK	TOMMY



- NOTES:**
- MATERIAL:**
 - 1.1 HOUSING BODY: ZINC DIE-CAST, NICKEL PLATED
 - 1.2 COUPLING NUT: AL ALLOY, NICKEL PLATED
 - 1.3 INSULATION INSERT: PA66 UL 94 V0
 - 1.4 CONTACT: COPPER ALLOY, SILVER PLATED
 - 1.5 SEAL: SILICONE RUBBER
 - SPECIFICATIONS:**
 - 2.1 CURRENT RATING: 180 AMPS MAX.
 - 2.2 VOLTAGE RATING: 630 V AC/DC
 - 2.3 OPERATING TEMPERATURE: -40°C TO +125°C
 - 2.4 DIELECTRIC WITHSTANDING VOLTAGE: LESS THAN 2 MILLIAMPS CURRENT LEAKAGE @ 5000 VOLTS AC
 - 2.5 DEGREE OF PROTECTION: IP67 (MATED CONDITION)
 - 2.6 DEGREE OF POLLUTION: 3 PER UL840
 - 2.7 OVERVOLTAGE CATEGORY: III PER UL840
 - 2.8 MATING CYCLE DURABILITY: >100 CYCLES
 - 2.9 ROHS COMPLIANT
 - ALL DIMENSIONS ARE FOR REFERENCE USE ONLY.
 - ^{###} DENOTE KEY POSITION OF "N", "W", "X", "Y" OR "Z".
 - CONTACT PN: HSS0CCS

KEY POS	PART NO.	Cable OD Range
N	RTHP6161SNH-50PS2	
W	RTHP6161SMH-50PS2	
X	RTHP6161SXH-50PS2	16.0-17.0 mm
Y	RTHP6161SYH-50PS2	
Z	RTHP6161SZH-50PS2	

QUANTITY	SEE PART NUMBER CHART	PART NUMBER	DESCRIPTION	ITEM
MATERIALS LIST				

UNLESS OTHERWISE SPECIFIED
 1) All dimensions are in millimeters.
 2) Tolerances are as follows:
 3 M, DEC 24.15
 3 M, DEC 45.08
 3) Hole reference = A

MATERIAL SPECIFICATIONS:
 PROCESS SPECIFICATIONS:
 TEST METHOD:

THE DRAWING IS SUBMITTED FOR INFORMATION ONLY. DESIGN FEATURES, SPECIFICATIONS AND PERFORMANCE DATA ARE SUBJECT TO CHANGE WITHOUT NOTICE. THE MANUFACTURER ASSUMES NO LIABILITY FOR REPRODUCTION AND ALL RIGHTS OF INVENTION ARE RESERVED.

DATE: 08/14/14
 DRAWN: DRACK
 CHECKED:
 ENGINEER:
 APPROVAL:

CUSTOMER: ECO-MATE PLUG, 6mm RADSOCK, CRIMP TYPE, SHIELDING, CORD GRIP

Site Systems - www.amphenol-she.com
 44724 Morley Drive
 Clinton Township, MI 48035

SCALE: 3 : 2
 SHEET: 1 OF 1

REVISION: B1

REV	ECO	DESCRIPTION	DATE	BY	APPR
B1	-	RELEASE NEW DWG FORMAT	08/14/14	DRACK	TOMMY

X-ON Electronics

Largest Supplier of Electrical and Electronic Components

Click to view similar products for [Standard Circular Connector](#) category:

Click to view products by [Amphenol](#) manufacturer:

Other Similar products are found below :

[600273N007](#) [6134-336-13149](#) [6134-337-11149](#) [6134-337-2390](#) [6134-341-17149](#) [67-02E12-60PX](#) [680-SMG](#) [CXS3102A181S](#)
[D38999/20FC8SA L/C](#) [75-190216-08S](#) [75-190611-03S](#) [75-474014-05S](#) [75-474618-04S](#) [75-474620-07P](#) [799539-000](#) [805-005-07NF11-19PC](#)
[805-005-07NF15-7PA](#) [FMP.2M.310.XLCT](#) [836783-1](#) [862256-1](#) [866857-1](#) [867865-1](#) [PT08P-14-19S](#) [PT08P-14-5S](#) [QCM019PC2DC012B](#)
[121583-0217](#) [121667-0020](#) [RD10A16-19-P6CS051/1](#) [RD16A14-12-S6CS051/2](#) [1301240268](#) [1301240275](#) [1301860906](#) [DCU-08BFEA-](#)
[LL7001](#) [RM15WTP-CP\(5\)\(71\)](#) [14482](#) [16283-18](#) [1877910-1](#) [206039-3](#) [206323-1](#) [207002-2](#) [207682-1](#) [CA06COME14SA7P](#) [211777-1](#) [JL04-](#)
[1012CK\(05\)-R](#) [JL04V-2A28-11PE-R](#) [JL04V-2E10SL-3PE-B-R](#) [JL04V-2E20-15PE-B-R](#) [JL04V-2E20-4PE-B-R](#) [JL04V-2E24-10PE\(G\)-B-R](#)
[JL04V-6A24-11SE-EB-R](#)