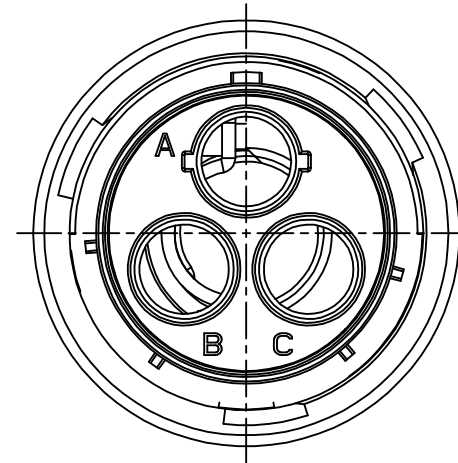
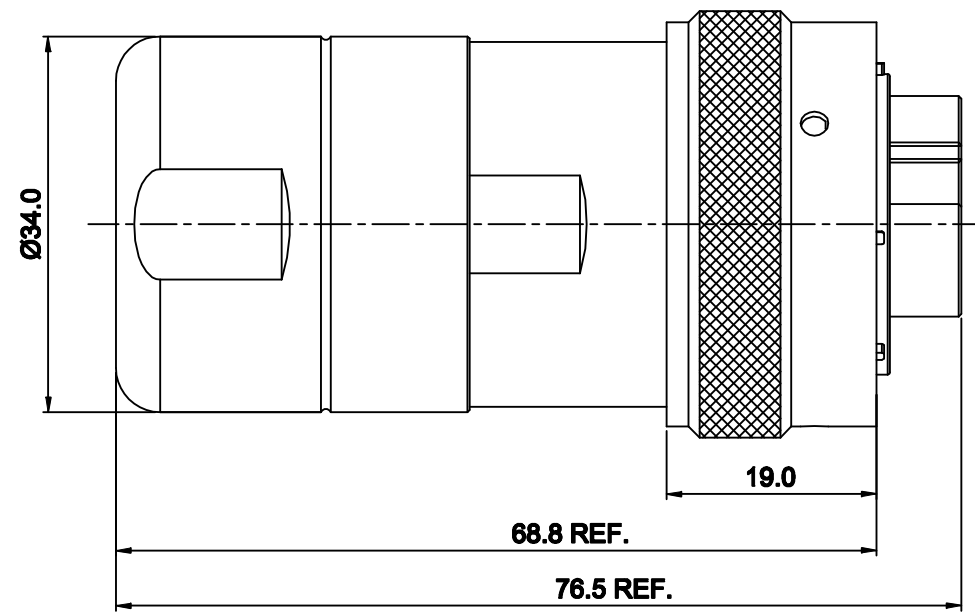


REVISIONS					
REV	ECO	DESCRIPTION	DATE	BY	APPR
B1	-	RELEASE NEW DWG FORMAT	08/14/14	DRACK	TOMMY



NOTES:

1. MATERIAL:

- 1.1 HOUSING BODY: ZINC DIE-CAST, NICKEL PLATED
- 1.2 COUPLING NUT: ALLOY, NICKEL PLATED
- 1.3 INSULATION INSERT: PA66,UL94 V0
- 1.4 CONTACT: COPPER ALLOY, SILVER PLATED
- 1.5 SEAL: SILICONE RUBBER

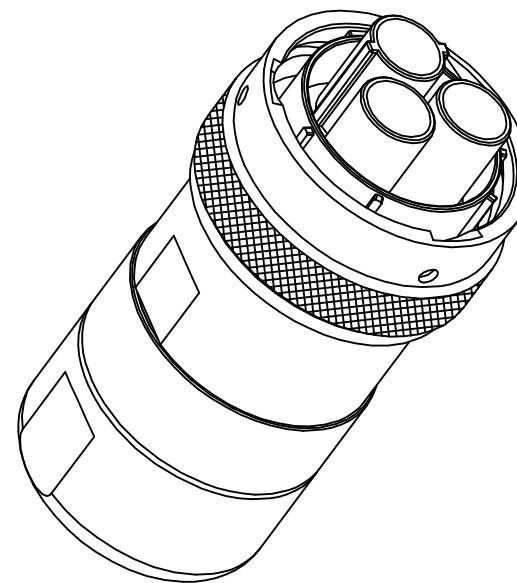
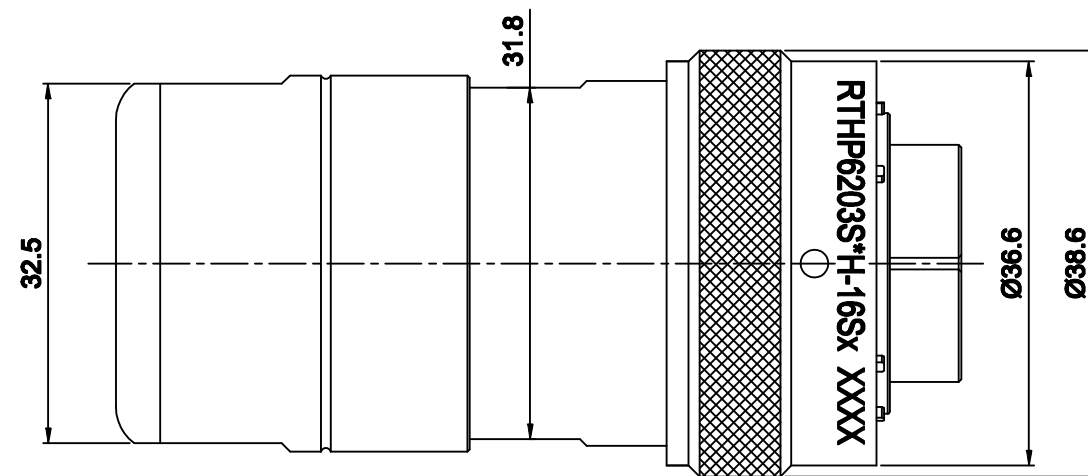
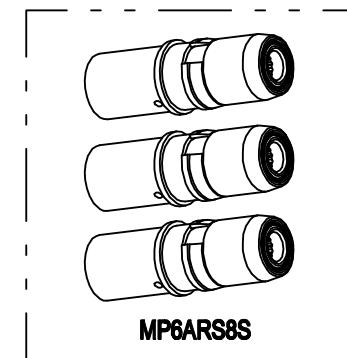
2. SPECIFICATIONS:

- 2.1 CURRENT RATING: 86A MAX.
- 2.2 VOLTAGE RATING: 630V AC/DC.
- 2.3 OPERATING TEMPERATURE: -40C TO +125C.
- 2.4 DIELECTRIC WITHSTANDING VOLTAGE: LESS THAN 2 MILLIAMPS CURRENT LEAKAGE @ 5000V AC.
- 2.5 DEGREE OF PROTECTION: IP67 (MATED CONDITION)
- 2.6 DEGREE OF POLLUTION: 3 PER UL840
- 2.7 OVERVOLTAGE CATEGORY: III PER UL840
- 2.8 MATING CYCLE DURABILITY:>100 CYCLES
- 2.9 RoHS COMPLIANT

3. ALL DIMENSIONS ARE FOR REFERENCE USE ONLY.

4. "*" DENOTE KEY POSITION OF N,W,X,Y, OR Z.

5. INCLUDES 3 PIECES OF MS6ARS8S.



KEY POS	PART NO.	Cable OD Range
N	RTHP6203SNH-16S2	13.5-14.0 mm
W	RTHP6203SWH-16S2	
X	RTHP6203SXH-16S2	
Y	RTHP6203SYH-16S2	
Z	RTHP6203SZH-16S2	

QUANTITY	SEE PART NUMBER CHART	DESCRIPTION	ITEM								
MATERIALS LIST											
<small>UNLESS OTHERWISE SPECIFIED</small> 1) All dimensions are in metric(mm). 2) Tolerances are as follows: 1 PL DEC ±0.30 2 PL DEC ±0.15 3 PL DEC ±0.08 3) Note reference = $\triangle X$		SIGNATURES DRAWN: Drack CHECKED: ENGINEER: APPROVAL: DATE 08/14/14	<h1>Amphenol</h1> Sine Systems - www.amphenol-sine.com 44724 Morley Drive Clinton Township, MI 48036								
MATERIAL SPECIFICATIONS: PROCESS SPECIFICATIONS: NEXT ASSY:		CUSTOMER: THIS DRAWING IS SUPPLIED FOR INFORMATION ONLY. DESIGN FEATURES, SPECIFICATIONS AND PERFORMANCE DATA SHOWN HEREON ARE THE PROPERTY OF THE AMPHENOL CORPORATION. NO RIGHTS OF REPRODUCTION ARE IMPLIED. ALL DIMENSIONS ARE SUBJECT TO NORMAL MANUFACTURING VARIATIONS.									
		ECO-MATE,PLUG,3.6MM RADSOK,3POS CRIMP TYPE,SHIELDING,CORD GRIP	<table border="1"> <tr> <td>SIZE</td> <td>TYPE</td> <td>DWG NO.</td> <td>REVISION</td> </tr> <tr> <td>B</td> <td>C-</td> <td>RTHP6203S*H-16Sx</td> <td>B1</td> </tr> </table>	SIZE	TYPE	DWG NO.	REVISION	B	C-	RTHP6203S*H-16Sx	B1
SIZE	TYPE	DWG NO.	REVISION								
B	C-	RTHP6203S*H-16Sx	B1								
		SCALE: 3:2	SHEET 1 of 1								

TITLE: ECO-MATE,PLUG,3.6MM RADSOK,3POS,CRIMP TYPE,SHIELDING,CORD GRIP
 DWG NO: RTHP6203S*H-16Sx
 REV: B1
 SH: 1
 OF: 1

X-ON Electronics

Largest Supplier of Electrical and Electronic Components

Click to view similar products for [Standard Circular Connector](#) category:

Click to view products by [Amphenol](#) manufacturer:

Other Similar products are found below :

[5M2530B10P](#) [600259N006](#) [600273N007](#) [6134-336-13149](#) [6134-337-11149](#) [6134-337-2390](#) [6134-341-17149](#) [6280-4SG-516](#) [6280-7SG-3DC](#)
[6290](#) [6291A](#) [66200A-10](#) [680-SMG](#) [681-PMG](#) [CXS3102A14S2P](#) [CXS3102A181S](#) [7251-6SG-300](#) [7271-6SG-300](#) [7282-3PG-300-CH3](#) [75-](#)
[474014-05S](#) [75-474618-01S](#) [75-474618-04P](#) [75-474618-04S](#) [799539-000](#) [MI8-SE](#) [805-005-07NF11-19PC](#) [805-005-07NF15-7PA](#) [8280-4PG-](#)
[516](#) [8280-7PG-519](#) [8282-5PG-519](#) [836783-1](#) [MP-4102-25P-C](#) [862256-1](#) [864019-2](#) [866857-1](#) [867865-1](#) [PT01SP-14-18P](#) [PT08P-14-5S](#)
[PTSF06SE-14-12S](#) [120-1833-000](#) [QCM019PC2DC012B](#) [1-2069279-1](#) [121583-0217](#) [121667-0020](#) [129591AU](#) [1000B BULK](#) [RD10A16-19-](#)
[P6CS051/1](#) [RD10A20-31-P8CS051/1](#) [RD16A14-12-S6CS051/2](#) [1301240290](#) [1301240347](#)