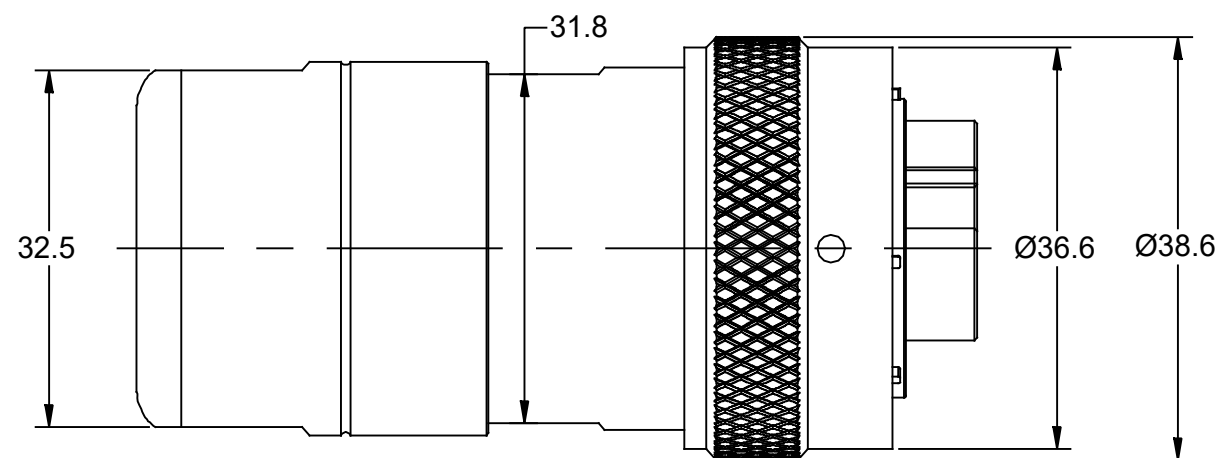
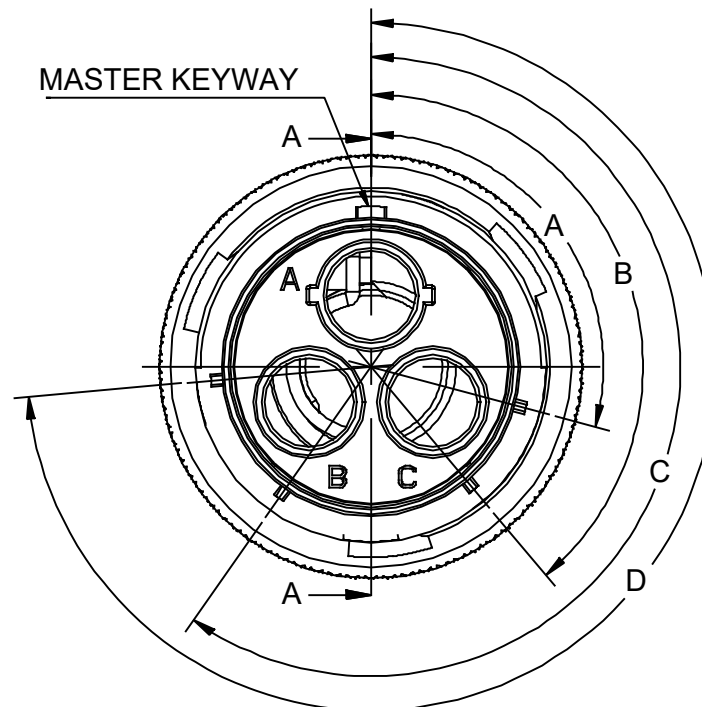
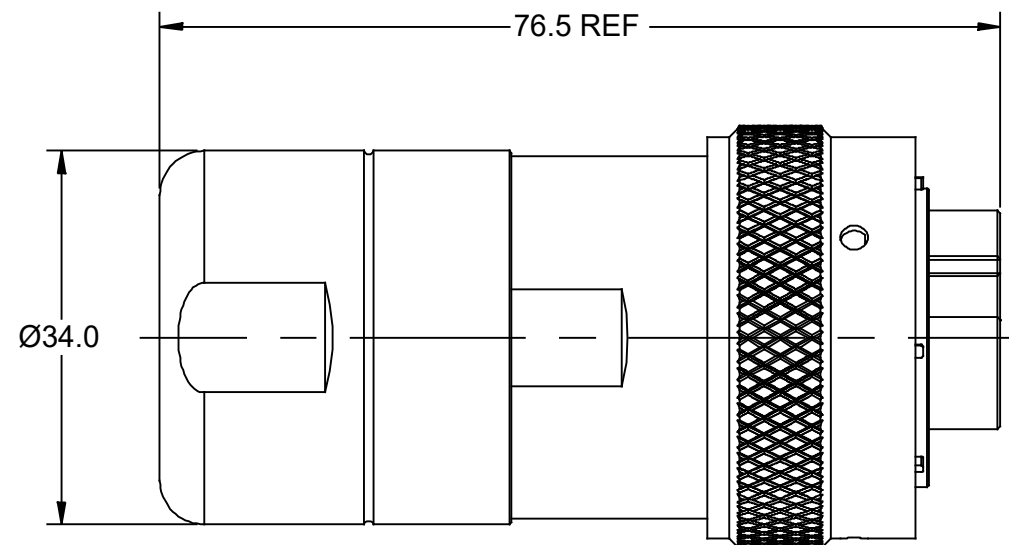
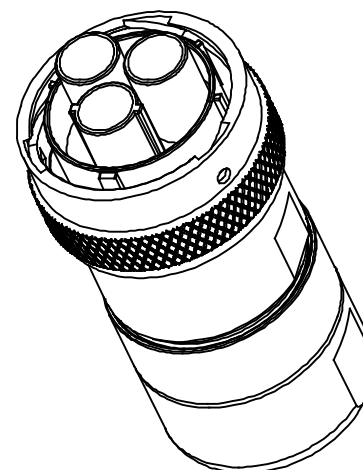


REVISIONS					
REV	ECO	DESCRIPTION	DATE	BY	APPR
A1	-	RELEASED DRAWING	Sep-25-2020	Ronald	Tommy



NOTES:

- MATERIAL:**
 - HOUSING BODY: ZINC DIE- CAST, NICKEL PLATED
 - COUPLING NUT: AL ALLOY, NICKEL PLATED
 - INSULATION INSERT: PA66 ,UL94 V0
 - SEAL: SILICONE RUBBER
- SPECIFICATIONS:**
 - CURRENT RATING: 86 AMPS MAX.
 - VOLTAGE RATING: 630 V A C/DC
 - OPERATING TEMPERATURE: -40°C TO +125°C
 - DIELECTRIC WITHSTANDING VOLTAGE: LESS THAN 2 MILLIAMPS CURRENT LEAKAGE @ 5000 VOLTS A C
 - DEGREE OF PROTECTION: I P67 (MATED CONDITION)
 - DEGREE OF POLLUTION: 3 PER UL840
 - OVERVOLTAGE CATEGORY: I II PER UL840
 - MATING CYCLE DURABILITY : >100 CYCLES
 - RoHS COMPLIANT
- ALL DIMENSIONS ARE FOR REFERENCE USE ONLY.
- "*" DENOTE KEY POSITION OF "N ", "W", "X", "Y" OR "Z".



KEY POS	PART NUMBER	A	B	C	D	CABLE OD RANGE
N	RTHP6203SNH-S2	105°	140°	215°	265°	13.5-14mm
W	RTHP6203SWH-S2	79°	140°	215°	265°	
X	RTHP6203SXH-S2	105°	126°	215°	265°	
Y	RTHP6203SYH-S2	105°	140°	215°	259°	
Z	RTHP6203SZH-S2	105°	140°	215°	330°	

QUANTITY	PART NUMBER	DESCRIPTION	ITEM
MATERIALS LIST			
UNLESS OTHERWISE SPECIFIED		SIGNATURES	
1) All dimensions are in metric(mm).		DRAWN: Ronald	DATE: Sep-25-2020
2) Tolerances are as follows:		CHECKED: Flan	DATE: Sep-27-2020
1 PL DEC ±0.30		ENGINEER:	
2 PL DEC ±0.15		APPROVAL: Tommy	DATE: Sep-28-2020
3 PL DEC ±0.05		CUSTOMER:	
3) Note reference =		THIS DRAWING IS SUPPLIED FOR INFORMATION ONLY. DESIGN FEATURE SPECIFICATIONS AND PERFORMANCE D SHOWN HEREON ARE THE PROPERTY OF THE AMPHENOL CORPORATION. NO RIGHT OF REPRODUCTION ARE IMPLIED. ALL DIMENSIONS ARE SUBJECT TO NORMAL MANUFACTURING VARIATIONS.	
MATERIAL SPECIFICATIONS:		S. ATA HTS	
PROCESS SPECIFICATIONS:		SCALE: NONE	
NEXT ASSY:		SHEET 1 OF 1	

Amphenol

Sine Systems - www.amphenol-sine.com
44724 Morley Drive
Clinton Township, MI 48036

3 Position Plug, Female, Size 8 (3.6mm), shell
Size 20, with Radsok® Technology, High
Amperage, 630V

SIZE	B C-	DWG NO:	RTHP6203S*H-Sx	REVISION	A1
-------------	-------------	----------------	-----------------------	-----------------	-----------

TITLE: ECONATE RM HIGH AMP PLUG SIZE 20, 3POS, MDC, SHIELD & SHIELDING
DWG NO: RTHP6203S*H-Sx
REV: A1
SH: 1
OF: 1

X-ON Electronics

Largest Supplier of Electrical and Electronic Components

Click to view similar products for [Standard Circular Connector](#) category:

Click to view products by [Amphenol](#) manufacturer:

Other Similar products are found below :

[5M2530B10P](#) [600259N006](#) [600273N007](#) [6134-336-13149](#) [6134-337-11149](#) [6134-337-2390](#) [6134-341-17149](#) [6280-4SG-516](#) [6280-7SG-3DC](#)
[6290](#) [6291A](#) [66200A-10](#) [680-SMG](#) [681-PMG](#) [CXS3102A14S2P](#) [CXS3102A181S](#) [7251-6SG-300](#) [7271-6SG-300](#) [7282-3PG-300-CH3](#) [75-](#)
[474014-05S](#) [75-474618-01S](#) [75-474618-04P](#) [75-474618-04S](#) [799539-000](#) [MI8-SE](#) [805-005-07NF11-19PC](#) [805-005-07NF15-7PA](#) [8280-4PG-](#)
[516](#) [8280-7PG-519](#) [8282-5PG-519](#) [836783-1](#) [MP-4102-25P-C](#) [862256-1](#) [864019-2](#) [866857-1](#) [867865-1](#) [PT01SP-14-18P](#) [PT08P-14-5S](#)
[PTSF06SE-14-12S](#) [120-1833-000](#) [QCM019PC2DC012B](#) [1-2069279-1](#) [121583-0217](#) [121667-0020](#) [129591AU](#) [1000B BULK](#) [RD10A16-19-](#)
[P6CS051/1](#) [RD10A20-31-P8CS051/1](#) [RD16A14-12-S6CS051/2](#) [1301240290](#) [1301240347](#)