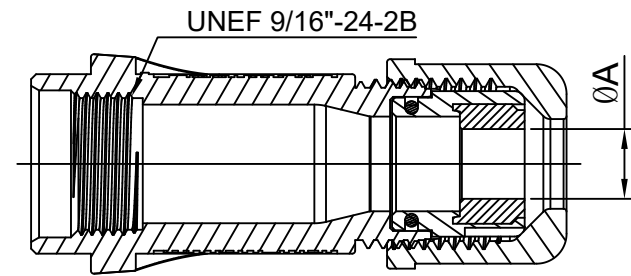
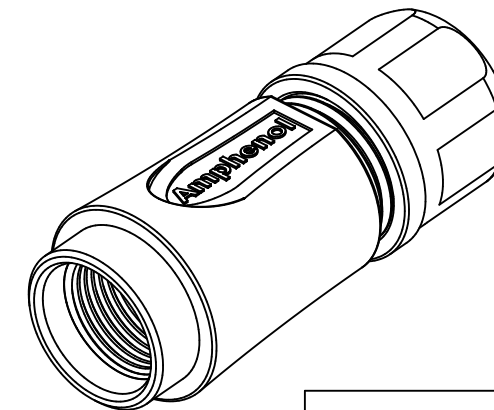
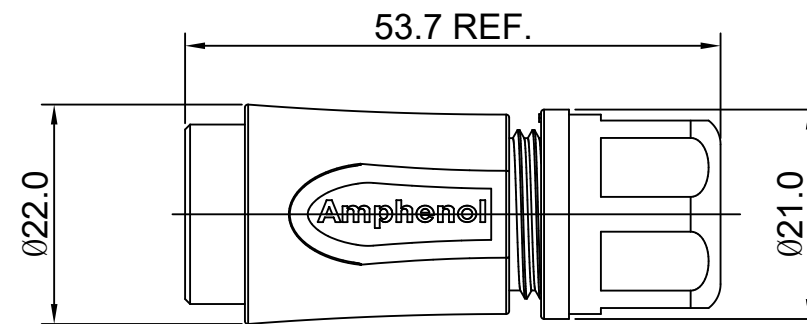
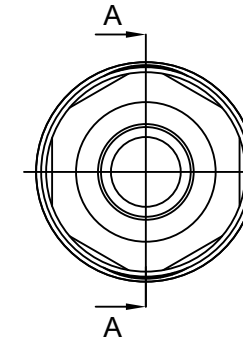


REVISIONS					
REV	ECO	DESCRIPTION	DATE	BY	APPR
01	-	RELEASED NUMBER	2018-02-28	Nick	TOMMY



SECTION A-A



DIMENSION ØA	CABLE OD RANGE
7.0MM	4.0-6.5MM
8.8MM	5.0-8.8MM

NOTES: (UNLESS OTHERWISE SPECIFIED)

- MATERIAL:
 - O-RING: SILICONE RUBBER.
 - BACK SHELL: THERMOPLASTIC, UL94 V-0.
 - CLAMP NUT: THERMOPLASTIC, UL94 V-0.
 - CLAMP RING: THERMOPLASTIC, UL94 V-0.
 - CABLE SEAL: EPDM.
- RoHS COMPLIANT.
- ALL DIMENSIONS ARE FOR REFERENCE USE ONLY.

QUANTITY	PART NUMBER	DESCRIPTION	ITEM																		
MATERIALS LIST																					
UNLESS OTHERWISE SPECIFIED 1) All dimensions are in metric (mm). 2) Tolerances are as follows: 1 PL DEC ±0.30 2 PL DEC ±0.15 3 PL DEC ±0.08 Fractions ±1/64 Angles ±1° 3) Note reference =		<table border="1"> <thead> <tr> <th>SIGNATURES</th> <th>DATE</th> </tr> </thead> <tbody> <tr> <td>DRAWN: Nick</td> <td>2018-02-28</td> </tr> <tr> <td>CHECKED: Tod</td> <td>2018-02-28</td> </tr> <tr> <td>ENGINEER:</td> <td></td> </tr> <tr> <td>APPROVAL: Tommy</td> <td>2018-02-28</td> </tr> </tbody> </table>	SIGNATURES	DATE	DRAWN: Nick	2018-02-28	CHECKED: Tod	2018-02-28	ENGINEER:		APPROVAL: Tommy	2018-02-28	<table border="1"> <tr> <td colspan="2" style="text-align: center;">Amphenol</td> </tr> <tr> <td colspan="2" style="text-align: center;">Sine Systems - www.amphenol-sine.com</td> </tr> <tr> <td colspan="2" style="text-align: center;">44724 Morley Drive</td> </tr> <tr> <td colspan="2" style="text-align: center;">Clinton Township, MI 48036</td> </tr> </table>	Amphenol		Sine Systems - www.amphenol-sine.com		44724 Morley Drive		Clinton Township, MI 48036	
SIGNATURES	DATE																				
DRAWN: Nick	2018-02-28																				
CHECKED: Tod	2018-02-28																				
ENGINEER:																					
APPROVAL: Tommy	2018-02-28																				
Amphenol																					
Sine Systems - www.amphenol-sine.com																					
44724 Morley Drive																					
Clinton Township, MI 48036																					
MATERIAL SPECIFICATIONS:		CUSTOMER: ECO-MATE, CORD GRIP, RTS, SIZE 10.																			
PROCESS SPECIFICATIONS:		<table border="1"> <tr> <td>THIS DRAWING IS SUPPLIED FOR INFORMATION ONLY. DESIGN FEATURES, SPECIFICATIONS AND PERFORMANCE DATA SHOWN HEREON ARE THE PROPERTY OF THE AMPHENOL CORPORATION. NO RIGHTS OF REPRODUCTION ARE IMPLIED. ALL DIMENSIONS ARE SUBJECT TO NORMAL MANUFACTURING VARIATIONS.</td> <td>SIZE: B</td> <td>TYPE: C-</td> <td>DWG NO: RTSOL-10CG</td> <td>REVISION: A1</td> </tr> <tr> <td>NEXT ASSY:</td> <td>SCALE: NONE</td> <td colspan="3">SHEET 1 OF 1</td> </tr> </table>		THIS DRAWING IS SUPPLIED FOR INFORMATION ONLY. DESIGN FEATURES, SPECIFICATIONS AND PERFORMANCE DATA SHOWN HEREON ARE THE PROPERTY OF THE AMPHENOL CORPORATION. NO RIGHTS OF REPRODUCTION ARE IMPLIED. ALL DIMENSIONS ARE SUBJECT TO NORMAL MANUFACTURING VARIATIONS.	SIZE: B	TYPE: C-	DWG NO: RTSOL-10CG	REVISION: A1	NEXT ASSY:	SCALE: NONE	SHEET 1 OF 1										
THIS DRAWING IS SUPPLIED FOR INFORMATION ONLY. DESIGN FEATURES, SPECIFICATIONS AND PERFORMANCE DATA SHOWN HEREON ARE THE PROPERTY OF THE AMPHENOL CORPORATION. NO RIGHTS OF REPRODUCTION ARE IMPLIED. ALL DIMENSIONS ARE SUBJECT TO NORMAL MANUFACTURING VARIATIONS.	SIZE: B	TYPE: C-	DWG NO: RTSOL-10CG	REVISION: A1																	
NEXT ASSY:	SCALE: NONE	SHEET 1 OF 1																			

TITLE: ECO-MATE, CORD GRIP, RTS, SIZE 10. DWG NO: RTSOL-10CG REV: A1 SH: 1 OF: 1

X-ON Electronics

Largest Supplier of Electrical and Electronic Components

Click to view similar products for [Standard Circular Connector](#) category:

Click to view products by [Amphenol](#) manufacturer:

Other Similar products are found below :

[5M2530B10P](#) [600259N006](#) [600273N007](#) [6134-336-13149](#) [6134-337-11149](#) [6134-337-2390](#) [6134-341-17149](#) [6280-4SG-516](#) [6280-7SG-3DC](#)
[6290](#) [6291A](#) [66200A-10](#) [680-SMG](#) [681-PMG](#) [CXS3102A14S2P](#) [CXS3102A181S](#) [7251-6SG-300](#) [7271-6SG-300](#) [7282-3PG-300-CH3](#) [75-](#)
[474014-05S](#) [75-474618-01S](#) [75-474618-04P](#) [75-474618-04S](#) [799539-000](#) [MI8-SE](#) [805-005-07NF11-19PC](#) [805-005-07NF15-7PA](#) [8280-4PG-](#)
[516](#) [8280-7PG-519](#) [8282-5PG-519](#) [836783-1](#) [MP-4102-25P-C](#) [862256-1](#) [864019-2](#) [866857-1](#) [867865-1](#) [PT01SP-14-18P](#) [PT08P-14-5S](#)
[PTSF06SE-14-12S](#) [120-1833-000](#) [QCM019PC2DC012B](#) [1-2069279-1](#) [121583-0217](#) [121667-0020](#) [129591AU](#) [1000B BULK](#) [RD10A16-19-](#)
[P6CS051/1](#) [RD10A20-31-P8CS051/1](#) [RD16A14-12-S6CS051/2](#) [1301240290](#) [1301240347](#)