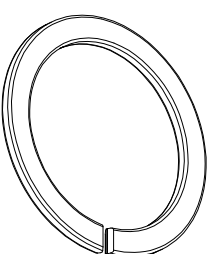
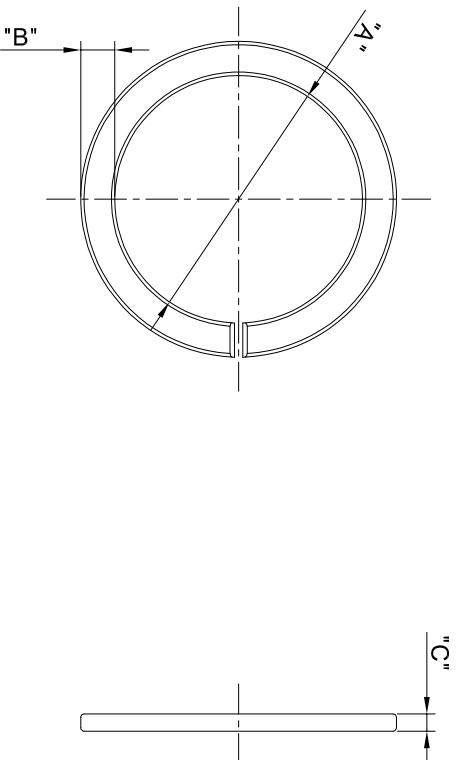


REVISIONS				
REV	ECO	DESCRIPTION	DATE	BY APPR
A1		FIRST RELEASED	Apr.05.2016	Drack Tommy
A2		UPDATE THE NOTES	Jul.20.2016	Drack Tommy
A3		ADD 16# & 18# PART	Nov.22.2017	Nick Tommy



SHELL	P/N	DIM A	DIM B	DIM C
8#	RTS8CCRX	Ø11.2	2.0	1.0
10#	RTS10CCRX	Ø14.5	2.0	1.0
12#	RTS12CCRX	Ø18.5	1.9	1.2
14#	RTS14CCRX	Ø21.7	1.9	1.8
16#	RTS16CCRX	Ø24.2	1.9	1.0
18#	RTS18CCRX	Ø27.6	1.9	1.0

"X" DENOTE COLOR:
 WHEN "X"="G", GREEN, PANTONE 348C.
 WHEN "X"="R", RED, PANTONE 194C.
 WHEN "X"="Y", YELLOW, PANTONE 123C.

NOTES : (UNLESS OTHERWISE SPECIFIED)
 1. MATERIAL : THERMOPLASTIC , UI94 V-0.

2. SPECIFICATIONS :
 2.1. OPERATING TEMPERATURE : -40°C ~ 125°C.
 2.2. ROHS COMPLIANT.

3. ALL DIMENSIONS ARE FOR REFERENCE USE ONLY.

QUANTITY	PART NUMBER	DESCRIPTION	ITEM
MATERIALS LIST			
UNLESS OTHERWISE SPECIFIED			
1) All dimensions are in millimeters.			
2) Tolerances are as follows:			
1 Pt. DEC 40.30 Fractions .1"164			
3 Pt. DEC 40.08 Angles .1°			
3) Note reference =			
SIGNATURES		DATE	
DRAWN:	CHK:	Nov.22.2017	
CREATED:	ENGINEER:	Nov.22.2017	
APPROVAL:	CUSTOMER:	Nov.22.2017	
MATERIAL SPECIFICATIONS:			
PROCESS SPECIFICATIONS:			
NEXT ASST:			
THIS DRAWING IS SUPERSEDED BY THE LATEST REVISIONS. SPECIFICATIONS AND PERFORMANCE DATA ARE THE PROPERTY OF AMPHENOL CORPORATION. NO PARTS OR REPRODUCTION ARE ALLOWED. ALL MANUFACTURING VARIATIONS.		ECO-MATE IDENTIFY RING SIZE 08, 10, 12, 14, 16, 18	
SCALE: NONE	SIZE: B	TYPE: C-	DWG NO: RTSXCCRX
			REVISION: A3

Amphenol

Sine Systems - www.amphenol-sine.com
 44724 Morley Drive
 Clinton Township, MI 48036

ECO-MATE IDENTIFY RING
 SIZE 08, 10, 12, 14, 16, 18

SCALE: NONE SIZE: B TYPE: C- DWG NO: RTSXCCRX REVISION: A3

X-ON Electronics

Largest Supplier of Electrical and Electronic Components

Click to view similar products for [Standard Circular Connector](#) category:

Click to view products by [Amphenol](#) manufacturer:

Other Similar products are found below :

[5M2530B10P](#) [600259N006](#) [600273N007](#) [6134-336-13149](#) [6134-337-11149](#) [6134-337-2390](#) [6134-341-17149](#) [6280-4SG-516](#) [6280-7SG-3DC](#)
[6290](#) [6291A](#) [66200A-10](#) [680-SMG](#) [681-PMG](#) [CXS3102A14S2P](#) [CXS3102A181S](#) [7251-6SG-300](#) [7271-6SG-300](#) [7282-3PG-300-CH3](#) [75-](#)
[474014-05S](#) [75-474618-01S](#) [75-474618-04P](#) [75-474618-04S](#) [799539-000](#) [MI8-SE](#) [805-005-07NF11-19PC](#) [805-005-07NF15-7PA](#) [8280-4PG-](#)
[516](#) [8280-7PG-519](#) [8282-5PG-519](#) [836783-1](#) [MP-4102-25P-C](#) [862256-1](#) [864019-2](#) [866857-1](#) [867865-1](#) [PT01SP-14-18P](#) [PT08P-14-5S](#)
[PTSF06SE-14-12S](#) [120-1833-000](#) [QCM019PC2DC012B](#) [1-2069279-1](#) [121583-0217](#) [121667-0020](#) [129591AU](#) [1000B BULK](#) [RD10A16-19-](#)
[P6CS051/1](#) [RD10A20-31-P8CS051/1](#) [RD16A14-12-S6CS051/2](#) [1301240290](#) [1301240347](#)