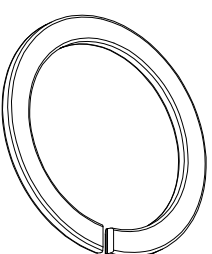
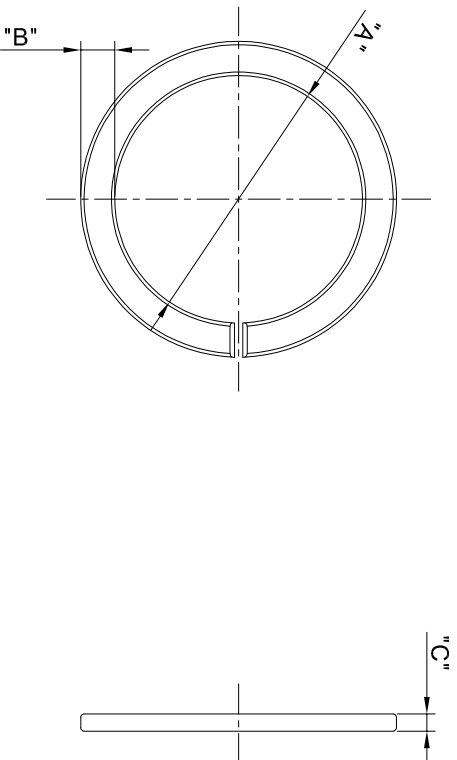


REVISIONS				
REV	ECO	DESCRIPTION	DATE	BY APPR
A1		FIRST RELEASED	Apr.05.2016	Drack Tommy
A2		UPDATE THE NOTES	Jul.20.2016	Drack Tommy
A3		ADD 16# & 18# PART	Nov.22.2017	Nick Tommy



SHELL	P/N	DIM A	DIM B	DIM C
8#	RTS8CCRX	Ø11.2	2.0	1.0
10#	RTS10CCRX	Ø14.5	2.0	1.0
12#	RTS12CCRX	Ø18.5	1.9	1.2
14#	RTS14CCRX	Ø21.7	1.9	1.8
16#	RTS16CCRX	Ø24.2	1.9	1.0
18#	RTS18CCRX	Ø27.6	1.9	1.0

"X" DENOTE COLOR:  
 WHEN "X"="G", GREEN, PANTONE 348C.  
 WHEN "X"="R", RED, PANTONE 194C.  
 WHEN "X"="Y", YELLOW, PANTONE 123C.

NOTES : (UNLESS OTHERWISE SPECIFIED)  
 1. MATERIAL : THERMOPLASTIC , UI94 V-0.

2. SPECIFICATIONS :  
 2.1. OPERATING TEMPERATURE : -40°C ~ 125°C.  
 2.2. ROHS COMPLIANT.

3. ALL DIMENSIONS ARE FOR REFERENCE USE ONLY.

QUANTITY	PART NUMBER	DESCRIPTION	ITEM
<b>MATERIALS LIST</b>			

UNLESS OTHERWISE SPECIFIED		SIGNATURES		DATE	
1) All dimensions are in millimeters.		DRAWN: NIK	NOV/22/07		
2) Tolerances are as follows:		CHECKED: JOD	NOV/22/07		
3) Note reference =		ENGINEER: TOMMY	NOV/22/07		
MATERIAL SPECIFICATIONS:		APPROVAL: TOMMY	NOV/22/07		
PROCESS SPECIFICATIONS:		CUSTOMER:	ECO-MATE IDENTIFY RING		
THIS DRAWING IS SUPPLEMENTARY TO THE DRAWING OF THE PART. IT PROVIDES ADDITIONAL INFORMATION ON THE MANUFACTURING AND PERFORMANCE DATA OF THE PART. IT DOES NOT REPLACE THE ORIGINAL DRAWING. ALL DIMENSIONS ARE IN MILLIMETERS UNLESS OTHERWISE SPECIFIED. ALL DIMENSIONS ARE FOR REFERENCE USE ONLY. ALL DIMENSIONS ARE FOR REFERENCE USE ONLY.		SIZE 08, 10, 12, 14, 16, 18			
NEXT ASSY:		SCALE: NONE		SHEET 1 OF 1	

ECO-MATE IDENTIFY RING		SIZE 08, 10, 12, 14, 16, 18	
Sine Systems - www.amphenol-sine.com		44724 Morley Drive	
Clinton Township, MI 48036			
Amphenol			
RTSXCCRX		A3	

TTITLE:ECO-MATE IDENTIFY RING,SIZE 08,10,12,14,16,18

DWG NO:

RTSXCCRX

REV: A3

SH: 1

OF: 1

## X-ON Electronics

Largest Supplier of Electrical and Electronic Components

*Click to view similar products for [Standard Circular Connector](#) category:*

*Click to view products by [Amphenol](#) manufacturer:*

Other Similar products are found below :

[5M2530B10P](#) [600259N006](#) [600273N007](#) [6134-336-13149](#) [6134-337-11149](#) [6134-337-2390](#) [6134-341-17149](#) [6280-4SG-516](#) [6280-7SG-3DC](#)  
[6290](#) [6291A](#) [66200A-10](#) [680-SMG](#) [681-PMG](#) [CXS3102A14S2P](#) [CXS3102A181S](#) [7251-6SG-300](#) [7271-6SG-300](#) [7282-3PG-300-CH3](#) [75-](#)  
[474014-05S](#) [75-474618-01S](#) [75-474618-04P](#) [75-474618-04S](#) [799539-000](#) [MI8-SE](#) [805-005-07NF11-19PC](#) [805-005-07NF15-7PA](#) [8280-4PG-](#)  
[516](#) [8280-7PG-519](#) [8282-5PG-519](#) [836783-1](#) [MP-4102-25P-C](#) [862256-1](#) [864019-2](#) [866857-1](#) [867865-1](#) [PT01SP-14-18P](#) [PT08P-14-5S](#)  
[PTSF06SE-14-12S](#) [120-1833-000](#) [QCM019PC2DC012B](#) [1-2069279-1](#) [121583-0217](#) [121667-0020](#) [129591AU](#) [1000B BULK](#) [RD10A16-19-](#)  
[P6CS051/1](#) [RD10A20-31-P8CS051/1](#) [RD16A14-12-S6CS051/2](#) [1301240290](#) [1301240347](#)