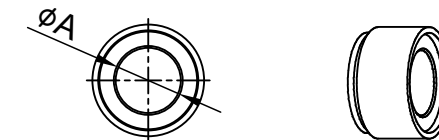
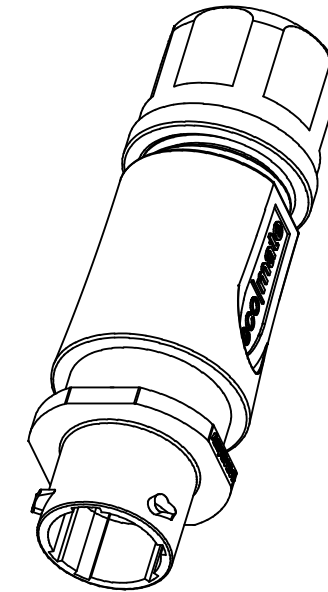
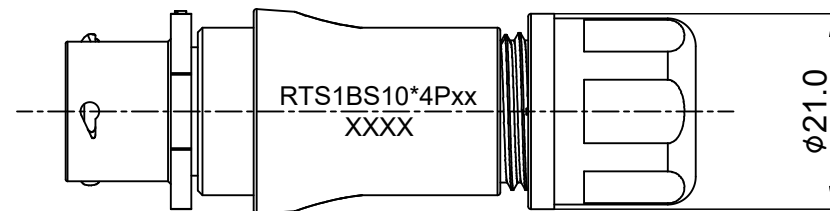
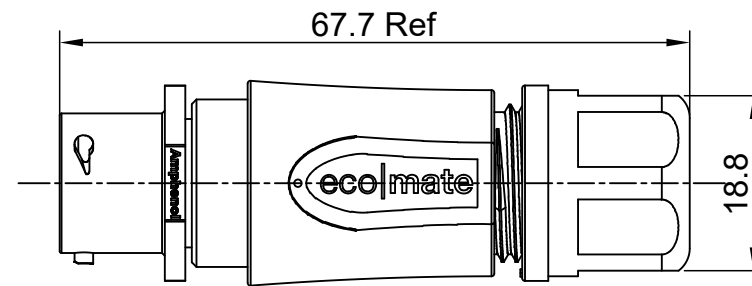
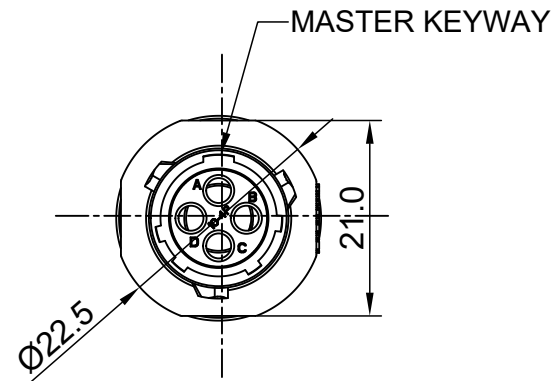


| REVISIONS | | | | | |
|-----------|-----|------------------|-------------|-------|-------|
| REV | ECO | DESCRIPTION | DATE | BY | APPR |
| A1 | -- | RELEASED DRAWING | Jun-20-2018 | Blink | Tommy |



NOTES: (UNLESS OTHERWISE SPECIFIED)

1. MATERIAL:

- 1.1 SHELL: THERMOPLASTIC, UL94 V-0.
- 1.2 INSERT: THERMOPLASTIC, UL94 V-0.
- 1.3 O-RING: NBR/SILICONE RUBBER.
- 1.4 BACK SHELL: THERMOPLASTIC, UL94 V-0.
- 1.5 CLAMP NUT: THERMOPLASTIC, UL94 V-0.
- 1.6 CLAMP RING: THERMOPLASTIC, UL94 V-0.
- 1.7 CABLE SEAL: EPDM.

2. SPECIFICATIONS:

- 2.1 RATED CURRENT: 13A (MAX).
- 2.2 RATED VOLTAGE: 500V(AC/DC).
- 2.3 OPERATING TEMPERATURE: SEE TABLE.
- 2.4 DIELECTRIC WITHSTANDING VOLTAGE: LESS THAN 2 MILLIAMPS CURRENT LEAKAGE@2000 VOLTS AC.
- 2.5 INSULATION RESISTANCE: 5000 MEGOHMS MIN.
- 2.6 IP--CLASS: IP67 AND IP69K IN THE MATED CONDITION.
- 2.7 MATING CYCLES DURABILITY: 500 CYCLES MIN.
- 2.8 RoHS COMPLIANT.

3. SUITABLE CONTACTS : 16# CONTACTS.

4. ALL DIMENSIONS ARE FOR REFERENCE USE ONLY.

5. ADD LOCTITE TO RETAIN BACKSHELL DURING UN-MATING AND TO PROVIDE ADDITIONAL PROTECTION AGAINST VIBRATION.

| DIMENSION ØA | CABLE OD RANGE |
|--------------|----------------|
| 7.0MM | 4.0-6.5mm |
| 8.8MM | 5.0-8.8mm |

| KEY | PART NUMBER | |
|-----|---------------|---------------|
| | -40°C ~ 105°C | -40°C ~ 125°C |
| N | RTS1BS10N4P | RTS1BS10N4P03 |

| QUANTITY | PART NUMBER | DESCRIPTION | ITEM |
|--|-------------|--|-------------------------------------|
| MATERIALS LIST | | | |
| UNLESS OTHERWISE SPECIFIED 1) All dimensions are in metric(mm). 2) Tolerances are as follows: 1 PL DEC ±0.30 2 PL DEC ±0.15 3 PL DEC ±0.08 3) Note reference = | | SIGNATURES DATE DRAWN: Blink Jun-20-2018 CHECKED: Tod Jun-20-2018 ENGINEER: APPROVAL: Tommy Jun-20-2018 | |
| MATERIAL SPECIFICATIONS: | | CUSTOMER: | |
| PROCESS SPECIFICATIONS: | | THIS DRAWING IS SUPPLIED FOR INFORMATION ONLY. DESIGN FEATURES, SPECIFICATIONS AND PERFORMANCE DATA SHOWN HEREON ARE THE PROPERTY OF THE AMPHENOL CORPORATION. NO RIGHTS OF REPRODUCTION ARE IMPLIED. ALL DIMENSIONS ARE SUBJECT TO NORMAL MANUFACTURING VARIATIONS. | |
| NEXT ASSY: | | SCALE: NONE | |
| | | <div style="text-align: center;"> Sine Systems - www.amphenol-sine.com 44724 Morley Drive Clinton Township, MI 48036 ECO-MATE, RECPTACLE, BACK SHELL, SIZE 10,4 POS,PIN. </div> | |
| | | SIZE: B TYPE: C- DWG NO: RTS1BS10*4Pxx | REVISION: A1 SHEET 1 OF 1 |

TITLE: ECOMATE,RECPTACLE,BACK SHELL,SIZE 10,4 POS,PIN.
 DWG NO: RTS1BS10*4Pxx
 REV: A1
 SH: 1
 OF: 1

ecomate® RM/RSSM/Aquarius™ - Contact Size 16 Options

| Machined, Crimp Contacts | | | | |
|--------------------------|------------|-------|-------------------------------|------------|
| Part Number | | AWG | Wire Range (mm ²) | Plating |
| Male | Female | | | |
| MP14M23F | MS14M23F | 14 | 2.0-2.5 | Gold Flash |
| MP14M23G5 | MS14M23G5 | 14 | 2.0-2.5 | Gold 5μ" |
| MP14M23G10 | MS14M23G10 | 14 | 2.0-2.5 | Gold 10μ" |
| MP14M23G15 | MS14M23G15 | 14 | 2.0-2.5 | Gold 15μ" |
| MP14M23G30 | MS14M23G30 | 14 | 2.0-2.5 | Gold 30μ" |
| MP16M23F | MS16M23F | 18-16 | .75-1.5 | Gold Flash |
| MP16M23G5 | MS16M23G5 | 18-16 | .75-1.5 | Gold 5μ" |
| MP16M23G10 | MS16M23G10 | 18-16 | .75-1.5 | Gold 10μ" |
| MP16M23G15 | MS16M23G15 | 18-16 | .75-1.5 | Gold 15μ" |
| MP16M23G30 | MS16M23G30 | 18-16 | .75-1.5 | Gold 30μ" |
| MP20M23F | MS20M23F | 22-20 | .34-.50 | Gold Flash |
| MP20M23G5 | MS20M23G5 | 22-20 | .34-.50 | Gold 5μ" |
| MP20M23G10 | MS20M23G10 | 22-20 | .34-.50 | Gold 10μ" |
| MP20M23G15 | MS20M23G15 | 22-20 | .34-.50 | Gold 15μ" |
| MP20M23G30 | MS20M23G30 | 22-20 | .34-.50 | Gold 30μ" |
| MP24M23F | MS24M23F | 26-24 | .14-.25 | Gold Flash |
| MP24M23G5 | MS24M23G5 | 26-24 | .14-.25 | Gold 5μ" |
| MP24M23G10 | MS24M23G10 | 26-24 | .14-.25 | Gold 10μ" |
| MP24M23G15 | MS24M23G15 | 26-24 | .14-.25 | Gold 15μ" |
| MP24M23G30 | MS24M23G30 | 26-24 | .14-.25 | Gold 30μ" |

| Stamped & Formed, Crimp Contacts | | | | |
|----------------------------------|-----------|-------|-------------------------------|------------|
| Part Number | | AWG | Wire Range (mm ²) | Plating |
| Male | Female | | | |
| SP14M2F | SS14M2F | 14 | 2.0-2.5 | Gold Flash |
| SP14M2G5 | SS14M2G5 | 14 | 2.0-2.5 | Gold 5μ" |
| SP14M2G10 | SS14M2G10 | 14 | 2.0-2.5 | Gold 10μ" |
| SP14M2G15 | SS14M2G15 | 14 | 2.0-2.5 | Gold 15μ" |
| SP14M2G30 | SS14M2G30 | 14 | 2.0-2.5 | Gold 30μ" |
| SP16M2F | SS16M2F | 18-16 | .75-1.5 | Gold Flash |
| SP16M2G5 | SS16M2G5 | 18-16 | .75-1.5 | Gold 5μ" |
| SP16M2G10 | SS16M2G10 | 18-16 | .75-1.5 | Gold 10μ" |
| SP16M2G15 | SS16M2G15 | 18-16 | .75-1.5 | Gold 15μ" |
| SP16M2G30 | SS16M2G30 | 18-16 | .75-1.5 | Gold 30μ" |
| SP20M2F | SS20M2F | 22-20 | .34-.50 | Gold Flash |
| SP20M2G5 | SS20M2G5 | 22-20 | .34-.50 | Gold 5μ" |
| SP20M2G10 | SS20M2G10 | 22-20 | .34-.50 | Gold 10μ" |
| SP20M2G15 | SS20M2G15 | 22-20 | .34-.50 | Gold 15μ" |
| SP20M2G30 | SS20M2G30 | 22-20 | .34-.50 | Gold 30μ" |
| SP24M2F | SS24M2F | 22-20 | .14-.25 | Gold Flash |
| SP24M2G5 | SS24M2G5 | 26-24 | .14-.25 | Gold 5μ" |
| SP24M2G10 | SS24M2G10 | 26-24 | .14-.25 | Gold 10μ" |
| SP24M2G15 | SS24M2G15 | 26-24 | .14-.25 | Gold 15μ" |
| SP24M2G30 | SS24M2G30 | 26-24 | .14-.25 | Gold 30μ" |

| Tooling, Machined | |
|-------------------|--|
| Part Number | Description |
| QXRT16 | Contact Extraction Tool, #16 (Ø 1.6) Contact |
| MFY-3959 | Hand Crimp Tool for Machined Contacts |
| MFY-3960 | Pneumatic Crimp Tool for Machined Contact |

| Tooling, Stamped & Formed | |
|---------------------------|--|
| Part Number | Description |
| QXRT16 | Contact Extraction Tool, #16 (Ø 1.6) Contact |
| MFY-3954 | Hand Tool, Stamped & Formed Contact, Size 16, 20-14AWG |
| MFY-3957 | Crimp Die, Stamped & Formed Contact |

| Plating Options | |
|-----------------|--|
| Symbol | Plating |
| T | Tin Plated (for Stamped & Formed Contacts) |
| S | Silver Plated 5Um (for Machined Contacts) |
| F | Gold Plated |
| G5 | Gold Plated (Thickness 5μ") |
| G10 | Gold Plated (Thickness 10μ") |
| G15 | Gold Plated (Thickness 15μ") |
| G30 | Gold Plated (Thickness 30μ") |

| Standard Quantity Order Options | |
|---------------------------------|-------------------|
| Machined | Stamped & Formed |
| Bulk Package, 500 Pieces | Reel, 3000 Pieces |

Amphenol Sine Systems
 44724 Morley Drive
 Clinton Township, MI 48036 USA
www.amphenol-sine.com
 04/2021

X-ON Electronics

Largest Supplier of Electrical and Electronic Components

Click to view similar products for [Standard Circular Connector](#) category:

Click to view products by [Amphenol](#) manufacturer:

Other Similar products are found below :

[5M2530B10P](#) [600259N006](#) [600273N007](#) [6134-336-13149](#) [6134-337-11149](#) [6134-337-2390](#) [6134-341-17149](#) [6280-4SG-516](#) [6280-7SG-3DC](#)
[6290](#) [6291A](#) [66200A-10](#) [680-SMG](#) [681-PMG](#) [CXS3102A14S2P](#) [CXS3102A181S](#) [7251-6SG-300](#) [7271-6SG-300](#) [7282-3PG-300-CH3](#) [75-](#)
[474014-05S](#) [75-474618-01S](#) [75-474618-04P](#) [75-474618-04S](#) [799539-000](#) [MI8-SE](#) [805-005-07NF11-19PC](#) [805-005-07NF15-7PA](#) [8280-4PG-](#)
[516](#) [8280-7PG-519](#) [8282-5PG-519](#) [836783-1](#) [MP-4102-25P-C](#) [862256-1](#) [864019-2](#) [866857-1](#) [867865-1](#) [PT01SP-14-18P](#) [PT08P-14-5S](#)
[PTSF06SE-14-12S](#) [120-1833-000](#) [QCM019PC2DC012B](#) [1-2069279-1](#) [121583-0217](#) [121667-0020](#) [129591AU](#) [1000B BULK](#) [RD10A16-19-](#)
[P6CS051/1](#) [RD10A20-31-P8CS051/1](#) [RD16A14-12-S6CS051/2](#) [1301240290](#) [1301240347](#)