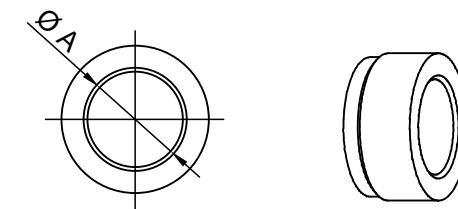
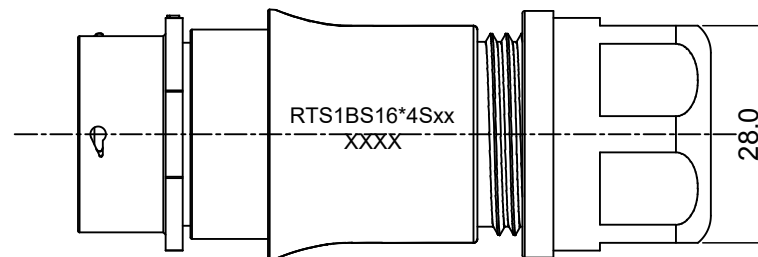
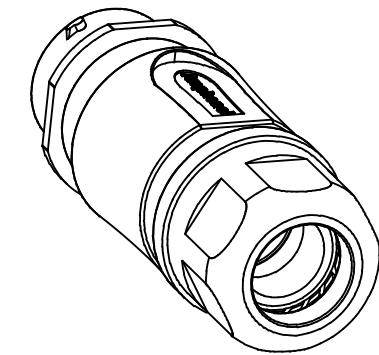
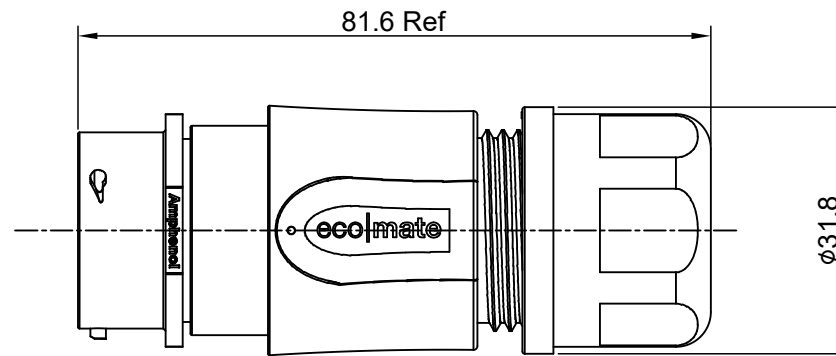
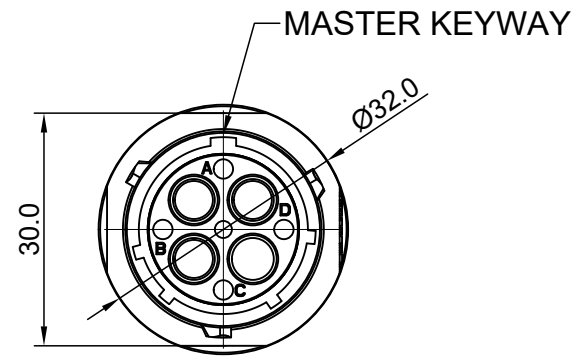


REVISIONS					
REV	ECO	DESCRIPTION	DATE	BY	APPR
A1	--	RELEASED DRAWING	Jun-20-2018	Blink	Tommy



NOTES: (UNLESS OTHERWISE SPECIFIED)

1. MATERIAL:

- 1.1 SHELL: THERMOPLASTIC, UL94 V-0.
- 1.2 INSERT: THERMOPLASTIC, UL94 V-0.
- 1.3 O-RING: NBR/SILICONE RUBBER.
- 1.4 BACK SHELL: THERMOPLASTIC, UL94 V-0.
- 1.5 CLAMP NUT: THERMOPLASTIC, UL94 V-0.
- 1.6 CLAMP RING: THERMOPLASTIC, UL94 V-0.
- 1.7 CABLE SEAL: EPDM.

2. SPECIFICATIONS:

- 2.1 RATED CURRENT : 45A (MAX) .
- 2.2 RATED VOLTAGE: 500V(AC/DC).
- 2.3 OPERATING TEMPERATURE: SEE TABLE .
- 2.4 DIELECTRIC WITHSTANDING VOLTAGE: LESS THAN 2 MILLIAMPS CURRENT LEAKAGE@2000 VOLTS AC.
- 2.5 INSULATION RESISTANCE: 5000 MEGOHMS MIN.
- 2.6 IP--CLASS: IP67 AND IP69K IN THE MATED CONDITION.
- 2.7 MATING CYCLES DURABILITY: 500 CYCLES MIN.
- 2.8 RoHS COMPLIANT.

3. SUITABLE CONTACTS : 8# CONTACT.

4. ALL DIMENSIONS ARE FOR REFERENCE USE ONLY.

5. ADD LOCTITE TO RETAIN BACKSHELL DURING UN-MATING AND TO PROVIDE ADDITIONAL PROTECTION AGAINST VIBRATION.

DIMENSION ØA	CABLE OD RANGE
14.5MM	10.0-14.0mm
17.5MM	13.5-17.0mm

KEY	PART NUMBER	
	-40°C ~ 105°C	-40°C ~ 125°C
N	RTS1BS16N4S	RTS1BS16N4S03

QUANTITY	PART NUMBER	DESCRIPTION	ITEM										
MATERIALS LIST													
UNLESS OTHERWISE SPECIFIED 1) All dimensions are in metric(mm). 2) Tolerances are as follows: 1 PL DEC ±0.30 2 PL DEC ±0.15 3 PL DEC ±0.08 3) Note reference =		<table border="1"> <thead> <tr> <th>SIGNATURES</th> <th>DATE</th> </tr> </thead> <tbody> <tr> <td>DRAWN: Blink</td> <td>Jun-20-2018</td> </tr> <tr> <td>CHECKED: Tod</td> <td>Jun-20-2018</td> </tr> <tr> <td>ENGINEER:</td> <td></td> </tr> <tr> <td>APPROVAL: Tommy</td> <td>Jun-20-2018</td> </tr> </tbody> </table>		SIGNATURES	DATE	DRAWN: Blink	Jun-20-2018	CHECKED: Tod	Jun-20-2018	ENGINEER:		APPROVAL: Tommy	Jun-20-2018
SIGNATURES	DATE												
DRAWN: Blink	Jun-20-2018												
CHECKED: Tod	Jun-20-2018												
ENGINEER:													
APPROVAL: Tommy	Jun-20-2018												
MATERIAL SPECIFICATIONS:		<p style="text-align: center;">Amphenol</p> <p style="text-align: center;">Sine Systems - www.amphenol-sine.com 44724 Morley Drive Clinton Township, MI 48036</p>											
PROCESS SPECIFICATIONS:		<p style="text-align: center;">ECO-MATE, RECPTACLE, BACK SHELL, SIZE 16,4POS, SOCKET.</p>											
NEXT ASSY:		<table border="1"> <thead> <tr> <th>SIZE</th> <th>TYPE</th> <th>DWG NO:</th> <th>REVISION</th> </tr> </thead> <tbody> <tr> <td>B</td> <td>C-</td> <td>RTS1BS16*4Sxx</td> <td>A1</td> </tr> </tbody> </table>		SIZE	TYPE	DWG NO:	REVISION	B	C-	RTS1BS16*4Sxx	A1		
SIZE	TYPE	DWG NO:	REVISION										
B	C-	RTS1BS16*4Sxx	A1										
SCALE: NONE		SHEET 1 OF 1											

TITLE: ECO-MATE, RECPTACLE, BACK SHELL, SIZE 16,4POS, SOCKET.

DWG NO:

RTS1BS16*4Sxx

REV: A1

SH: 1

OF: 1

X-ON Electronics

Largest Supplier of Electrical and Electronic Components

Click to view similar products for [Standard Circular Connector](#) category:

Click to view products by [Amphenol](#) manufacturer:

Other Similar products are found below :

[5M2530B10P](#) [600259N006](#) [600273N007](#) [6134-336-13149](#) [6134-337-11149](#) [6134-337-2390](#) [6134-341-17149](#) [6280-4SG-516](#) [6280-7SG-3DC](#)
[6290](#) [6291A](#) [66200A-10](#) [680-SMG](#) [681-PMG](#) [CXS3102A14S2P](#) [CXS3102A181S](#) [7251-6SG-300](#) [7271-6SG-300](#) [7282-3PG-300-CH3](#) [75-](#)
[474014-05S](#) [75-474618-01S](#) [75-474618-04P](#) [75-474618-04S](#) [799539-000](#) [MI8-SE](#) [805-005-07NF11-19PC](#) [805-005-07NF15-7PA](#) [8280-4PG-](#)
[516](#) [8280-7PG-519](#) [8282-5PG-519](#) [836783-1](#) [MP-4102-25P-C](#) [862256-1](#) [864019-2](#) [866857-1](#) [867865-1](#) [PT01SP-14-18P](#) [PT08P-14-5S](#)
[PTSF06SE-14-12S](#) [120-1833-000](#) [QCM019PC2DC012B](#) [1-2069279-1](#) [121583-0217](#) [121667-0020](#) [129591AU](#) [1000B BULK](#) [RD10A16-19-](#)
[P6CS051/1](#) [RD10A20-31-P8CS051/1](#) [RD16A14-12-S6CS051/2](#) [1301240290](#) [1301240347](#)