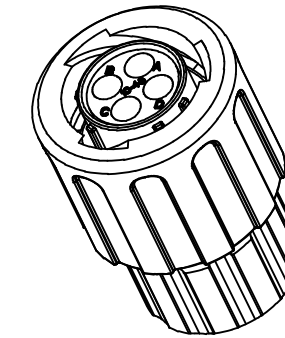
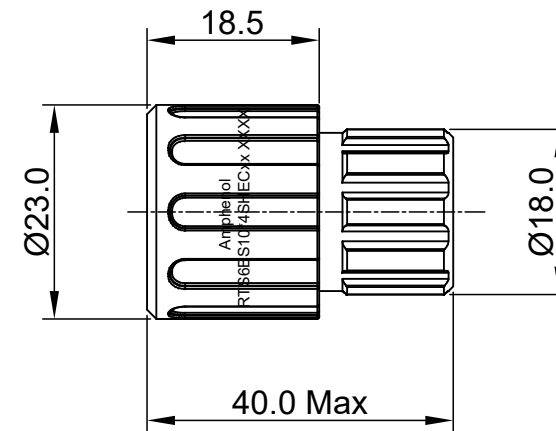
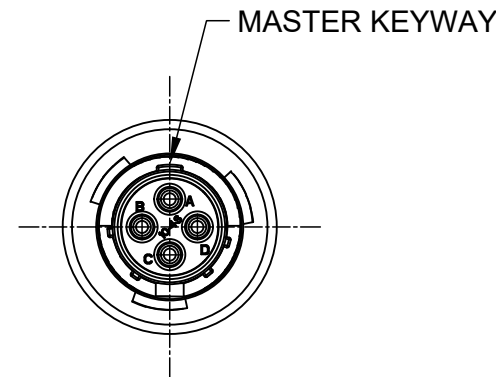


| REVISIONS |     |                  |             |       |       |
|-----------|-----|------------------|-------------|-------|-------|
| REV       | ECO | DESCRIPTION      | DATE        | BY    | APPR  |
| A1        | --  | RELEASED DRAWING | Jun-14-16   | Ben   | Tommy |
| A2        | --  | UPDATE NOTES     | Jun-20-2017 | Nick  | Tommy |
| A3        | --  | UPDATE DRAWING   | Mar-19-2018 | White | Tommy |

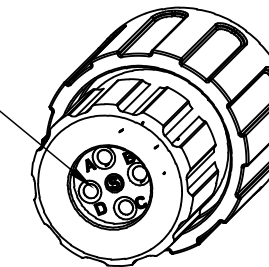


NOTES : (UNLESS OTHERWISE SPECIFIED)

- MATERIAL :  
 SHELL : THERMOPLASTIC , UL94 V-0.  
 INSERT : THERMOPLASTIC , UL94 V-0.  
 COUPLING NUT : THERMOPLASTIC , UL94 V-0.  
 O-RING : NBR/SILICONE RUBBER.  
 WASHER : SILICONE RUBBER.  
 END CAP : THERMOPLASTIC , UL94 V-0.  
 PLASTIC RING : THERMOPLASTIC , UL94 V-0.  
 WIRE SEAL : SILICONE RUBBER.
- SPECIFICATIONS :
  - RATED CURRENT : 13A (MAX) .
  - RATED VOLTAGE : 500V(AC/DC).
  - OPERATING TEMPERATURE : SEE TABLE.
  - DIELECTRIC WITHSTANDING VOLTAGE : LESS THAN 2 MILLIAMPS CURRENT LEAKAGE@2000 VOLTS AC.
  - INSULATION RESISTANCE : 5000 MEGOHMS MIN.
  - IP CLASS : IP67 AND IP69K IN THE MATED CONDITION, WIRE SEALS FULLY POPULATED.
  - MATING CYCLES DURABILITY : 500 CYCLES MIN.
  - RoHS COMPLIANT.
- SUITABLE CONTACTS : 16# CONTACT.
- ALL DIMENSIONS ARE FOR REFERENCE USE ONLY.
- CONTACT SIZE AND REAR SEAL WIRE RANGE :

| CONTACT SIZE | MIN. INSUL O.D. | MAX. INSUL O.D. | WIRE RANGE |
|--------------|-----------------|-----------------|------------|
| 16#          | Ø2.0mm          | Ø3.2mm          | 14 - 24AWG |

SEALING PLUGS CAN BE PURCHASED SEPARATELY



| KEY | PART NUMBER    |                  |
|-----|----------------|------------------|
|     | -40°C ~ 105°C  | -40°C ~ 125°C    |
| N   | RTS6BS10N4SHEC | RTS6BS10N4SHEC03 |

| QUANTITY  | PART NUMBER | DESCRIPTION  | ITEM                     |
|---|-------------|--|--------------------------|
| <b>MATERIALS LIST</b>   |             |  |                          |
| UNLESS OTHERWISE SPECIFIED<br>1) All dimensions are in metric(mm).<br>2) Tolerances are as follows:<br>1 PL DEC ±0.30    Fractions ±1/64<br>2 PL DEC ±0.15    Angles ±1°<br>3 PL DEC ±0.08<br>3) Note reference = |             | SIGNATURES    DATE   |                          |
|   |             | DRAWN: White   | Mar-19-2018              |
|   |             | CHECKED: Tod   | Mar-19-2018              |
|   |             | ENGINEER:  |                          |
|   |             | APPROVAL: Tommy  | Mar-19-2018              |
| MATERIAL SPECIFICATIONS:  |             | CUSTOMER:  |                          |
| PROCESS SPECIFICATIONS:   |             | THIS DRAWING IS SUPPLIED FOR INFORMATION ONLY. DESIGN FEATURES, SPECIFICATIONS AND PERFORMANCE DATA SHOWN HEREON ARE THE PROPERTY OF THE AMPHENOL CORPORATION. NO RIGHTS OF REPRODUCTION ARE IMPLIED. ALL DIMENSIONS ARE SUBJECT TO NORMAL MANUFACTURING VARIATIONS. |                          |
| NEXT ASSY:  |             | SIZE: B  | TYPE: C-                 |
|   |             | SCALE: NONE  | DWG NO: RTS6BS10*4SHECxx |
|   |             |  | REVISION: A3             |
|   |             | SINE SYSTEMS - www.amphenol-sine.com<br>44724 Morley Drive<br>Clinton Township, MI 48036   |                          |
|   |             | ECO-MATE, PLUG, END CAP, SIZE 10, 4 POS, SOCKET  |                          |
|   |             | SHEET 1 OF 1   |                          |

TITLE: ECO-MATE, PLUG, END CAP, SIZE 10, 4 POS, SOCKET    DWG NO: RTS6BS10\*4SHECxx    REV: A3    SH: 1    OF: 1

## ecomate® RM/RSSM/Aquarius™ - Contact Size 16 Options

| Machined, Crimp Contacts |            |       |                               |            |
|--------------------------|------------|-------|-------------------------------|------------|
| Part Number              |            | AWG   | Wire Range (mm <sup>2</sup> ) | Plating    |
| Male                     | Female     |       |                               |            |
| MP14M23F                 | MS14M23F   | 14    | 2.0-2.5                       | Gold Flash |
| MP14M23G5                | MS14M23G5  | 14    | 2.0-2.5                       | Gold 5μ"   |
| MP14M23G10               | MS14M23G10 | 14    | 2.0-2.5                       | Gold 10μ"  |
| MP14M23G15               | MS14M23G15 | 14    | 2.0-2.5                       | Gold 15μ"  |
| MP14M23G30               | MS14M23G30 | 14    | 2.0-2.5                       | Gold 30μ"  |
| MP16M23F                 | MS16M23F   | 18-16 | .75-1.5                       | Gold Flash |
| MP16M23G5                | MS16M23G5  | 18-16 | .75-1.5                       | Gold 5μ"   |
| MP16M23G10               | MS16M23G10 | 18-16 | .75-1.5                       | Gold 10μ"  |
| MP16M23G15               | MS16M23G15 | 18-16 | .75-1.5                       | Gold 15μ"  |
| MP16M23G30               | MS16M23G30 | 18-16 | .75-1.5                       | Gold 30μ"  |
| MP20M23F                 | MS20M23F   | 22-20 | .34-.50                       | Gold Flash |
| MP20M23G5                | MS20M23G5  | 22-20 | .34-.50                       | Gold 5μ"   |
| MP20M23G10               | MS20M23G10 | 22-20 | .34-.50                       | Gold 10μ"  |
| MP20M23G15               | MS20M23G15 | 22-20 | .34-.50                       | Gold 15μ"  |
| MP20M23G30               | MS20M23G30 | 22-20 | .34-.50                       | Gold 30μ"  |
| MP24M23F                 | MS24M23F   | 26-24 | .14-.25                       | Gold Flash |
| MP24M23G5                | MS24M23G5  | 26-24 | .14-.25                       | Gold 5μ"   |
| MP24M23G10               | MS24M23G10 | 26-24 | .14-.25                       | Gold 10μ"  |
| MP24M23G15               | MS24M23G15 | 26-24 | .14-.25                       | Gold 15μ"  |
| MP24M23G30               | MS24M23G30 | 26-24 | .14-.25                       | Gold 30μ"  |

| Stamped & Formed, Crimp Contacts |           |       |                               |            |
|----------------------------------|-----------|-------|-------------------------------|------------|
| Part Number                      |           | AWG   | Wire Range (mm <sup>2</sup> ) | Plating    |
| Male                             | Female    |       |                               |            |
| SP14M2F                          | SS14M2F   | 14    | 2.0-2.5                       | Gold Flash |
| SP14M2G5                         | SS14M2G5  | 14    | 2.0-2.5                       | Gold 5μ"   |
| SP14M2G10                        | SS14M2G10 | 14    | 2.0-2.5                       | Gold 10μ"  |
| SP14M2G15                        | SS14M2G15 | 14    | 2.0-2.5                       | Gold 15μ"  |
| SP14M2G30                        | SS14M2G30 | 14    | 2.0-2.5                       | Gold 30μ"  |
| SP16M2F                          | SS16M2F   | 18-16 | .75-1.5                       | Gold Flash |
| SP16M2G5                         | SS16M2G5  | 18-16 | .75-1.5                       | Gold 5μ"   |
| SP16M2G10                        | SS16M2G10 | 18-16 | .75-1.5                       | Gold 10μ"  |
| SP16M2G15                        | SS16M2G15 | 18-16 | .75-1.5                       | Gold 15μ"  |
| SP16M2G30                        | SS16M2G30 | 18-16 | .75-1.5                       | Gold 30μ"  |
| SP20M2F                          | SS20M2F   | 22-20 | .34-.50                       | Gold Flash |
| SP20M2G5                         | SS20M2G5  | 22-20 | .34-.50                       | Gold 5μ"   |
| SP20M2G10                        | SS20M2G10 | 22-20 | .34-.50                       | Gold 10μ"  |
| SP20M2G15                        | SS20M2G15 | 22-20 | .34-.50                       | Gold 15μ"  |
| SP20M2G30                        | SS20M2G30 | 22-20 | .34-.50                       | Gold 30μ"  |
| SP24M2F                          | SS24M2F   | 22-20 | .14-.25                       | Gold Flash |
| SP24M2G5                         | SS24M2G5  | 26-24 | .14-.25                       | Gold 5μ"   |
| SP24M2G10                        | SS24M2G10 | 26-24 | .14-.25                       | Gold 10μ"  |
| SP24M2G15                        | SS24M2G15 | 26-24 | .14-.25                       | Gold 15μ"  |
| SP24M2G30                        | SS24M2G30 | 26-24 | .14-.25                       | Gold 30μ"  |

| Tooling, Machined |  |
|-------------------|--|
| Part Number       | Description                                  |
| QXRT16            | Contact Extraction Tool, #16 (Ø 1.6) Contact |
| MFY-3959          | Hand Crimp Tool for Machined Contacts        |
| MFY-3960          | Pneumatic Crimp Tool for Machined Contact    |

| Tooling, Stamped & Formed |  |
|---------------------------|--|
| Part Number               | Description  |
| QXRT16                    | Contact Extraction Tool, #16 (Ø 1.6) Contact           |
| MFY-3954                  | Hand Tool, Stamped & Formed Contact, Size 16, 20-14AWG |
| MFY-3957                  | Crimp Die, Stamped & Formed Contact                    |

| Plating Options |  |
|-----------------|--|
| Symbol          | Plating                                    |
| T               | Tin Plated (for Stamped & Formed Contacts) |
| S               | Silver Plated 5Um (for Machined Contacts)  |
| F               | Gold Plated                                |
| G5              | Gold Plated (Thickness 5μ")                |
| G10             | Gold Plated (Thickness 10μ")               |
| G15             | Gold Plated (Thickness 15μ")               |
| G30             | Gold Plated (Thickness 30μ")               |

| Standard Quantity Order Options |                   |
|---------------------------------|-------------------|
| Machined                        | Stamped & Formed  |
| Bulk Package, 500 Pieces        | Reel, 3000 Pieces |

**Amphenol Sine Systems**  
 44724 Morley Drive  
 Clinton Township, MI 48036 USA  
[www.amphenol-sine.com](http://www.amphenol-sine.com)  
 04/2021

## X-ON Electronics

Largest Supplier of Electrical and Electronic Components

*Click to view similar products for [Standard Circular Connector](#) category:*

*Click to view products by [Amphenol](#) manufacturer:*

Other Similar products are found below :

[5M2530B10P](#) [600259N006](#) [600273N007](#) [6134-336-13149](#) [6134-337-11149](#) [6134-337-2390](#) [6134-341-17149](#) [6280-4SG-516](#) [6280-7SG-3DC](#)  
[6290](#) [6291A](#) [66200A-10](#) [680-SMG](#) [681-PMG](#) [CXS3102A14S2P](#) [CXS3102A181S](#) [7251-6SG-300](#) [7271-6SG-300](#) [7282-3PG-300-CH3](#) [75-](#)  
[474014-05S](#) [75-474618-01S](#) [75-474618-04P](#) [75-474618-04S](#) [799539-000](#) [MI8-SE](#) [805-005-07NF11-19PC](#) [805-005-07NF15-7PA](#) [8280-4PG-](#)  
[516](#) [8280-7PG-519](#) [8282-5PG-519](#) [836783-1](#) [MP-4102-25P-C](#) [862256-1](#) [864019-2](#) [866857-1](#) [867865-1](#) [PT01SP-14-18P](#) [PT08P-14-5S](#)  
[PTSF06SE-14-12S](#) [120-1833-000](#) [QCM019PC2DC012B](#) [1-2069279-1](#) [121583-0217](#) [121667-0020](#) [129591AU](#) [1000B BULK](#) [RD10A16-19-](#)  
[P6CS051/1](#) [RD10A20-31-P8CS051/1](#) [RD16A14-12-S6CS051/2](#) [1301240290](#) [1301240347](#)