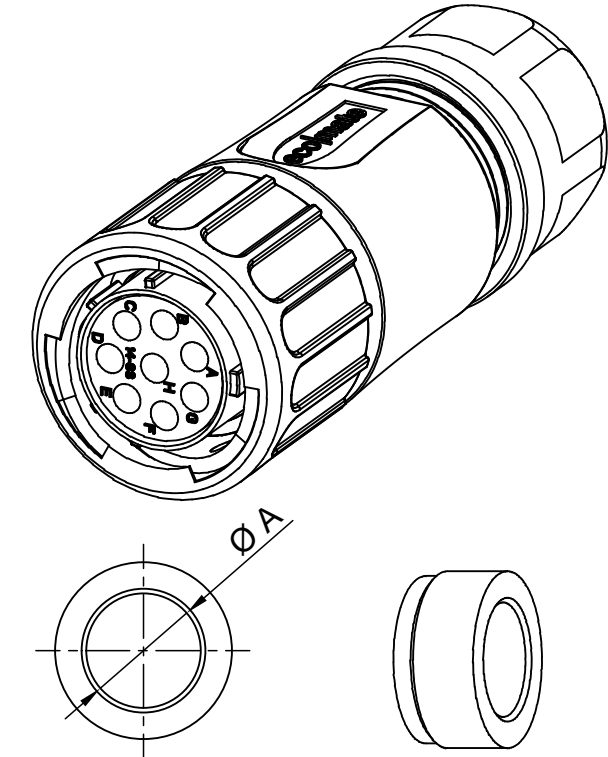
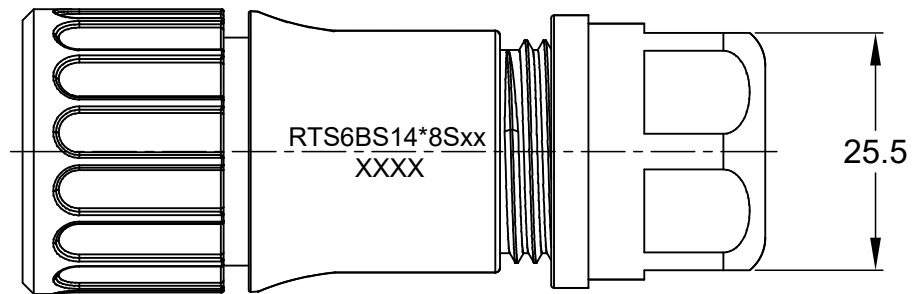
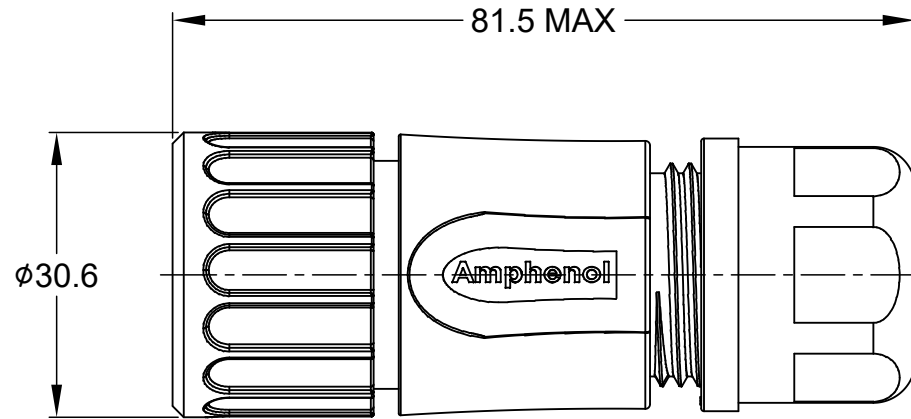
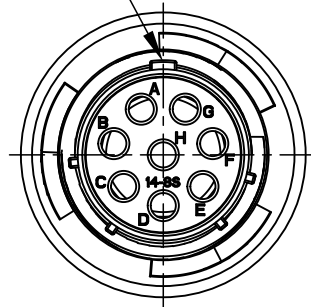


MASTER KEYWAY



| REVISIONS | | | | | |
|-----------|-----|-----------------------|-------------|-------|-------|
| REV | ECO | DESCRIPTION | DATE | BY | APPR |
| A1 | -- | RELEASED DRAWING | AUG-09-16 | JARRY | TOMMY |
| A2 | -- | UPDATE NOTES | Jun-22-2017 | Nick | TOMMY |
| A3 | -- | UPDATE CABLE OD RANGE | Aug-24-2017 | Nick | TOMMY |
| A4 | -- | UPDATE CABLE OD RANGE | Feb-07-2017 | Nick | TOMMY |
| A5 | -- | UPDATE DRAWING | Mar-20-2018 | White | Tommy |

NOTES : (UNLESS OTHERWISE SPECIFIED)

1. MATERIAL :

- SHELL : THERMOPLASTIC , UL94 V-0.
- INSERT : THERMOPLASTIC , UL94 V-0.
- COUPLING NUT : THERMOPLASTIC , UL94 V-0.
- O-RING : NBR OR SILICONE RUBBER.
- WASHER : SILICONE RUBBER.
- BACK SHELL : THERMOPLASTIC , UL94 V-0.
- CLAMP NUT : THERMOPLASTIC , UL94 V-0.
- CLAMP RING : THERMOPLASTIC , UL94 V-0.
- CABLE SEAL : EPDM.

2. SPECIFICATIONS :

- 2.1 RATED CURRENT : 13A (MAX).
- 2.2 RATED VOLTAGE : 500V(AC/DC).
- 2.3 OPERATING TEMPERATURE : SEE TABLE .
- 2.4 DIELECTRIC WITHSTANDING VOLTAGE : LESS THAN 2 MILLIAMPS CURRENT LEAKAGE@2000 VOLTS AC.
- 2.5 INSULATION RESISTANCE : 5000 MEGOHMS MIN.
- 2.6 IP CLASS : IP67 AND IP69K IN THE MATED CONDITION.
- 2.7 MATING CYCLES DURABILITY : 500 CYCLES MIN.
- 2.8 RoHS COMPLIANT.

3. SUITABLE CONTACTS : 16# CONTACT.

4. ALL DIMENSIONS ARE FOR REFERENCE USE ONLY.

| DIMENSION ØA | CABLE OD RANGE |
|--------------|----------------|
| 12.3MM | 6.0-12.0MM |
| 14.3MM | 9.0-14.0MM |

| KEY | PART NUMBER | |
|-----|-------------|----------------|
| | | -40°C ~ +105°C |
| N | RTS6BS14N8S | RTS6BS14N8S03 |

| QUANTITY | PART NUMBER | DESCRIPTION | ITEM |
|----------------------------------------------------------------------------------------------------------------------------------------------------------------------------------|-------------|------------------------------------------------------------------------------------------|---------------------------------------------------|
| MATERIALS LIST | | | |
| UNLESS OTHERWISE SPECIFIED 1) All dimensions are in metric(mm). 2) Tolerances are as follows: 1 PL DEC ±0.30 2 PL DEC ±0.15 3 PL DEC ±0.08 3) Note reference = | | SIGNATURES DRAWN: White CHECKED: Tod ENGINEER: APPROVAL: Tommy | DATE Mar-20-2018 Mar-20-2018 Mar-20-2018 |
| MATERIAL SPECIFICATIONS: | | Amphenol | |
| PROCESS SPECIFICATIONS: | | Sine Systems - www.amphenol-sine.com 44724 Morley Drive Clinton Township, MI 48036 | |
| NEXT ASSY: | | CUSTOMER: ECO-MATE, PLUG, BACK SHELL, SIZE 14,8POS, SOCKET | |
| | | SIZE: B C- | REVISION: A5 |
| | | SCALE: NONE | SHEET 1 OF 1 |

TITLE: ECO-MATE PLUG BACK SHELL SIZE 14,8POS, SOCKET
DWG NO: RTS6BS14*8Sxx
REV: A5
SH: 1
OF: 1

ecomate® RM/RSSM/Aquarius™ - Contact Size 16 Options

| Machined, Crimp Contacts | | | | |
|--------------------------|------------|-------|-------------------------------|------------|
| Part Number | | AWG | Wire Range (mm ²) | Plating |
| Male | Female | | | |
| MP14M23F | MS14M23F | 14 | 2.0-2.5 | Gold Flash |
| MP14M23G5 | MS14M23G5 | 14 | 2.0-2.5 | Gold 5μ" |
| MP14M23G10 | MS14M23G10 | 14 | 2.0-2.5 | Gold 10μ" |
| MP14M23G15 | MS14M23G15 | 14 | 2.0-2.5 | Gold 15μ" |
| MP14M23G30 | MS14M23G30 | 14 | 2.0-2.5 | Gold 30μ" |
| MP16M23F | MS16M23F | 18-16 | .75-1.5 | Gold Flash |
| MP16M23G5 | MS16M23G5 | 18-16 | .75-1.5 | Gold 5μ" |
| MP16M23G10 | MS16M23G10 | 18-16 | .75-1.5 | Gold 10μ" |
| MP16M23G15 | MS16M23G15 | 18-16 | .75-1.5 | Gold 15μ" |
| MP16M23G30 | MS16M23G30 | 18-16 | .75-1.5 | Gold 30μ" |
| MP20M23F | MS20M23F | 22-20 | .34-.50 | Gold Flash |
| MP20M23G5 | MS20M23G5 | 22-20 | .34-.50 | Gold 5μ" |
| MP20M23G10 | MS20M23G10 | 22-20 | .34-.50 | Gold 10μ" |
| MP20M23G15 | MS20M23G15 | 22-20 | .34-.50 | Gold 15μ" |
| MP20M23G30 | MS20M23G30 | 22-20 | .34-.50 | Gold 30μ" |
| MP24M23F | MS24M23F | 26-24 | .14-.25 | Gold Flash |
| MP24M23G5 | MS24M23G5 | 26-24 | .14-.25 | Gold 5μ" |
| MP24M23G10 | MS24M23G10 | 26-24 | .14-.25 | Gold 10μ" |
| MP24M23G15 | MS24M23G15 | 26-24 | .14-.25 | Gold 15μ" |
| MP24M23G30 | MS24M23G30 | 26-24 | .14-.25 | Gold 30μ" |

| Stamped & Formed, Crimp Contacts | | | | |
|----------------------------------|-----------|-------|-------------------------------|------------|
| Part Number | | AWG | Wire Range (mm ²) | Plating |
| Male | Female | | | |
| SP14M2F | SS14M2F | 14 | 2.0-2.5 | Gold Flash |
| SP14M2G5 | SS14M2G5 | 14 | 2.0-2.5 | Gold 5μ" |
| SP14M2G10 | SS14M2G10 | 14 | 2.0-2.5 | Gold 10μ" |
| SP14M2G15 | SS14M2G15 | 14 | 2.0-2.5 | Gold 15μ" |
| SP14M2G30 | SS14M2G30 | 14 | 2.0-2.5 | Gold 30μ" |
| SP16M2F | SS16M2F | 18-16 | .75-1.5 | Gold Flash |
| SP16M2G5 | SS16M2G5 | 18-16 | .75-1.5 | Gold 5μ" |
| SP16M2G10 | SS16M2G10 | 18-16 | .75-1.5 | Gold 10μ" |
| SP16M2G15 | SS16M2G15 | 18-16 | .75-1.5 | Gold 15μ" |
| SP16M2G30 | SS16M2G30 | 18-16 | .75-1.5 | Gold 30μ" |
| SP20M2F | SS20M2F | 22-20 | .34-.50 | Gold Flash |
| SP20M2G5 | SS20M2G5 | 22-20 | .34-.50 | Gold 5μ" |
| SP20M2G10 | SS20M2G10 | 22-20 | .34-.50 | Gold 10μ" |
| SP20M2G15 | SS20M2G15 | 22-20 | .34-.50 | Gold 15μ" |
| SP20M2G30 | SS20M2G30 | 22-20 | .34-.50 | Gold 30μ" |
| SP24M2F | SS24M2F | 22-20 | .14-.25 | Gold Flash |
| SP24M2G5 | SS24M2G5 | 26-24 | .14-.25 | Gold 5μ" |
| SP24M2G10 | SS24M2G10 | 26-24 | .14-.25 | Gold 10μ" |
| SP24M2G15 | SS24M2G15 | 26-24 | .14-.25 | Gold 15μ" |
| SP24M2G30 | SS24M2G30 | 26-24 | .14-.25 | Gold 30μ" |

| Tooling, Machined | |
|-------------------|----------------------------------------------|
| Part Number | Description |
| QXRT16 | Contact Extraction Tool, #16 (Ø 1.6) Contact |
| MFY-3959 | Hand Crimp Tool for Machined Contacts |
| MFY-3960 | Pneumatic Crimp Tool for Machined Contact |

| Tooling, Stamped & Formed | |
|---------------------------|--------------------------------------------------------|
| Part Number | Description |
| QXRT16 | Contact Extraction Tool, #16 (Ø 1.6) Contact |
| MFY-3954 | Hand Tool, Stamped & Formed Contact, Size 16, 20-14AWG |
| MFY-3957 | Crimp Die, Stamped & Formed Contact |

| Plating Options | |
|-----------------|--------------------------------------------|
| Symbol | Plating |
| T | Tin Plated (for Stamped & Formed Contacts) |
| S | Silver Plated 5Um (for Machined Contacts) |
| F | Gold Plated |
| G5 | Gold Plated (Thickness 5μ") |
| G10 | Gold Plated (Thickness 10μ") |
| G15 | Gold Plated (Thickness 15μ") |
| G30 | Gold Plated (Thickness 30μ") |

| Standard Quantity Order Options | |
|---------------------------------|-------------------|
| Machined | Stamped & Formed |
| Bulk Package, 500 Pieces | Reel, 3000 Pieces |

Amphenol Sine Systems
 44724 Morley Drive
 Clinton Township, MI 48036 USA
www.amphenol-sine.com
 04/2021

X-ON Electronics

Largest Supplier of Electrical and Electronic Components

Click to view similar products for [Standard Circular Connector](#) category:

Click to view products by [Amphenol](#) manufacturer:

Other Similar products are found below :

[5M2530B10P](#) [600259N006](#) [600273N007](#) [6134-336-13149](#) [6134-337-11149](#) [6134-337-2390](#) [6134-341-17149](#) [6280-4SG-516](#) [6280-7SG-3DC](#)
[6290](#) [6291A](#) [66200A-10](#) [680-SMG](#) [681-PMG](#) [CXS3102A14S2P](#) [CXS3102A181S](#) [7251-6SG-300](#) [7271-6SG-300](#) [7282-3PG-300-CH3](#) [75-](#)
[474014-05S](#) [75-474618-01S](#) [75-474618-04P](#) [75-474618-04S](#) [799539-000](#) [MI8-SE](#) [805-005-07NF11-19PC](#) [805-005-07NF15-7PA](#) [8280-4PG-](#)
[516](#) [8280-7PG-519](#) [8282-5PG-519](#) [836783-1](#) [MP-4102-25P-C](#) [862256-1](#) [864019-2](#) [866857-1](#) [867865-1](#) [PT01SP-14-18P](#) [PT08P-14-5S](#)
[PTSF06SE-14-12S](#) [120-1833-000](#) [QCM019PC2DC012B](#) [1-2069279-1](#) [121583-0217](#) [121667-0020](#) [129591AU](#) [1000B BULK](#) [RD10A16-19-](#)
[P6CS051/1](#) [RD10A20-31-P8CS051/1](#) [RD16A14-12-S6CS051/2](#) [1301240290](#) [1301240347](#)