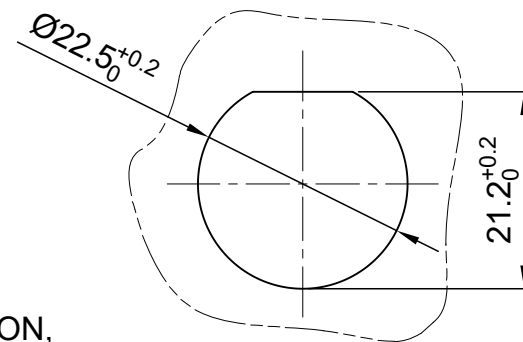
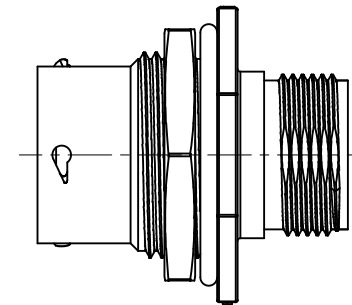
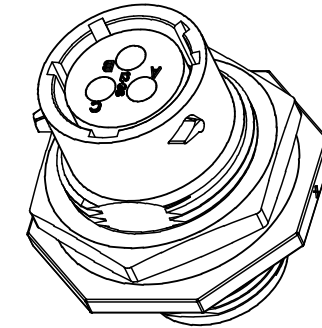
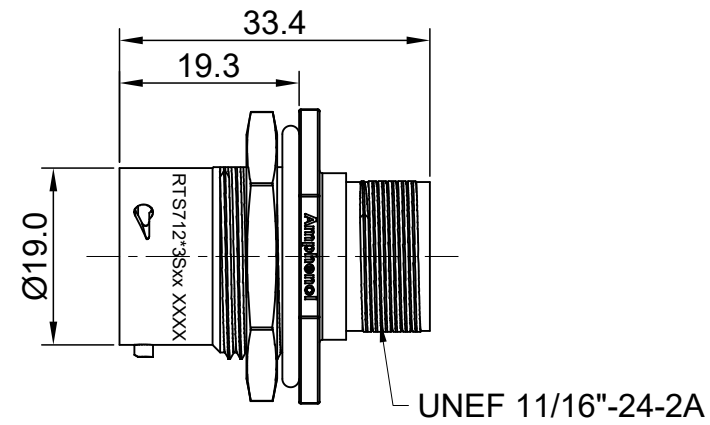
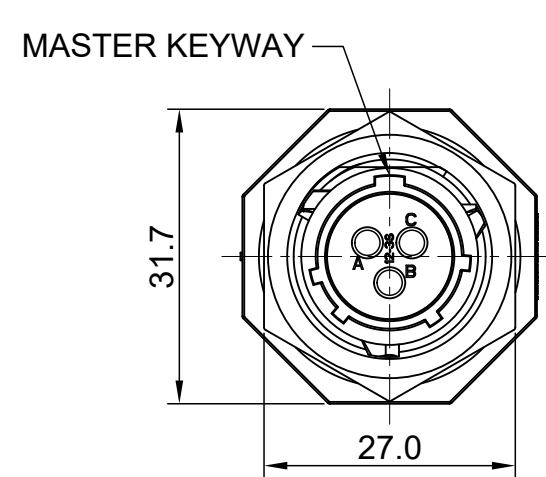


| REVISIONS | | | | | |
|-----------|-----|----------------|-------------|-------|-------|
| REV | ECO | DESCRIPTION | DATE | BY | APPR |
| A1 | -- | FIRST RELEASED | Jun.15,2016 | Drack | Tommy |
| A2 | -- | UPDATE NOTES | Jun-21-2017 | Nick | Tommy |
| A3 | -- | UPDATE DRAWING | Mar-19-2018 | White | Tommy |



NOTES : (UNLESS OTHERWISE SPECIFIED)

- MATERIAL :
SHELL : THERMOPLASTIC , UL94 V-0.
INSERT : THERMOPLASTIC , UL94 V-0.
O-RING : NBR OR SILICONE RUBBER.
SEAL GASKET : NBR OR SILICONE RUBBER.
JAM NUT : ALUMINIUM ALLOY , BLACK ANODIZING.
- SPECIFICATIONS :
2.1, RATED CURRENT : 13A (MAX).
2.2, RATED VOLTAGE : 600V(AC/DC).
2.3, OPERATING TEMPERATURE : SEE TABLE.
2.4, DIELECTRIC WITHSTANDING VOLTAGE : LESS THAN 2 MILLIAMPS CURRENT LEAKAGE@2000 VOLTS AC.
2.5, INSULATION RESISTANCE : 5000 MEGOHMS MIN.
2.6, IP-CLASS : IP67 AND IP69K IN THE MATED CONDITION, PANEL EXTERNAL.
2.7, MATING CYCLES DURABILITY : 500 CYCLES MIN.
2.8, RoHS COMPLIANT.
- SUITABLE CONTACTS : 16# CONTACT.
- ALL DIMENSIONS ARE FOR REFERENCE USE ONLY.

| KEY | PART NUMBER | |
|-----|-------------|---------------|
| | | -40°C ~ 105°C |
| N | RTS712N3S | RTS712N3S03 |

| QUANTITY | PART NUMBER | DESCRIPTION | ITEM |
|--|-------------|--|---|
| MATERIALS LIST | | | |
| UNLESS OTHERWISE SPECIFIED 1) All dimensions are in metric(mm). 2) Tolerances are as follows: 1 PL DEC ±0.30 2 PL DEC ±0.15 3 PL DEC ±0.08 3) Note reference = | | SIGNATURES DRAWN: White CHECKED: Tod ENGINEER: APPROVAL: Tommy | DATE Mar-19-2018 Mar-19-2018 Mar-19-2018 |
| MATERIAL SPECIFICATIONS: | | Amphenol Sine Systems - www.amphenol-sine.com 44724 Morley Drive Clinton Township, MI 48036 | |
| PROCESS SPECIFICATIONS: | | ECO-MATE, RECEPTACLE, JAM NUT, 3POS, SOCKET CONTACT, SIZE 12 | |
| NEXT ASSY: | | THIS DRAWING IS SUPPLIED FOR INFORMATION ONLY. DESIGN FEATURES, SPECIFICATIONS AND PERFORMANCE DATA SHOWN HEREON ARE THE PROPERTY OF THE AMPHENOL CORPORATION. NO RIGHTS OF REPRODUCTION ARE IMPLIED. ALL DIMENSIONS ARE SUBJECT TO NORMAL MANUFACTURING VARIATIONS. | SIZE: B C- TYPE: NONE DWG NO: RTS712*3Sxx REVISION: A3 |
| | | SCALE: NONE | SHEET 1 OF 1 |

TITLE: ECO-MATE, RECEPTACLE, JAM NUT, 3POS, SOCKET CONTACT, SIZE 12
DWG NO: RTS712*3Sxx
REV: A3
SH: 1
OF: 1

ecomate® RM/RSSM/Aquarius™ - Contact Size 16 Options

| Machined, Crimp Contacts | | | | |
|--------------------------|------------|-------|-------------------------------|------------|
| Part Number | | AWG | Wire Range (mm ²) | Plating |
| Male | Female | | | |
| MP14M23F | MS14M23F | 14 | 2.0-2.5 | Gold Flash |
| MP14M23G5 | MS14M23G5 | 14 | 2.0-2.5 | Gold 5µ" |
| MP14M23G10 | MS14M23G10 | 14 | 2.0-2.5 | Gold 10µ" |
| MP14M23G15 | MS14M23G15 | 14 | 2.0-2.5 | Gold 15µ" |
| MP14M23G30 | MS14M23G30 | 14 | 2.0-2.5 | Gold 30µ" |
| MP16M23F | MS16M23F | 18-16 | .75-1.5 | Gold Flash |
| MP16M23G5 | MS16M23G5 | 18-16 | .75-1.5 | Gold 5µ" |
| MP16M23G10 | MS16M23G10 | 18-16 | .75-1.5 | Gold 10µ" |
| MP16M23G15 | MS16M23G15 | 18-16 | .75-1.5 | Gold 15µ" |
| MP16M23G30 | MS16M23G30 | 18-16 | .75-1.5 | Gold 30µ" |
| MP20M23F | MS20M23F | 22-20 | .34-.50 | Gold Flash |
| MP20M23G5 | MS20M23G5 | 22-20 | .34-.50 | Gold 5µ" |
| MP20M23G10 | MS20M23G10 | 22-20 | .34-.50 | Gold 10µ" |
| MP20M23G15 | MS20M23G15 | 22-20 | .34-.50 | Gold 15µ" |
| MP20M23G30 | MS20M23G30 | 22-20 | .34-.50 | Gold 30µ" |
| MP24M23F | MS24M23F | 26-24 | .14-.25 | Gold Flash |
| MP24M23G5 | MS24M23G5 | 26-24 | .14-.25 | Gold 5µ" |
| MP24M23G10 | MS24M23G10 | 26-24 | .14-.25 | Gold 10µ" |
| MP24M23G15 | MS24M23G15 | 26-24 | .14-.25 | Gold 15µ" |
| MP24M23G30 | MS24M23G30 | 26-24 | .14-.25 | Gold 30µ" |

| Stamped & Formed, Crimp Contacts | | | | |
|----------------------------------|-----------|-------|-------------------------------|------------|
| Part Number | | AWG | Wire Range (mm ²) | Plating |
| Male | Female | | | |
| SP14M2F | SS14M2F | 14 | 2.0-2.5 | Gold Flash |
| SP14M2G5 | SS14M2G5 | 14 | 2.0-2.5 | Gold 5µ" |
| SP14M2G10 | SS14M2G10 | 14 | 2.0-2.5 | Gold 10µ" |
| SP14M2G15 | SS14M2G15 | 14 | 2.0-2.5 | Gold 15µ" |
| SP14M2G30 | SS14M2G30 | 14 | 2.0-2.5 | Gold 30µ" |
| SP16M2F | SS16M2F | 18-16 | .75-1.5 | Gold Flash |
| SP16M2G5 | SS16M2G5 | 18-16 | .75-1.5 | Gold 5µ" |
| SP16M2G10 | SS16M2G10 | 18-16 | .75-1.5 | Gold 10µ" |
| SP16M2G15 | SS16M2G15 | 18-16 | .75-1.5 | Gold 15µ" |
| SP16M2G30 | SS16M2G30 | 18-16 | .75-1.5 | Gold 30µ" |
| SP20M2F | SS20M2F | 22-20 | .34-.50 | Gold Flash |
| SP20M2G5 | SS20M2G5 | 22-20 | .34-.50 | Gold 5µ" |
| SP20M2G10 | SS20M2G10 | 22-20 | .34-.50 | Gold 10µ" |
| SP20M2G15 | SS20M2G15 | 22-20 | .34-.50 | Gold 15µ" |
| SP20M2G30 | SS20M2G30 | 22-20 | .34-.50 | Gold 30µ" |
| SP24M2F | SS24M2F | 22-20 | .14-.25 | Gold Flash |
| SP24M2G5 | SS24M2G5 | 26-24 | .14-.25 | Gold 5µ" |
| SP24M2G10 | SS24M2G10 | 26-24 | .14-.25 | Gold 10µ" |
| SP24M2G15 | SS24M2G15 | 26-24 | .14-.25 | Gold 15µ" |
| SP24M2G30 | SS24M2G30 | 26-24 | .14-.25 | Gold 30µ" |

| Tooling, Machined | |
|-------------------|--|
| Part Number | Description |
| QXRT16 | Contact Extraction Tool, #16 (Ø 1.6) Contact |
| MFY-3959 | Hand Crimp Tool for Machined Contacts |
| MFY-3960 | Pneumatic Crimp Tool for Machined Contact |

| Tooling, Stamped & Formed | |
|---------------------------|--|
| Part Number | Description |
| QXRT16 | Contact Extraction Tool, #16 (Ø 1.6) Contact |
| MFY-3954 | Hand Tool, Stamped & Formed Contact, Size 16, 20-14AWG |
| MFY-3957 | Crimp Die, Stamped & Formed Contact |

| Plating Options | |
|-----------------|--|
| Symbol | Plating |
| T | Tin Plated (for Stamped & Formed Contacts) |
| S | Silver Plated 5Um (for Machined Contacts) |
| F | Gold Plated |
| G5 | Gold Plated (Thickness 5µ") |
| G10 | Gold Plated (Thickness 10µ") |
| G15 | Gold Plated (Thickness 15µ") |
| G30 | Gold Plated (Thickness 30µ") |

| Standard Quantity Order Options | |
|---------------------------------|-------------------|
| Machined | Stamped & Formed |
| Bulk Package, 500 Pieces | Reel, 3000 Pieces |

Amphenol Sine Systems
 44724 Morley Drive
 Clinton Township, MI 48036 USA
www.amphenol-sine.com
 04/2021

X-ON Electronics

Largest Supplier of Electrical and Electronic Components

Click to view similar products for [Standard Circular Connector](#) category:

Click to view products by [Amphenol](#) manufacturer:

Other Similar products are found below :

[5M2530B10P](#) [600259N006](#) [600273N007](#) [6134-336-13149](#) [6134-337-11149](#) [6134-337-2390](#) [6134-341-17149](#) [6280-4SG-516](#) [6280-7SG-3DC](#)
[6290](#) [6291A](#) [66200A-10](#) [680-SMG](#) [681-PMG](#) [CXS3102A14S2P](#) [CXS3102A181S](#) [7251-6SG-300](#) [7271-6SG-300](#) [7282-3PG-300-CH3](#) [75-](#)
[474014-05S](#) [75-474618-01S](#) [75-474618-04P](#) [75-474618-04S](#) [799539-000](#) [MI8-SE](#) [805-005-07NF11-19PC](#) [805-005-07NF15-7PA](#) [8280-4PG-](#)
[516](#) [8280-7PG-519](#) [8282-5PG-519](#) [836783-1](#) [MP-4102-25P-C](#) [862256-1](#) [864019-2](#) [866857-1](#) [867865-1](#) [PT01SP-14-18P](#) [PT08P-14-5S](#)
[PTSF06SE-14-12S](#) [120-1833-000](#) [QCM019PC2DC012B](#) [1-2069279-1](#) [121583-0217](#) [121667-0020](#) [129591AU](#) [1000B BULK](#) [RD10A16-19-](#)
[P6CS051/1](#) [RD10A20-31-P8CS051/1](#) [RD16A14-12-S6CS051/2](#) [1301240290](#) [1301240347](#)