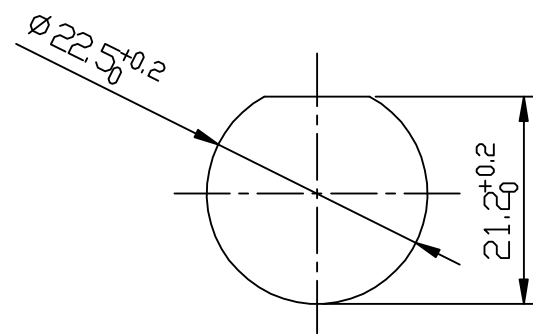
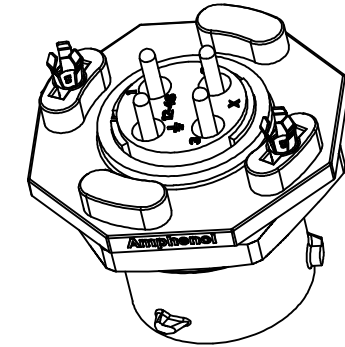
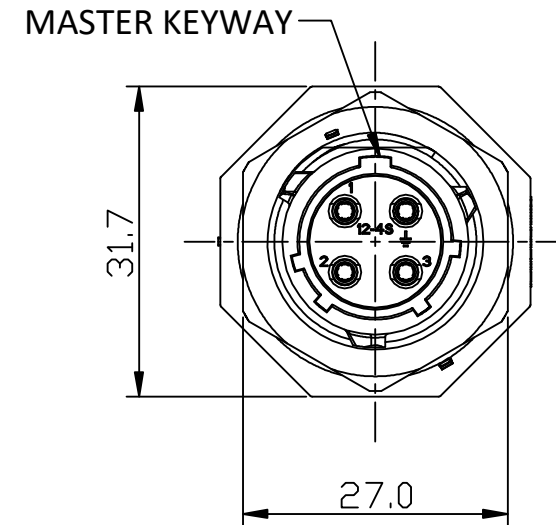
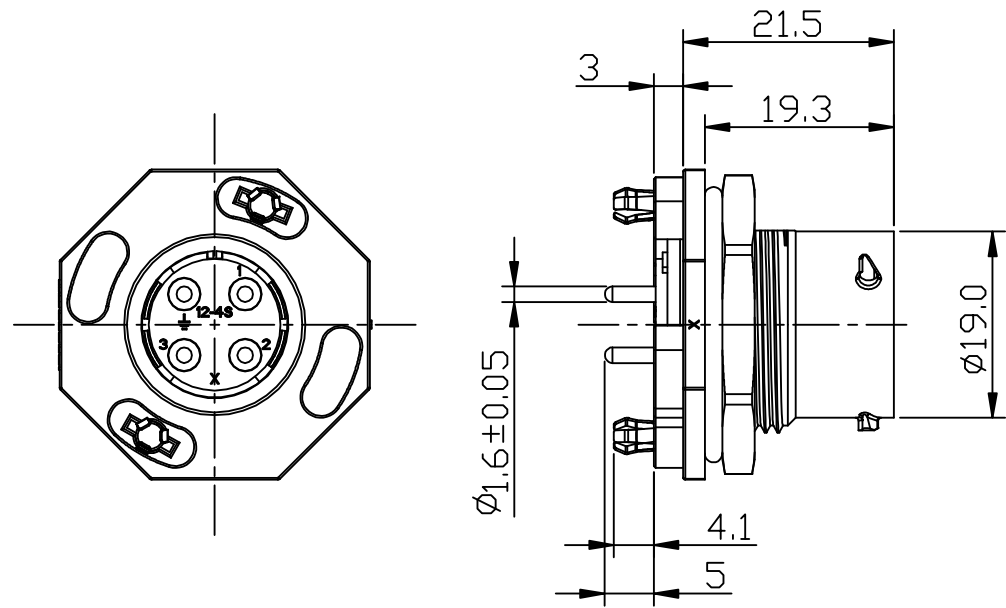
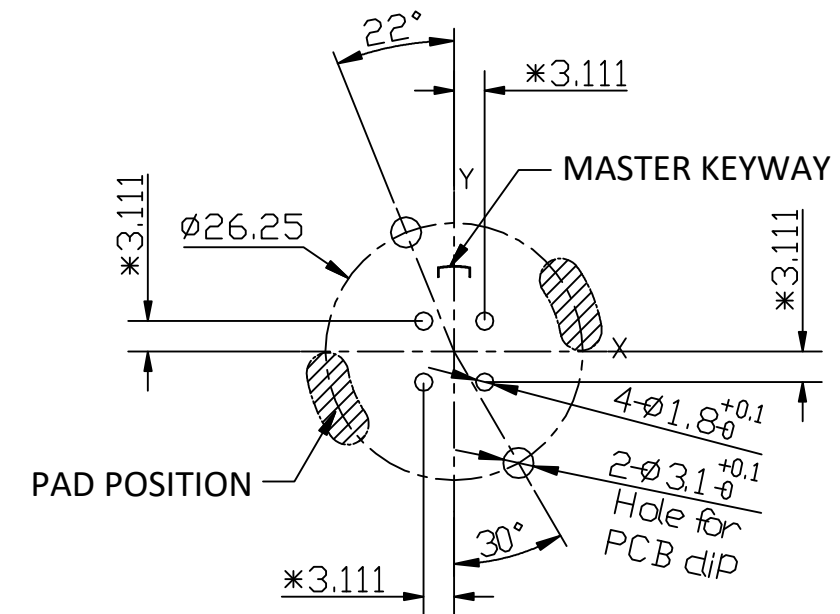


REVISIONS					
REV	ECD	DESCRIPTION	DATE	BY	APPR
A1	-	RELEASED DRAWING	Jul-30-2019	Ronald	Tommy



RECOMMEND MOUNTING HOLE



RECOMMEND PCB LAYOUT

NOTES: (UNLESS OTHERWISE SPECIFIED)

1. MATERIAL:

- SHELL: THERMOPLASTIC, UL94 V-0.
- INSERT: THERMOPLASTIC, UL94 V-0.
- O-RING: SILICONE RUBBER.
- SEAL GASKET: SILICONE RUBBER.
- JAM NUT: ALUMINIUM ALLOY, BLACK ANODIZING.
- CONTACT: COPPER ALLOY, GOLD PLATED.
- LOCKING POSTS: COPPER ALLOY, TIN PLATED.

2. SPECIFICATIONS:

- 2.1 RATED CURRENT: 13A (MAX).
- 2.2, RATED VOLTAGE: 500V (AC/DC).
- 2.3, OPERATING TEMPERATURE: -40C - 125C.
- 2.4 DIELECTRIC WITHSTANDING VOLTAGE: LESS THAN 2 MILLIAMPS CURRENT LEAKAGE@2000 VOLTS AC.
- 2.5 INSULATION RESISTANCE: 5000 MEGOHMS MIN.
- 2.6 IP--CLASS: IP67 AND IP69K IN THE MATED CONDITION.
- 2.7 MATING CYCLES DURABILITY: 500 CYCLES MIN.
- 2.8 RoHS COMPLIANT.

3. SUITABLE CONTACTS: 16# CONTACT

4. ALL DIMENSIONS ARE FOR REFERENCE USE ONLY.

KEY	PART NUMBER
N	RTS712ND4S0332
W	RTS712WD4S0332
X	RTS712XD4S0332
Y	RTS712YD4S0332
Z	RTS712ZD4S0332

QUANTITY	PART NUMBER	DESCRIPTION	ITEM												
MATERIALS LIST															
UNLESS OTHERWISE SPECIFIED 1) All dimensions are in metric (mm). 2) Tolerances are as follows: 1 PL DEC ±0.30 2 PL DEC ±0.15 3 PL DEC ±0.08 Fractions ±1/64 Angles ±1° 3) Note reference = X		<table border="1"> <thead> <tr> <th>SIGNATURES</th> <th>DATE</th> </tr> </thead> <tbody> <tr> <td>DRAWN: Ronald</td> <td>Jul-30-2019</td> </tr> <tr> <td>CHECKED: Martin</td> <td>Jul-30-2019</td> </tr> <tr> <td>ENGINEER:</td> <td></td> </tr> <tr> <td>APPROVAL: Tommy</td> <td>Jul-30-2019</td> </tr> <tr> <td>CUSTOMER:</td> <td></td> </tr> </tbody> </table>		SIGNATURES	DATE	DRAWN: Ronald	Jul-30-2019	CHECKED: Martin	Jul-30-2019	ENGINEER:		APPROVAL: Tommy	Jul-30-2019	CUSTOMER:	
SIGNATURES	DATE														
DRAWN: Ronald	Jul-30-2019														
CHECKED: Martin	Jul-30-2019														
ENGINEER:															
APPROVAL: Tommy	Jul-30-2019														
CUSTOMER:															
MATERIAL SPECIFICATIONS:															
PROCESS SPECIFICATIONS:		Sine Systems - www.amphenol-sine.com 44724 Morley Drive Clinton Township, MI 48036													
NEXT ASS'Y:		ECOMATE® AQUARIUS™, RECEPTACLE, JAM NUT, 4POS, SOCKET CONTACT, SIZE 12													
		SIZE: B C- TYPE: C- DWG NO: RTS712*D4S0332 SCALE: NONE REVISION: A1	SHEET 1 OF 1												

TITLE: ECOMATE RECEPTACLE, JAM NUT, 4POS, SOCKET CONTACT, SIZE 12
 DWG NO: RTS712D4S0332
 REV: A1
 SH: 1
 DT: 1

X-ON Electronics

Largest Supplier of Electrical and Electronic Components

Click to view similar products for [Standard Circular Connector](#) category:

Click to view products by [Amphenol](#) manufacturer:

Other Similar products are found below :

[5M2530B10P](#) [600259N006](#) [600273N007](#) [6134-336-13149](#) [6134-337-11149](#) [6134-337-2390](#) [6134-341-17149](#) [6280-4SG-516](#) [6280-7SG-3DC](#)
[6290](#) [6291A](#) [66200A-10](#) [680-SMG](#) [681-PMG](#) [CXS3102A14S2P](#) [CXS3102A181S](#) [7251-6SG-300](#) [7271-6SG-300](#) [7282-3PG-300-CH3](#) [75-](#)
[474014-05S](#) [75-474618-01S](#) [75-474618-04P](#) [75-474618-04S](#) [799539-000](#) [MI8-SE](#) [805-005-07NF11-19PC](#) [805-005-07NF15-7PA](#) [8280-4PG-](#)
[516](#) [8280-7PG-519](#) [8282-5PG-519](#) [836783-1](#) [MP-4102-25P-C](#) [862256-1](#) [864019-2](#) [866857-1](#) [867865-1](#) [PT01SP-14-18P](#) [PT08P-14-5S](#)
[PTSF06SE-14-12S](#) [120-1833-000](#) [QCM019PC2DC012B](#) [1-2069279-1](#) [121583-0217](#) [121667-0020](#) [129591AU](#) [1000B BULK](#) [RD10A16-19-](#)
[P6CS051/1](#) [RD10A20-31-P8CS051/1](#) [RD16A14-12-S6CS051/2](#) [1301240290](#) [1301240347](#)