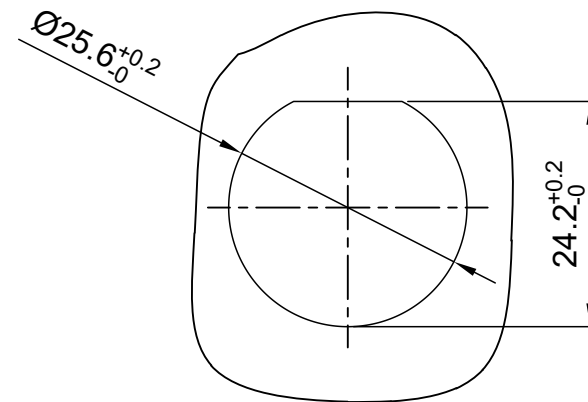
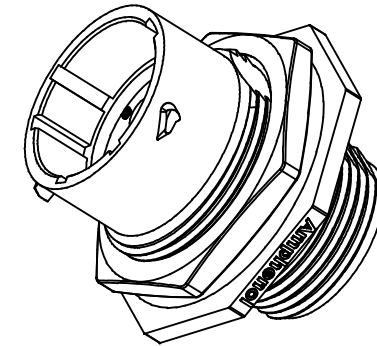
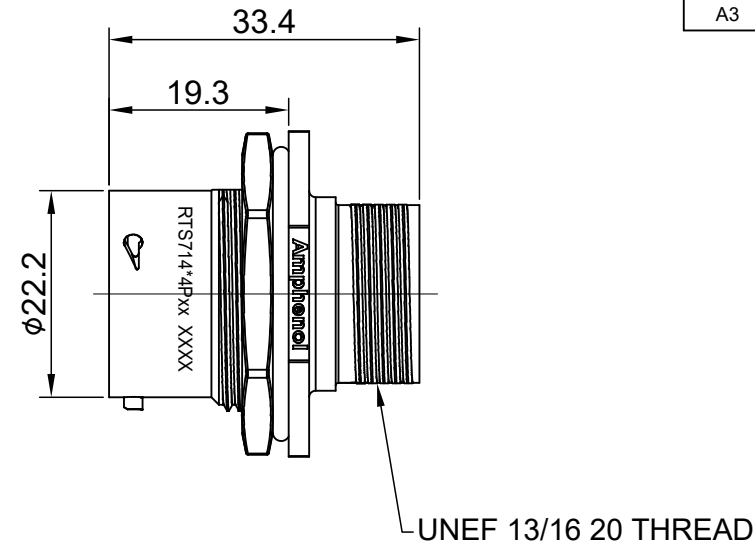
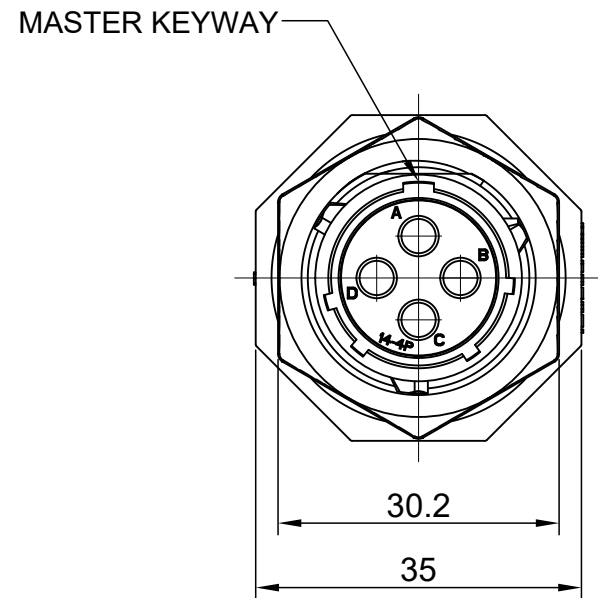


REVISIONS					
REV	ECO	DESCRIPTION	DATE	BY	APPR
A1	--	RELEASED DRAWING	JUN-3-16	JONY	TOMMY
A2	--	UPDATE NOTES	Jun-22-2017	Nick	TOMMY
A3	--	UPDATE DRAWING	Mar-20-2018	White	Tommy



PANEL CUTOUT REFERENCE  
THICKNESS:3.2MM (MAX)

NOTES : (UNLESS OTHERWISE SPECIFIED)

- MATERIAL :  
SHELL : THERMOPLASTIC , UL94 V-0.  
INSERT : THERMOPLASTIC , UL94 V-0.  
O-RING : NBR OR SILICONE RUBBER.  
SEAL GASKET : NBR OR SILICONE RUBBER.  
JAM NUT : ALUMINIUM ALLOY , BLACK ANODIZING.
- SPECIFICATIONS :  
2.1 RATED CURRENT : 23A (MAX).  
2.2 RATED VOLTAGE : 500V(AC/DC).  
2.3 OPERATING TEMPERATURE : SEE TABLE.  
2.4 DIELECTRIC WITHSTANDING VOLTAGE : LESS THAN  
2 MILLIAMPS CURRENT LEAKAGE@2000 VOLTS AC.  
2.5 INSULATION RESISTANCE : 5000 MEGOHMS MIN.  
2.6 IP CLASS : IP67 AND IP69K IN THE MATED CONDITION,  
PANEL EXTERNAL.  
2.7 MATING CYCLES DURABILITY : 500 CYCLES MIN.  
2.8 RoHS COMPLIANT.
- SUITABLE CONTACTS : 2.5MM CONTACT.
- ALL DIMENSIONS ARE FOR REFERENCE USE ONLY.

KEY	PART NUMBER	
		-40°C ~ 105°C
N	RTS714N4P	RTS714N4P03

QUANTITY	PART NUMBER	DESCRIPTION	ITEM
<b>MATERIALS LIST</b>			
UNLESS OTHERWISE SPECIFIED 1) All dimensions are in metric(mm). 2) Tolerances are as follows: 1 PL DEC ±0.30 2 PL DEC ±0.15 3 PL DEC ±0.08 3) Note reference =		SIGNATURES DRAWN: White CHECKED: Tod ENGINEER: APPROVAL: Tommy	DATE Mar-20-2018 Mar-20-2018 Mar-20-2018
MATERIAL SPECIFICATIONS:		 Sine Systems - www.amphenol-sine.com 44724 Morley Drive Clinton Township, MI 48036 ECO-MATE,RECEPTACLE, JAM NUT, SIZE 14,4POS,PIN.	
PROCESS SPECIFICATIONS:			
NEXT ASSY:		THIS DRAWING IS SUPPLIED FOR INFORMATION ONLY. DESIGN FEATURES, SPECIFICATIONS AND PERFORMANCE DATA SHOWN HEREON ARE THE PROPERTY OF THE AMPHENOL CORPORATION. NO RIGHTS OF REPRODUCTION ARE IMPLIED. ALL DIMENSIONS ARE SUBJECT TO NORMAL MANUFACTURING VARIATIONS.	SIZE: <b>B</b> TYPE: <b>C-</b> DWG NO: <b>RTS714*4Pxx</b> REVISION: <b>A3</b> SCALE: NONE SHEET 1 OF 1

TITLE: ECO-MATE RECEPTACLE, JAM NUT, SIZE 14,4POS, PIN

DWG NO:

RTS714\*4Pxx

REV: A3

SH: 1

OF: 1

## ecomate® RM/RSSM/Aquarius™ - Contact Size 12 Options

Machined, Crimp Contacts				
Part Number		AWG	Wire Range (mm <sup>2</sup> )	Plating
Male	Female			
N/A				

Tooling, Machined	
Part Number	Description
N/A	N/A

Plating Options	
Symbol	Plating
N/A	N/A

Stamped & Formed, Crimp Contacts				
Part Number		AWG	Wire Range (mm <sup>2</sup> )	Plating
Male	Female			
SP12A1T	SS12A1T	14-12	2.5-3.5	Tin

Tooling, Stamped & Formed	
Part Number	Description
QXRT12S	Contact Extraction Tool, 2.5mm Contact
MFY-3962	Hand Tool, Stamped & Formed Contact, 2.5mm Contact

Standard Quantity Order Options	
Machined	Stamped & Formed
N/A	Reel, 1000 Pieces

## X-ON Electronics

Largest Supplier of Electrical and Electronic Components

*Click to view similar products for [Standard Circular Connector](#) category:*

*Click to view products by [Amphenol](#) manufacturer:*

Other Similar products are found below :

[5M2530B10P](#) [600259N006](#) [600273N007](#) [6134-336-13149](#) [6134-337-11149](#) [6134-337-2390](#) [6134-341-17149](#) [6280-4SG-516](#) [6280-7SG-3DC](#)  
[6290](#) [6291A](#) [66200A-10](#) [680-SMG](#) [681-PMG](#) [CXS3102A14S2P](#) [CXS3102A181S](#) [7251-6SG-300](#) [7271-6SG-300](#) [7282-3PG-300-CH3](#) [75-](#)  
[474014-05S](#) [75-474618-01S](#) [75-474618-04S](#) [799539-000](#) [MI8-SE](#) [805-005-07NF11-19PC](#) [805-005-07NF15-7PA](#) [8280-4PG-516](#) [8280-7PG-](#)  
[519](#) [8282-5PG-519](#) [836783-1](#) [MP-4102-25P-C](#) [862256-1](#) [864019-2](#) [866857-1](#) [867865-1](#) [PT01SP-14-18P](#) [PT08P-14-5S](#) [PTSF06SE-14-12S](#)  
[120-1833-000](#) [QCM019PC2DC012B](#) [1-2069279-1](#) [121583-0217](#) [121667-0020](#) [129591AU](#) [1000B BULK](#) [RD10A16-19-P6CS051/1](#)  
[RD10A20-31-P8CS051/1](#) [RD16A14-12-S6CS051/2](#) [1301240290](#) [1301240347](#) [1301860202](#)