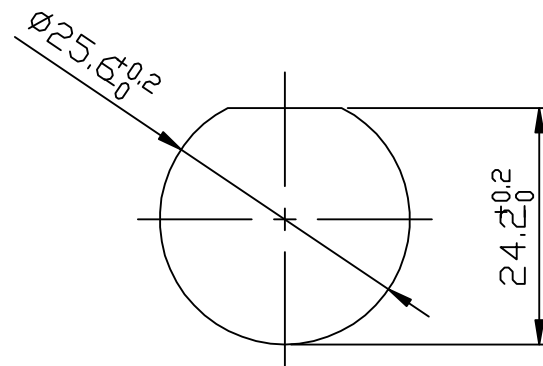
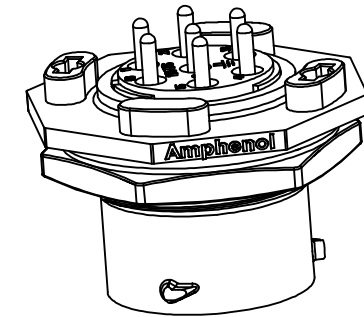
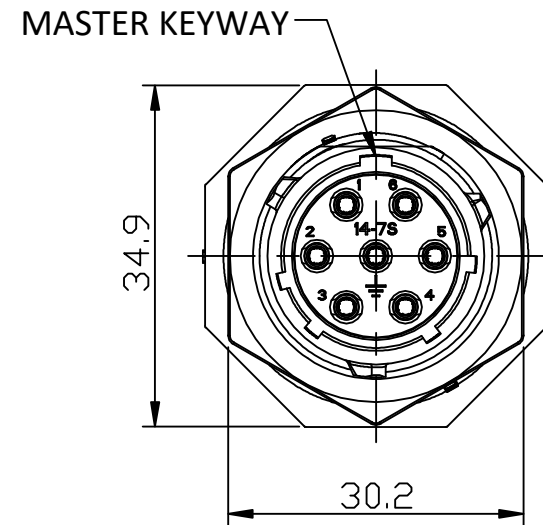
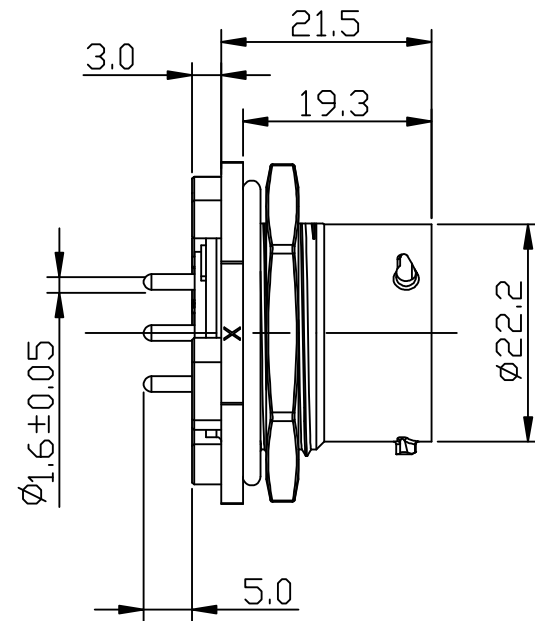
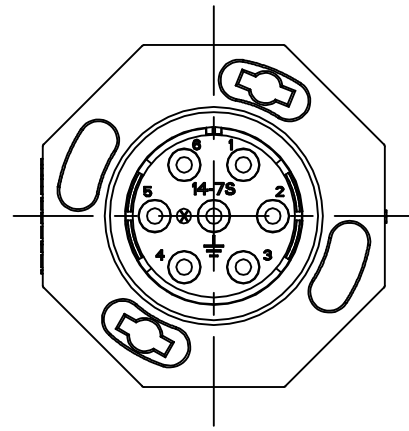
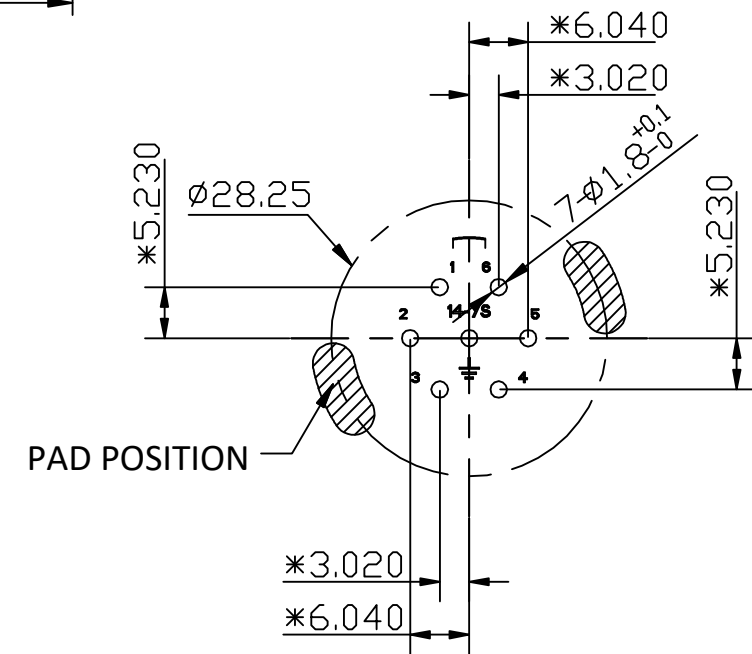


REVISIONS					
REV	ECO	DESCRIPTION	DATE	BY	APPR
A1	-	FIRST RELEASED	Jul-30-2019	Ronald	Tommy



RECOMMEND MOUNTING HOLE



RECOMMEND PCB LAYOUT

NOTES: (UNLESS OTHERWISE SPECIFIED)

- MATERIAL:
SHELL: THERMOPLASTIC, UL94 V-0.
INSERT: THERMOPLASTIC, UL94 V-0.
O-RING: SILICONE RUBBER.
SEAL GASKET: SILICONE RUBBER.
JAM NUT: ALUMINIUM ALLOY, BLACK ANODIZING.
CONTACT: COPPER ALLOY, GOLD PLATED.
- SPECIFICATIONS:
2.1 RATED CURRENT: 13A (MAX).
2.2, RATED VOLTAGE: 500V (AC/DC).
2.3, OPERATING TEMPERATURE: -40C - 125C.
2.4 DIELECTRIC WITHSTANDING VOLTAGE: LESS THAN 2 MILLIAMPS CURRENT LEAKAGE@2000 VOLTS AC.
2.5 INSULATION RESISTANCE: 5000 MEGOHMS MIN.
2.6 IP--CLASS: IP67 AND IP69K IN THE MATED CONDITION.
2.7 MATING CYCLES DURABILITY: 500 CYCLES MIN.
2.8 RoHS COMPLIANT.
- SUITABLE CONTACTS: 16# CONTACT
- ALL DIMENSIONS ARE FOR REFERENCE USE ONLY.

KEY	PART NUMBER
N	RTS714ND7S03
W	RTS714WD7S03
X	RTS714XD7S03
Y	RTS714YD7S03
Z	RTS714ZD7S03

QUANTITY	PART NUMBER	DESCRIPTION	ITEM
MATERIALS LIST			
UNLESS OTHERWISE SPECIFIED 1) All dimensions are in metric(mm). 2) Tolerances are as follows: 1 PL DEC ±0.30 2 PL DEC ±0.15 3 PL DEC ±0.08 3) Note reference =		SIGNATURES DATE DRAWN: <u>Ronald</u> <u>Jul-30-2019</u> CHECKED: <u>Marin</u> <u>Jul-30-2019</u> ENGINEER: APPROVAL: <u>Tommy</u> <u>Jul-30-2019</u> CUSTOMER:	
MATERIAL SPECIFICATIONS:		 Sine Systems - www.amphenol-sine.com 44724 Morley Drive Clinton Township, MI 48036	
PROCESS SPECIFICATIONS:		THIS DRAWING IS SUPPLIED FOR INFORMATION ONLY. DESIGN FEATURES, SPECIFICATIONS AND PERFORMANCE DATA SHOWN HEREON ARE THE PROPERTY OF THE AMPHENOL CORPORATION. NO RIGHTS OF REPRODUCTION ARE IMPLIED. ALL DIMENSIONS ARE SUBJECT TO NORMAL MANUFACTURING VARIATIONS.	
NEXT ASS'Y:	SIZE: B TYPE: C- SCALE: NONE	DVG NO: RTS714*D7S03 SHEET 1 OF 1	REVISION: A1

TITLE: ECOMATE® AQUARIUS™, RECEPTACLE, JAM NUT, 7POS, SOCKET CONTACT, DIP SOLDER, SIZE 14
 DWG NO: RTS714*D7S03
 REV: A1
 SH: 1
 DF: 1

X-ON Electronics

Largest Supplier of Electrical and Electronic Components

Click to view similar products for [Standard Circular Connector](#) category:

Click to view products by [Amphenol](#) manufacturer:

Other Similar products are found below :

[5M2530B10P](#) [600259N006](#) [600273N007](#) [6134-336-13149](#) [6134-337-11149](#) [6134-337-2390](#) [6134-341-17149](#) [6280-4SG-516](#) [6280-7SG-3DC](#)
[6290](#) [6291A](#) [66200A-10](#) [680-SMG](#) [681-PMG](#) [CXS3102A14S2P](#) [CXS3102A181S](#) [7251-6SG-300](#) [7271-6SG-300](#) [7282-3PG-300-CH3](#) [75-](#)
[474014-05S](#) [75-474618-01S](#) [75-474618-04S](#) [799539-000](#) [MI8-SE](#) [805-005-07NF11-19PC](#) [805-005-07NF15-7PA](#) [8280-4PG-516](#) [8280-7PG-](#)
[519](#) [8282-5PG-519](#) [836783-1](#) [MP-4102-25P-C](#) [862256-1](#) [864019-2](#) [866857-1](#) [867865-1](#) [PT01SP-14-18P](#) [PT08P-14-5S](#) [PTSF06SE-14-12S](#)
[120-1833-000](#) [QCM019PC2DC012B](#) [1-2069279-1](#) [121583-0217](#) [121667-0020](#) [129591AU](#) [1000B BULK](#) [RD10A16-19-P6CS051/1](#)
[RD10A20-31-P8CS051/1](#) [RD16A14-12-S6CS051/2](#) [1301240290](#) [1301240347](#) [1301860202](#)