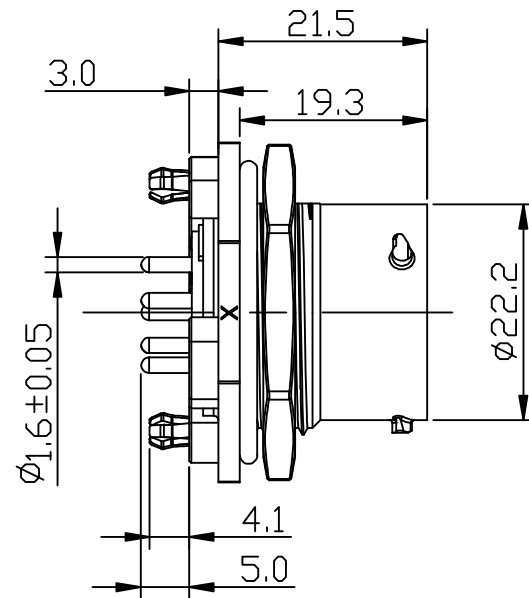
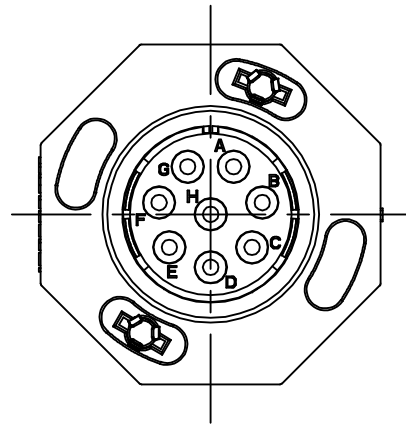
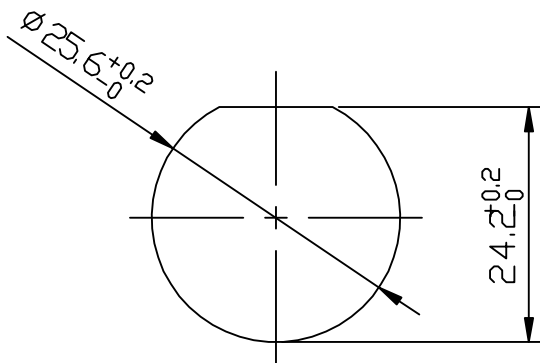
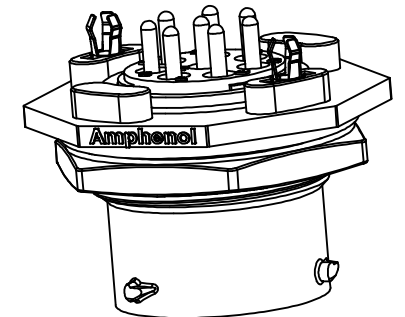
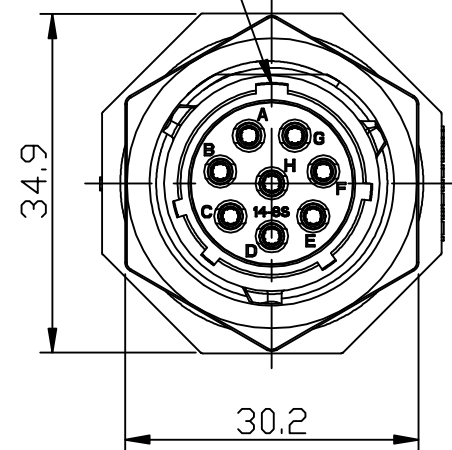


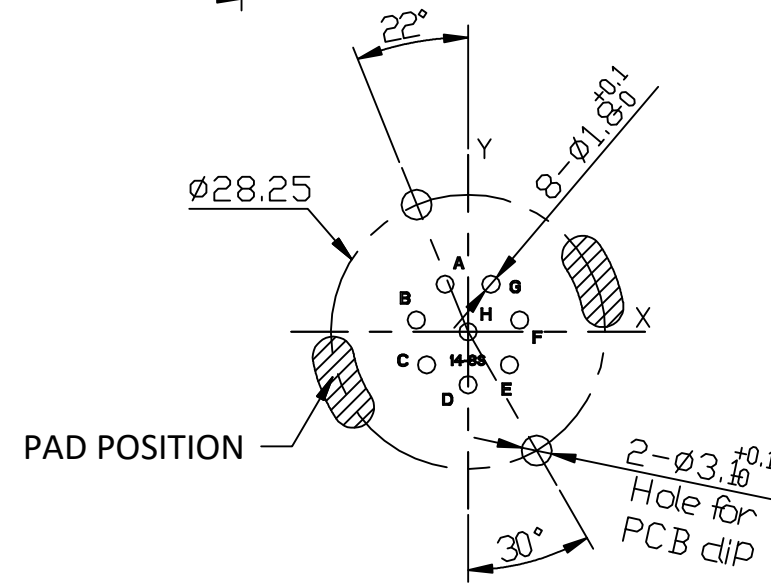
REVISIONS					
REV	ECO	DESCRIPTION	DATE	BY	APPR
A1	-	FIRST RELEASED	Jul-30-2019	Ronald	Tommy



MASTER KEYWAY



RECOMMEND MOUNTING HOLE



RECOMMEND PCB LAYOUT

Position number	X	Y
A	-2.364	4.910
B	-5.313	1.213
C	-4.261	-3.397
D	0.000	-5.450
E	4.261	-3.398
F	5.313	1.212
G	2.364	4.910
H	0.000	0.000

NOTES: (UNLESS OTHERWISE SPECIFIED)

1. MATERIAL:

SHELL: THERMOPLASTIC, UL94 V-0.

INSERT: THERMOPLASTIC, UL94 V-0.

O-RING: SILICONE RUBBER.

SEAL GASKET: SILICONE RUBBER.

JAM NUT: ALUMINIUM ALLOY, BLACK ANODIZING.

CONTACT: COPPER ALLOY, GOLD PLATED.

LOCKING POSTS: COPPER ALLOY, TIN PLATED.

2. SPECIFICATIONS:

2.1 RATED CURRENT: 13A (MAX).

2.2, RATED VOLTAGE: 500V (AC/DC).

2.3, OPERATING TEMPERATURE: -40C - 125C.

2.4 DIELECTRIC WITHSTANDING VOLTAGE: LESS THAN 2 MILLIAMPS CURRENT LEAKAGE@2000 VOLTS AC.

2.5 INSULATION RESISTANCE: 5000 MEGOHMS MIN.

2.6 IP--CLASS: IP67 AND IP69K IN THE MATED CONDITION.

2.7 MATING CYCLES DURABILITY: 500 CYCLES MIN.

2.8 RoHS COMPLIANT.

3. SUITABLE CONTACTS: 16# CONTACT

4. ALL DIMENSIONS ARE FOR REFERENCE USE ONLY.

KEY	PART NUMBER
N	RTS714ND8S0332
W	RTS714WD8S0332
X	RTS714XD8S0332
Y	RTS714YD8S0332
Z	RTS714ZD8S0332

QUANTITY	PART NUMBER	DESCRIPTION	ITEM												
MATERIALS LIST															
UNLESS OTHERWISE SPECIFIED 1) All dimensions are in metric(mm). 2) Tolerances are as follows: 1 PL DEC ±0.20 Fractions ±1/64 2 PL DEC ±0.15 Angles ±1° 3 PL DEC ±0.08 3) Note reference = Δ		<table border="1"> <thead> <tr> <th>SIGNATURES</th> <th>DATE</th> </tr> </thead> <tbody> <tr> <td>DRAWN: Ronald</td> <td>Jul-30-2019</td> </tr> <tr> <td>CHECKED: Martin</td> <td>Jul-30-2019</td> </tr> <tr> <td>ENGINEER:</td> <td></td> </tr> <tr> <td>APPROVAL: Tommy</td> <td>Jul-30-2019</td> </tr> <tr> <td>CUSTOMER:</td> <td></td> </tr> </tbody> </table>		SIGNATURES	DATE	DRAWN: Ronald	Jul-30-2019	CHECKED: Martin	Jul-30-2019	ENGINEER:		APPROVAL: Tommy	Jul-30-2019	CUSTOMER:	
SIGNATURES	DATE														
DRAWN: Ronald	Jul-30-2019														
CHECKED: Martin	Jul-30-2019														
ENGINEER:															
APPROVAL: Tommy	Jul-30-2019														
CUSTOMER:															
MATERIAL SPECIFICATIONS:		<p style="text-align: center; font-size: 2em;">Amphenol</p> <p>Sine Systems - www.amphenol-sine.com 44724 Morley Drive Clinton Township, MI 48036</p>													
PROCESS SPECIFICATIONS:		<p>ECOMATE® AQUARIUS™, RECEPTACLE, JAM NUT, 8POS, SOCKET CONTACT, DIPSOLDER, SIZE 14</p>													
NEXT ASS'Y:		<table border="1"> <thead> <tr> <th>SIZE</th> <th>TYPE</th> <th>DWG NO:</th> <th>REVISION</th> </tr> </thead> <tbody> <tr> <td>B</td> <td>C-</td> <td>RTS714*D8S0332</td> <td>A1</td> </tr> </tbody> </table>	SIZE	TYPE	DWG NO:	REVISION	B	C-	RTS714*D8S0332	A1					
SIZE	TYPE	DWG NO:	REVISION												
B	C-	RTS714*D8S0332	A1												
		SCALE: NONE	SHEET 1 OF 1												

TITLE: ECOMATE® AQUARIUS™ RECEPTACLE, JAM NUT, SOCKET CONTACT, DIPSOLDER, SIZE 14
 DVG NO: RTS714D8S0332
 REV: A1
 SH: 1
 DF: 1

X-ON Electronics

Largest Supplier of Electrical and Electronic Components

Click to view similar products for [Standard Circular Connector](#) category:

Click to view products by [Amphenol](#) manufacturer:

Other Similar products are found below :

[5M2530B10P](#) [600259N006](#) [600273N007](#) [6134-336-13149](#) [6134-337-11149](#) [6134-337-2390](#) [6134-341-17149](#) [6280-4SG-516](#) [6280-7SG-3DC](#)
[6290](#) [6291A](#) [66200A-10](#) [680-SMG](#) [681-PMG](#) [CXS3102A14S2P](#) [CXS3102A181S](#) [7251-6SG-300](#) [7271-6SG-300](#) [7282-3PG-300-CH3](#) [75-](#)
[474014-05S](#) [75-474618-01S](#) [75-474618-04P](#) [75-474618-04S](#) [799539-000](#) [MI8-SE](#) [805-005-07NF11-19PC](#) [805-005-07NF15-7PA](#) [8280-4PG-](#)
[516](#) [8280-7PG-519](#) [8282-5PG-519](#) [836783-1](#) [MP-4102-25P-C](#) [862256-1](#) [864019-2](#) [866857-1](#) [867865-1](#) [PT01SP-14-18P](#) [PT08P-14-5S](#)
[PTSF06SE-14-12S](#) [120-1833-000](#) [QCM019PC2DC012B](#) [1-2069279-1](#) [121583-0217](#) [121667-0020](#) [129591AU](#) [1000B BULK](#) [RD10A16-19-](#)
[P6CS051/1](#) [RD10A20-31-P8CS051/1](#) [RD16A14-12-S6CS051/2](#) [1301240290](#) [1301240347](#)