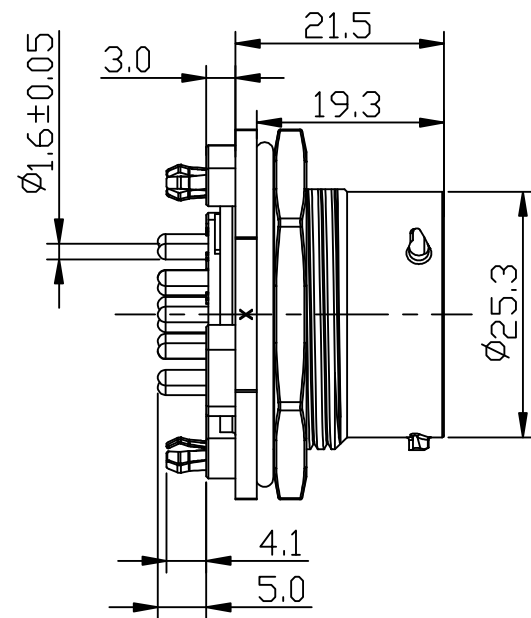
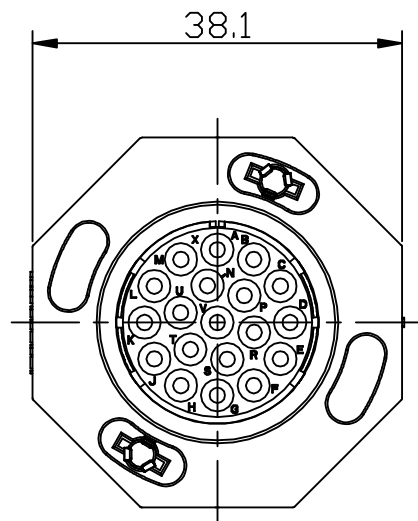
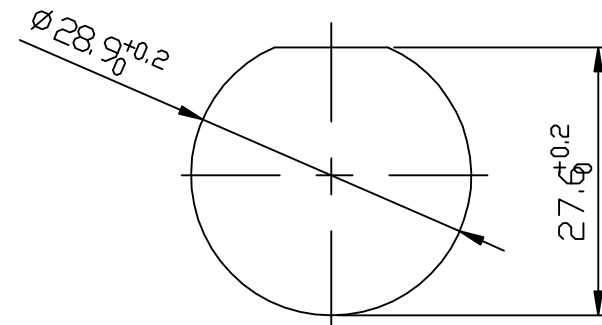
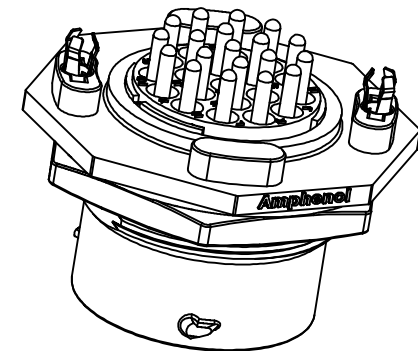
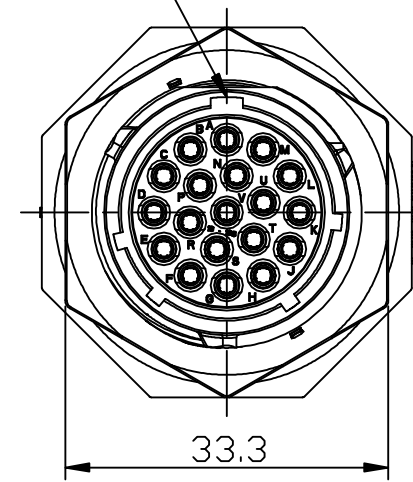


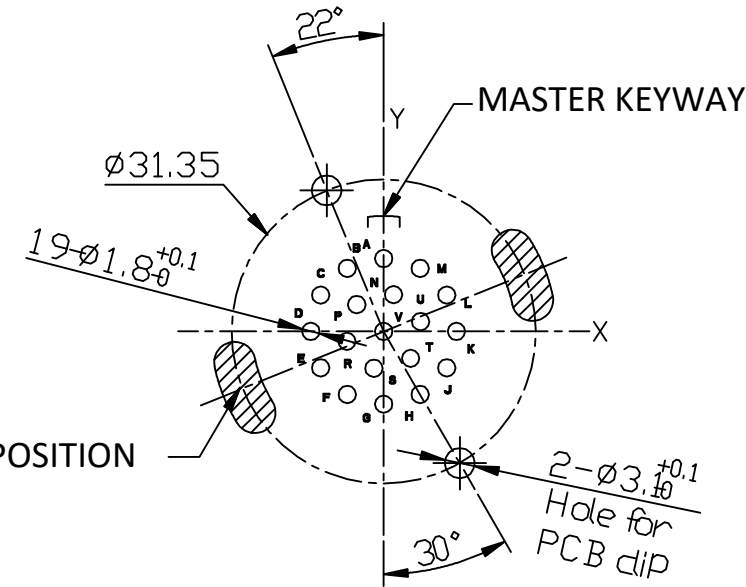
REVISIONS					
REV	ECD	DESCRIPTION	DATE	BY	APPR
A1	-	RELEASED DRAWING	Jul-25-2019	Ronald	Tommy



MASTER KEYWAY



RECOMMEND MOUNTING HOLE



RECOMMEND PCB LAYOUT

Position number	X	Y
A	0.000	7.500
B	-3.750	6.495
C	-6.495	3.750
D	-7.500	0.000
E	-6.495	-3.750
F	-3.750	-6.495
G	0.000	-7.500
H	3.750	-6.495
J	6.495	-3.750
K	7.500	0.000
L	6.495	3.750
M	3.750	6.495
N	1.016	3.791
P	-2.775	2.775
R	-3.791	-1.016
S	-1.016	-3.791
T	2.775	-2.775
U	3.791	1.016
V	0.000	0.000

NOTES: (UNLESS OTHERWISE SPECIFIED)

1. MATERIAL:

- SHELL: THERMOPLASTIC, UL94 V-0.
- INSERT: THERMOPLASTIC, UL94 V-0.
- O-RING: NBR/SILICONE RUBBER.
- FIXED RUBBER: NBR/SILICONE RUBBER.
- SEAL GASKET: NBR/SILICONE RUBBER.
- JAM NUT: ALUMINIUM ALLOY, BLACK ANODIZING.
- CONTACT: COPPER ALLOY, GOLD PLATED.
- LOCKING POSTS: COPPER ALLOY, TIN PLATED.

2. SPECIFICATIONS:

- 2.1 RATED CURRENT: MACHINED CONTACT 13A(MAX).
- 2.2 RATED VOLTAGE: 500V(AC/DC).
- 2.3 OPERATING TEMPERATURE: -40C - 125C.
- 2.4 DIELECTRIC WITHSTANDING VOLTAGE: LESS THAN 2 MILLIAMPS CURRENT LEAKAGE@2000 VOLTS AC.
- 2.5 INSULATION RESISTANCE: 5000 MEGOHMS MIN.
- 2.6 IP--CLASS: IP67 AND IP69K IN THE MATED CONDITION.
- 2.7 MATING CYCLES DURABILITY: 500 CYCLES MIN.
- 2.8 RoHS COMPLIANT.

3. SUITABLE CONTACTS: 16# CONTACT.

4. ALL DIMENSIONS ARE FOR REFERENCE USE ONLY.

KEY	PART NUMBER
N	RTS716ND19S0332
W	RTS716WD19S0332
X	RTS716XD19S0332
Y	RTS716YD19S0332
Z	RTS716ZD19S0332

QUANTITY	PART NUMBER	DESCRIPTION	ITEM
MATERIALS LIST			
UNLESS OTHERWISE SPECIFIED 1) All dimensions are in metric(mm). 2) Tolerances are as follows: 1 PL DEC ±0.30 Fractions ±1/64 2 PL DEC ±0.15 Angles ±1° 3 PL DEC ±0.08 3) Note reference = X		SIGNATURES DATE DRAWN: Ronald Jul-25-2019 CHECKED: Martin Jul-25-2019 ENGINEER: APPROVAL: Tommy Jul-25-2019 CUSTOMER:	
MATERIAL SPECIFICATIONS: PROCESS SPECIFICATIONS:		Amphenol Sine Systems - www.amphenol-sine.com 44724 Morley Drive Clinton Township, MI 48036 ECOMATE® AQUARIUS™, RECEPTACLE, JAM NUT, 19POS SOCKET CONTACT, DIPSOLDER, SIZE 16	
THIS DRAWING IS SUPPLIED FOR INFORMATION ONLY. DESIGN FEATURES, SPECIFICATIONS AND PERFORMANCE DATA SHOWN HEREON ARE THE PROPERTY OF THE AMPHENOL CORPORATION. NO RIGHTS OF REPRODUCTION ARE IMPLIED. ALL DIMENSIONS ARE SUBJECT TO NORMAL MANUFACTURING VARIATIONS.		SIZE TYPE DWG NO. B C- RTS716*D19S0332	REVISION A1
SCALE: NONE		SHEET 1 OF 1	

RECEPTACLE, JAM NUT, 19POS, SOCKET CONTACT, DIPSOLDER, SIZE 16
 DWG NO: RTS716*D19S0332
 REV: A1
 SH: 1
 DF: 1

X-ON Electronics

Largest Supplier of Electrical and Electronic Components

Click to view similar products for [Standard Circular Connector](#) category:

Click to view products by [Amphenol](#) manufacturer:

Other Similar products are found below :

[5M2530B10P](#) [600259N006](#) [600273N007](#) [6134-336-13149](#) [6134-337-11149](#) [6134-337-2390](#) [6134-341-17149](#) [6280-4SG-516](#) [6280-7SG-3DC](#)
[6290](#) [6291A](#) [66200A-10](#) [680-SMG](#) [681-PMG](#) [CXS3102A14S2P](#) [CXS3102A181S](#) [7251-6SG-300](#) [7271-6SG-300](#) [7282-3PG-300-CH3](#) [75-](#)
[474014-05S](#) [75-474618-01S](#) [75-474618-04S](#) [799539-000](#) [MI8-SE](#) [805-005-07NF11-19PC](#) [805-005-07NF15-7PA](#) [8280-4PG-516](#) [8280-7PG-](#)
[519](#) [8282-5PG-519](#) [836783-1](#) [MP-4102-25P-C](#) [862256-1](#) [864019-2](#) [866857-1](#) [867865-1](#) [PT01SP-14-18P](#) [PT08P-14-5S](#) [PTSF06SE-14-12S](#)
[120-1833-000](#) [QCM019PC2DC012B](#) [1-2069279-1](#) [121583-0217](#) [121667-0020](#) [129591AU](#) [1000B BULK](#) [RD10A16-19-P6CS051/1](#)
[RD10A20-31-P8CS051/1](#) [RD16A14-12-S6CS051/2](#) [1301240290](#) [1301240347](#) [1301860202](#)