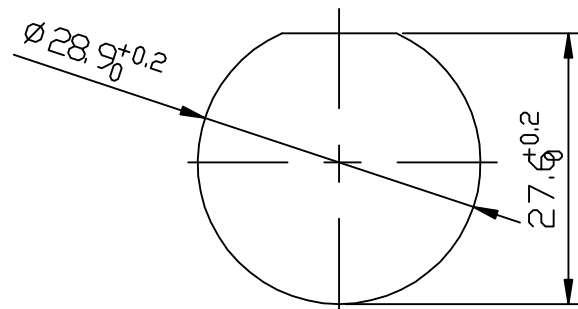
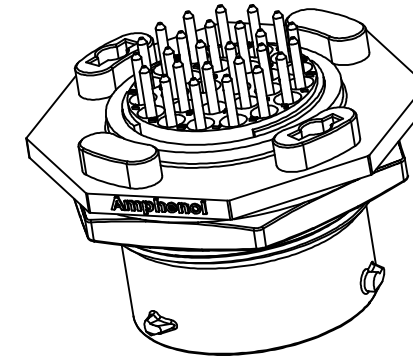
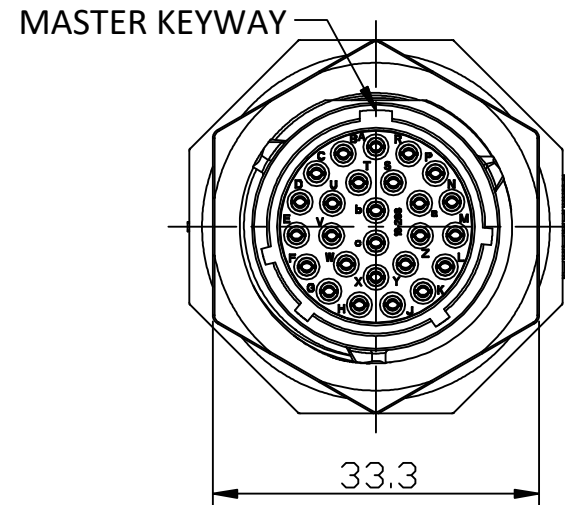
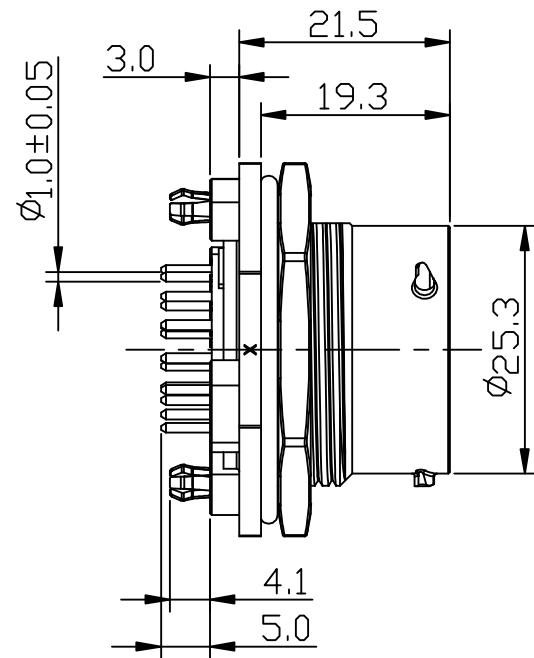
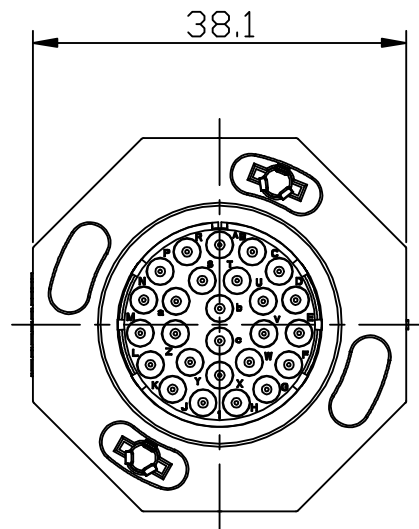
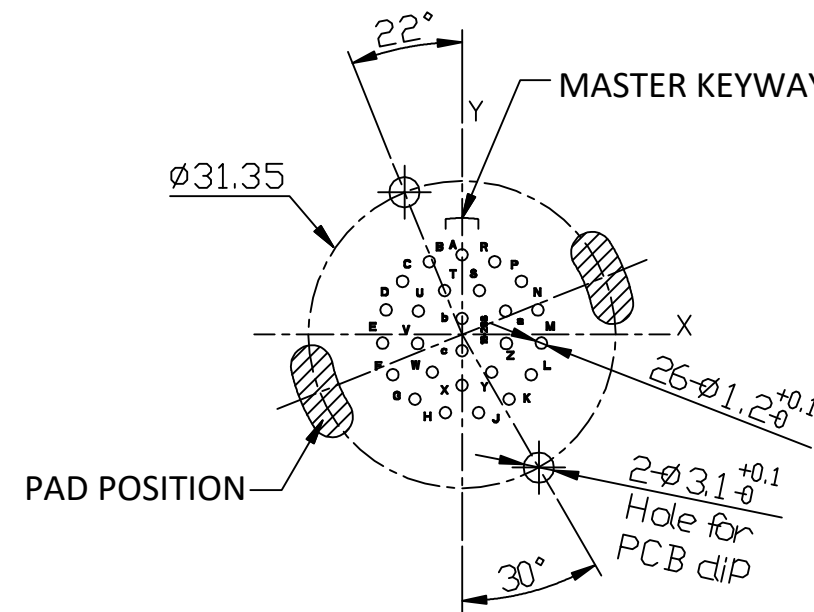


REVISIONS					
REV	ECD	DESCRIPTION	DATE	BY	APPR
A1	-	RELEASED DRAWING	Jul-29-2019	Ronald	Tommy



RECOMMEND MOUNTING HOLE



RECOMMEND PCB LAYOUT

Position number	X	Y
A	0.000	8.150
B	-3.330	7.442
C	-6.071	5.440
D	-7.747	2.515
E	-8.103	-0.864
F	-7.061	-4.089
G	-4.801	-6.600
H	-1.702	-7.976
J	1.702	-7.976
K	4.801	-6.600
L	7.061	-4.089
M	8.103	-0.864
N	7.747	2.515
P	6.071	5.440
R	3.330	7.442
S	1.778	4.496
T	-1.778	4.496
U	-4.445	2.388
V	-4.521	-0.914
W	-3.023	-3.835
X	0.000	-5.156
Y	3.023	-3.835
Z	4.521	-0.914
a	4.445	2.388
b	0.000	1.650
c	0.000	-1.650

NOTES: (UNLESS OTHERWISE SPECIFIED)

1. MATERIAL:

- SHELL: THERMOPLASTIC, UL94 V-0.
- INSERT: THERMOPLASTIC, UL94 V-0.
- O-RING: NBR/SILICONE RUBBER.
- FIXED RUBBER: NBR/SILICONE RUBBER.
- SEAL GASKET: NBR/SILICONE RUBBER.
- JAM NUT: ALUMINIUM ALLOY, BLACK ANODIZING.
- CONTACT: COPPER ALLOY, GOLD PLATED.
- LOCKING POSTS: COPPER ALLOY, TIN PLATED.

2. SPECIFICATIONS:

- 2.1 RATED CURRENT: MACHINED CONTACT 7.5A(MAX).
- 2.2 RATED VOLTAGE: 250V(AC/DC).
- 2.3 OPERATING TEMPERATURE: -40C - 125C.
- 2.4 DIELECTRIC WITHSTANDING VOLTAGE: LESS THAN 2 MILLIAMPS CURRENT LEAKAGE@1500 VOLTS AC.
- 2.5 INSULATION RESISTANCE: 5000 MEGOHMS MIN.
- 2.6 IP--CLASS: IP67 AND IP69K IN THE MATED CONDITION.
- 2.7 MATING CYCLES DURABILITY: 500 CYCLES MIN.
- 2.8 RoHS COMPLIANT.

3. SUITABLE CONTACTS: 20# CONTACT.

4. ALL DIMENSIONS ARE FOR REFERENCE USE ONLY.

KEY	PART NUMBER
N	RTS716ND26S0332
W	RTS716WD26S0332
X	RTS716XD26S0332
Y	RTS716YD26S0332
Z	RTS716ZD26S0332

QUANTITY	PART NUMBER	DESCRIPTION	ITEM
MATERIALS LIST			
UNLESS OTHERWISE SPECIFIED		Amphenol	
1) All dimensions are in metric(mm).		DRAWN: Ronald Jul-29-2019	
2) Tolerances are as follows:		CHECKED: Marin Jul-29-2019	
1 PL DEC ±0.30		ENGINEER:	
2 PL DEC ±0.15		APPROVAL: Tommy Jul-29-2019	
3 PL DEC ±0.08		CUSTOMER:	
3) Note reference = X		Sine Systems - www.amphenol-sine.com	
MATERIAL SPECIFICATIONS:		44724 Morley Drive	
PROCESS SPECIFICATIONS:		Clinton Township, MI 48036	
NEXT ASS'Y:		ECOMATE® AQUARIUS™, RECEPTACLE, JAM NUT, 26POS SOCKET CONTACT, DIPSOLDER, SIZE 16	
THIS DRAWING IS SUPPLIED FOR INFORMATION ONLY. DESIGN FEATURES, SPECIFICATIONS AND PERFORMANCE DATA SHOWN HEREIN ARE THE PROPERTY OF THE AMPHENOL CORPORATION. NO RIGHTS OF REPRODUCTION ARE IMPLIED. ALL DIMENSIONS ARE SUBJECT TO NORMAL MANUFACTURING VARIATIONS.		SIZE: B	TYPE: C-
		DWG NO: RTS716*D26S0332	REVISION: A1
		SCALE: NONE	SHEET 1 OF 1

ECOMATE REC. JAM NUT 26POS SOCKET CONTACT DIPSOLDER SIZE 16 V6 NO. RTS716*D26S0332 REV A1 SH 1 DF 1

X-ON Electronics

Largest Supplier of Electrical and Electronic Components

Click to view similar products for [Standard Circular Connector](#) category:

Click to view products by [Amphenol](#) manufacturer:

Other Similar products are found below :

[5M2530B10P](#) [600259N006](#) [600273N007](#) [6134-336-13149](#) [6134-337-11149](#) [6134-337-2390](#) [6134-341-17149](#) [6280-4SG-516](#) [6280-7SG-3DC](#)
[6290](#) [6291A](#) [66200A-10](#) [680-SMG](#) [681-PMG](#) [CXS3102A14S2P](#) [CXS3102A181S](#) [7251-6SG-300](#) [7271-6SG-300](#) [7282-3PG-300-CH3](#) [75-](#)
[474014-05S](#) [75-474618-01S](#) [75-474618-04P](#) [75-474618-04S](#) [799539-000](#) [MI8-SE](#) [805-005-07NF11-19PC](#) [805-005-07NF15-7PA](#) [8280-4PG-](#)
[516](#) [8280-7PG-519](#) [8282-5PG-519](#) [836783-1](#) [MP-4102-25P-C](#) [862256-1](#) [864019-2](#) [866857-1](#) [867865-1](#) [PT01SP-14-18P](#) [PT08P-14-5S](#)
[PTSF06SE-14-12S](#) [120-1833-000](#) [QCM019PC2DC012B](#) [1-2069279-1](#) [121583-0217](#) [121667-0020](#) [129591AU](#) [1000B BULK](#) [RD10A16-19-](#)
[P6CS051/1](#) [RD10A20-31-P8CS051/1](#) [RD16A14-12-S6CS051/2](#) [1301240290](#) [1301240347](#)