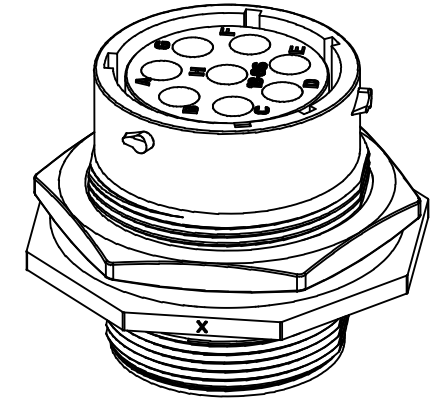
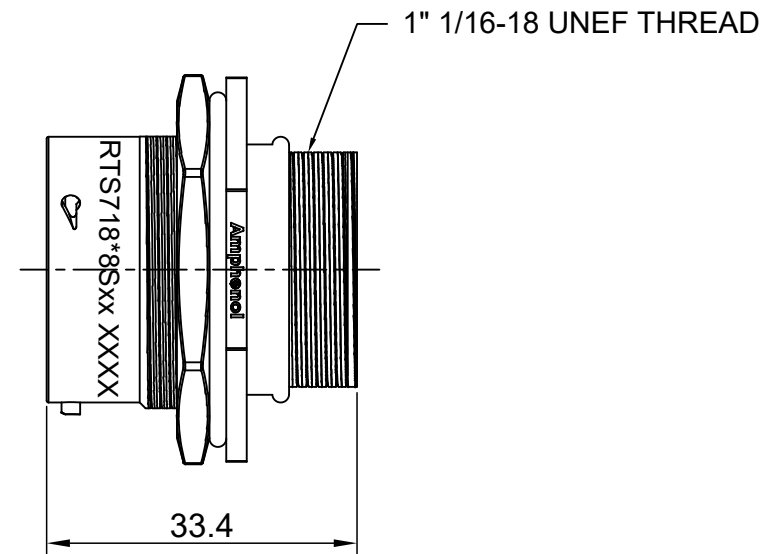
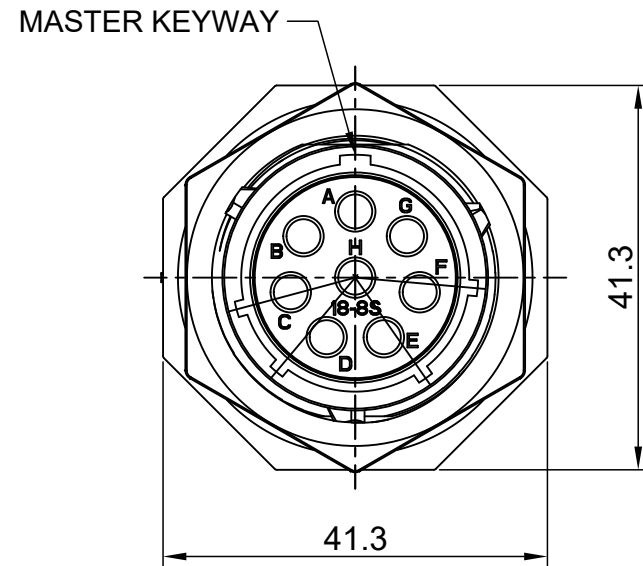
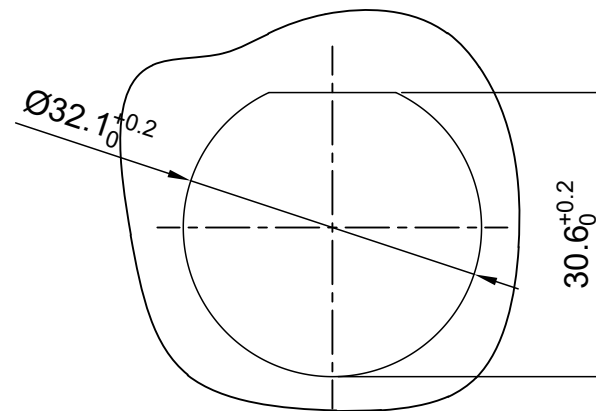


| REVISIONS | | | | | |
|-----------|-----|------------------|-------------|-------|-------|
| REV | ECO | DESCRIPTION | DATE | BY | APPR |
| A1 | -- | RELEASED DRAWING | Dec-26-2016 | Ben | Tommy |
| A2 | -- | UPDATE NOTES | Jul-06-2017 | Nick | Tommy |
| A3 | -- | UPDATE DRAWING | Mar-21-2018 | White | Tommy |



NOTES : (UNLESS OTHERWISE SPECIFIED)

- MATERIAL :
 - SHELL : THERMOPLASTIC , UL94 V-0.
 - INSERT : THERMOPLASTIC , UL94 V-0.
 - O-RING : NBR/SILICONE RUBBER.
 - SEAL GASKET : NBR/SILICONE RUBBER.
 - JAM NUT : ALUMINIUM ALLOY , BLACK ANODIZING.
- SPECIFICATIONS :
 - 2.1 RATED CURRENT : 23A MAX.
 - 2.2 RATED VOLTAGE : 500V(AC/DC).
 - 2.3 OPERATING TEMPERATURE : SEE TABLE.
 - 2.4 DIELECTRIC WITHSTANDING VOLTAGE : LESS THAN 2 MILLIAMPS CURRENT LEAKAGE@2000 VOLTS AC.
 - 2.5 INSULATION RESISTANCE : 5000 MEGOHMS MIN.
 - 2.6 IP--CLASS : IP67 AND IP69K IN THE MATED CONDITION, PANEL EXTERNAL.
 - 2.7 MATING CYCLES DURABILITY : 500 CYCLES MIN.
 - 2.8 RoHS COMPLIANT.
- SUITABLE CONTACTS : 2.5MM CONTACT.
- ALL DIMENSIONS ARE FOR REFERENCE USE ONLY.



PANEL CUT OUT REFERENCE

| KEY | PART NUMBER | |
|-----|---------------|---------------|
| | -40°C ~ 105°C | -40°C ~ 125°C |
| N | RTS718N8S | RTS718N8S03 |

| QUANTITY | PART NUMBER | DESCRIPTION | ITEM | | | | | | | | | | | | |
|---|-------------|---|----------|------------|------|--------------|-------------|--------------|-------------|-------------|----|-----------------|-------------|--------------|--|
| MATERIALS LIST | | | | | | | | | | | | | | | |
| UNLESS OTHERWISE SPECIFIED 1) All dimensions are in metric(mm). 2) Tolerances are as follows: 1 PL DEC ±0.30 Fractions ±1/64 2 PL DEC ±0.15 Angles ±1° 3 PL DEC ±0.08 3) Note reference = | | <table border="1"> <thead> <tr> <th>SIGNATURES</th> <th>DATE</th> </tr> </thead> <tbody> <tr> <td>DRAWN: White</td> <td>Mar-21-2018</td> </tr> <tr> <td>CHECKED: Tod</td> <td>Mar-21-2018</td> </tr> <tr> <td>ENGINEER:</td> <td></td> </tr> <tr> <td>APPROVAL: Tommy</td> <td>Mar-21-2018</td> </tr> </tbody> </table> | | SIGNATURES | DATE | DRAWN: White | Mar-21-2018 | CHECKED: Tod | Mar-21-2018 | ENGINEER: | | APPROVAL: Tommy | Mar-21-2018 | | |
| SIGNATURES | DATE | | | | | | | | | | | | | | |
| DRAWN: White | Mar-21-2018 | | | | | | | | | | | | | | |
| CHECKED: Tod | Mar-21-2018 | | | | | | | | | | | | | | |
| ENGINEER: | | | | | | | | | | | | | | | |
| APPROVAL: Tommy | Mar-21-2018 | | | | | | | | | | | | | | |
| MATERIAL SPECIFICATIONS: | | <h1>Amphenol</h1> <p>Sine Systems - www.amphenol-sine.com 44724 Morley Drive Clinton Township, MI 48036</p> | | | | | | | | | | | | | |
| PROCESS SPECIFICATIONS: | | <p>ECO-MATE, RECEPTACLE, JAM NUT, SIZE 18,8POS, SOCKET.</p> | | | | | | | | | | | | | |
| NEXT ASSY: | | <table border="1"> <tr> <td>SIZE</td> <td>TYPE</td> <td>DWG NO:</td> <td>REVISION</td> </tr> <tr> <td>B</td> <td>C-</td> <td>RTS718*8Sxx</td> <td>A3</td> </tr> <tr> <td colspan="2">SCALE: NONE</td> <td colspan="2">SHEET 1 OF 1</td> </tr> </table> | | SIZE | TYPE | DWG NO: | REVISION | B | C- | RTS718*8Sxx | A3 | SCALE: NONE | | SHEET 1 OF 1 | |
| SIZE | TYPE | DWG NO: | REVISION | | | | | | | | | | | | |
| B | C- | RTS718*8Sxx | A3 | | | | | | | | | | | | |
| SCALE: NONE | | SHEET 1 OF 1 | | | | | | | | | | | | | |

TITLE: ECO-MATE RECEPTACLE, JAM NUT, SIZE 18,8POS, SOCKET.

DWG NO:

RTS718*8Sxx

REV: A3

SH: 1

OF: 1

ecomate® RM/RSSM/Aquarius™ - Contact Size 12 Options

| Crimp Contacts, Machined | | | | |
|--------------------------|--------|-----|-------------------------------|---------|
| Part Number | | AWG | Wire Range (mm ²) | Plating |
| Male | Female | | | |
| N/A | | | | |

| Tooling, Machined | |
|-------------------|-------------|
| Part Number | Description |
| N/A | N/A |
| N/A | N/A |

| Plating Options, All | |
|----------------------|---------|
| Symbol | Plating |
| N/A | N/A |

| Crimp Contacts, Stamped & Formed | | | | |
|----------------------------------|---------|-------|-------------------------------|---------|
| Part Number | | AWG | Wire Range (mm ²) | Plating |
| Male | Female | | | |
| SP12A1T | SS12A1T | 14-12 | 2.5-3.5 | Tin |

| Tooling, Stamped & Formed | |
|---------------------------|--|
| Part Number | Description |
| QXRT12S | Contact Extraction Tool, 2.5mm Contact |
| MFY-3962 | Hand Tool, Stamped & Formed Contact, 2.5mm Contact |

| Misc Tooling, All | |
|-------------------|-----------------------|
| Part Number | Description |
| CA-4012-59 | Sealing Plug, Size 12 |

| Standard Quantity Order Options | |
|---------------------------------|-------------------|
| Machined | Stamped & Formed |
| N/A | Reel, 1000 Pieces |

X-ON Electronics

Largest Supplier of Electrical and Electronic Components

Click to view similar products for [Standard Circular Connector](#) category:

Click to view products by [Amphenol](#) manufacturer:

Other Similar products are found below :

[5M2530B10P](#) [600259N006](#) [600273N007](#) [6134-336-13149](#) [6134-337-11149](#) [6134-337-2390](#) [6134-341-17149](#) [6280-4SG-516](#) [6280-7SG-3DC](#)
[6290](#) [6291A](#) [66200A-10](#) [680-SMG](#) [681-PMG](#) [CXS3102A14S2P](#) [CXS3102A181S](#) [7251-6SG-300](#) [7271-6SG-300](#) [7282-3PG-300-CH3](#) [75-](#)
[474014-05S](#) [75-474618-01S](#) [75-474618-04P](#) [75-474618-04S](#) [799539-000](#) [MI8-SE](#) [805-005-07NF11-19PC](#) [805-005-07NF15-7PA](#) [8280-4PG-](#)
[516](#) [8280-7PG-519](#) [8282-5PG-519](#) [836783-1](#) [MP-4102-25P-C](#) [862256-1](#) [864019-2](#) [866857-1](#) [867865-1](#) [PT01SP-14-18P](#) [PT08P-14-5S](#)
[PTSF06SE-14-12S](#) [120-1833-000](#) [QCM019PC2DC012B](#) [1-2069279-1](#) [121583-0217](#) [121667-0020](#) [129591AU](#) [1000B BULK](#) [RD10A16-19-](#)
[P6CS051/1](#) [RD10A20-31-P8CS051/1](#) [RD16A14-12-S6CS051/2](#) [1301240290](#) [1301240347](#)