

REV. A		SHEET 1 OF 2		DOCUMENT NO. RVPX-J08EXX	
REVISIONS M					
LTR	DESCRIPTION			DATE	
A	INITIAL RELEASE			11-FEB-16	

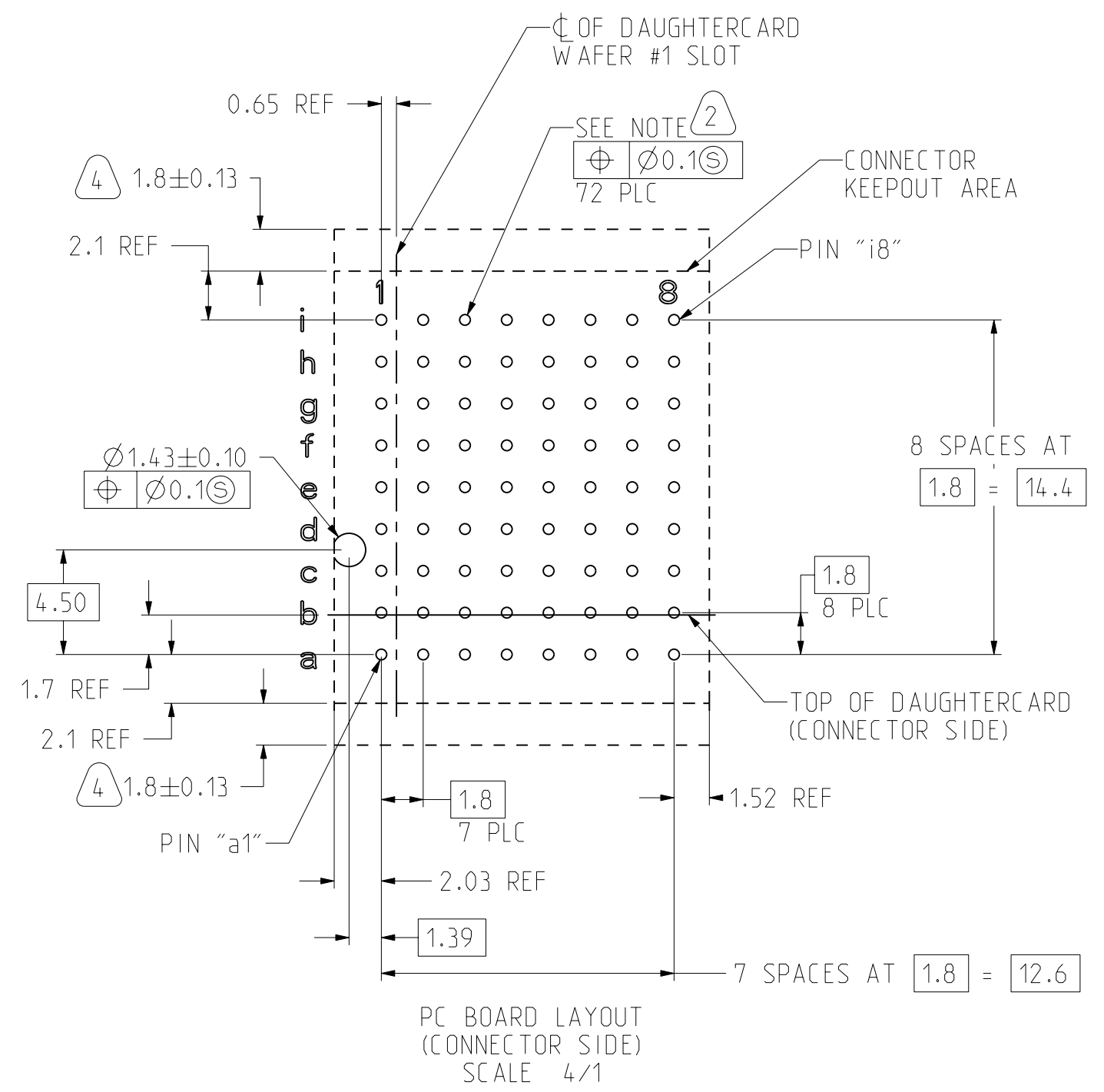
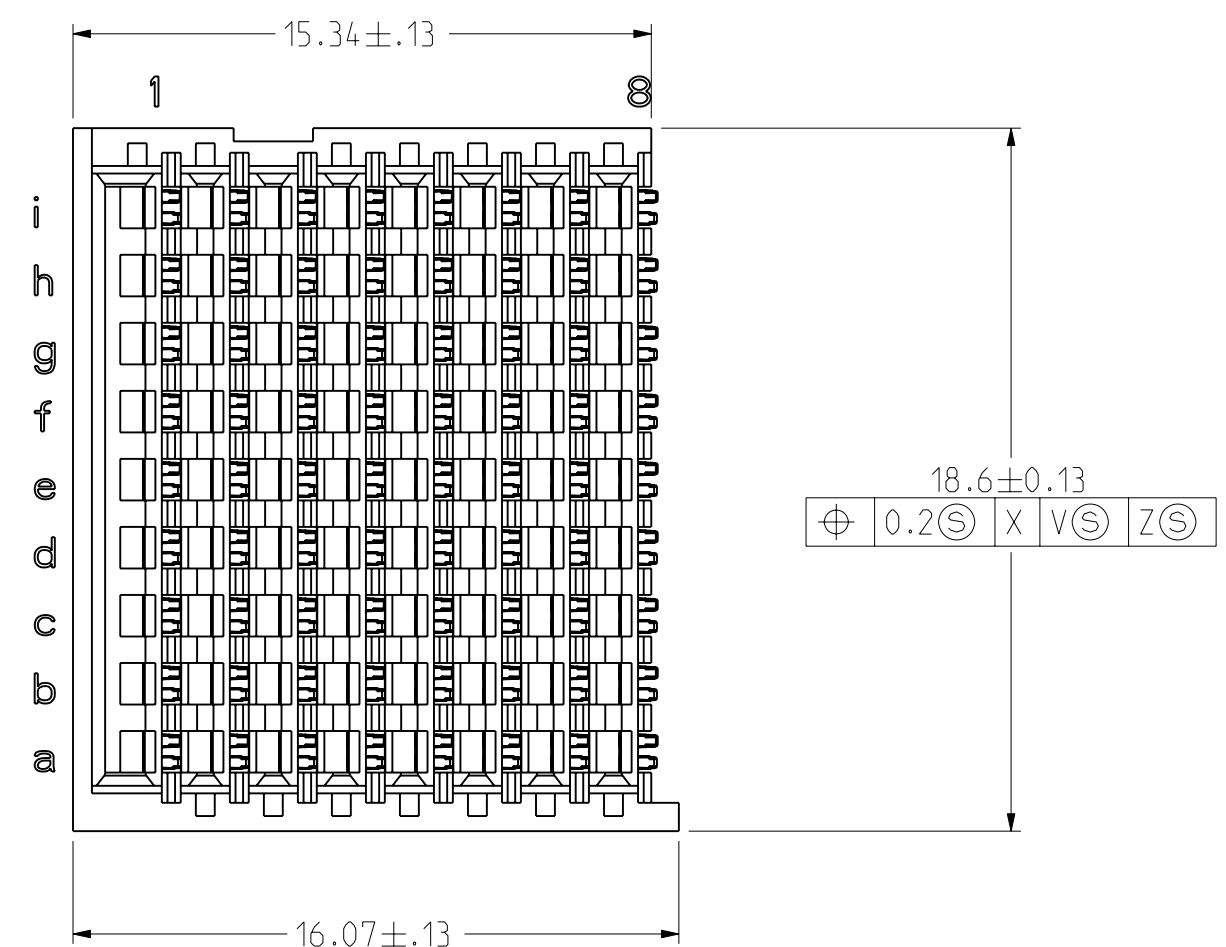
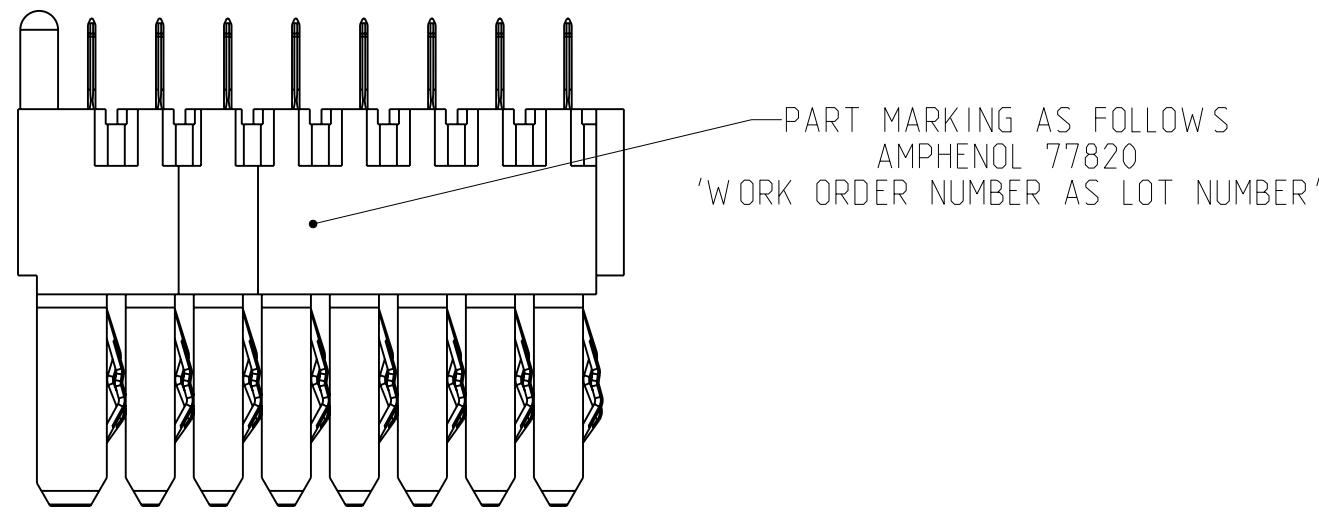
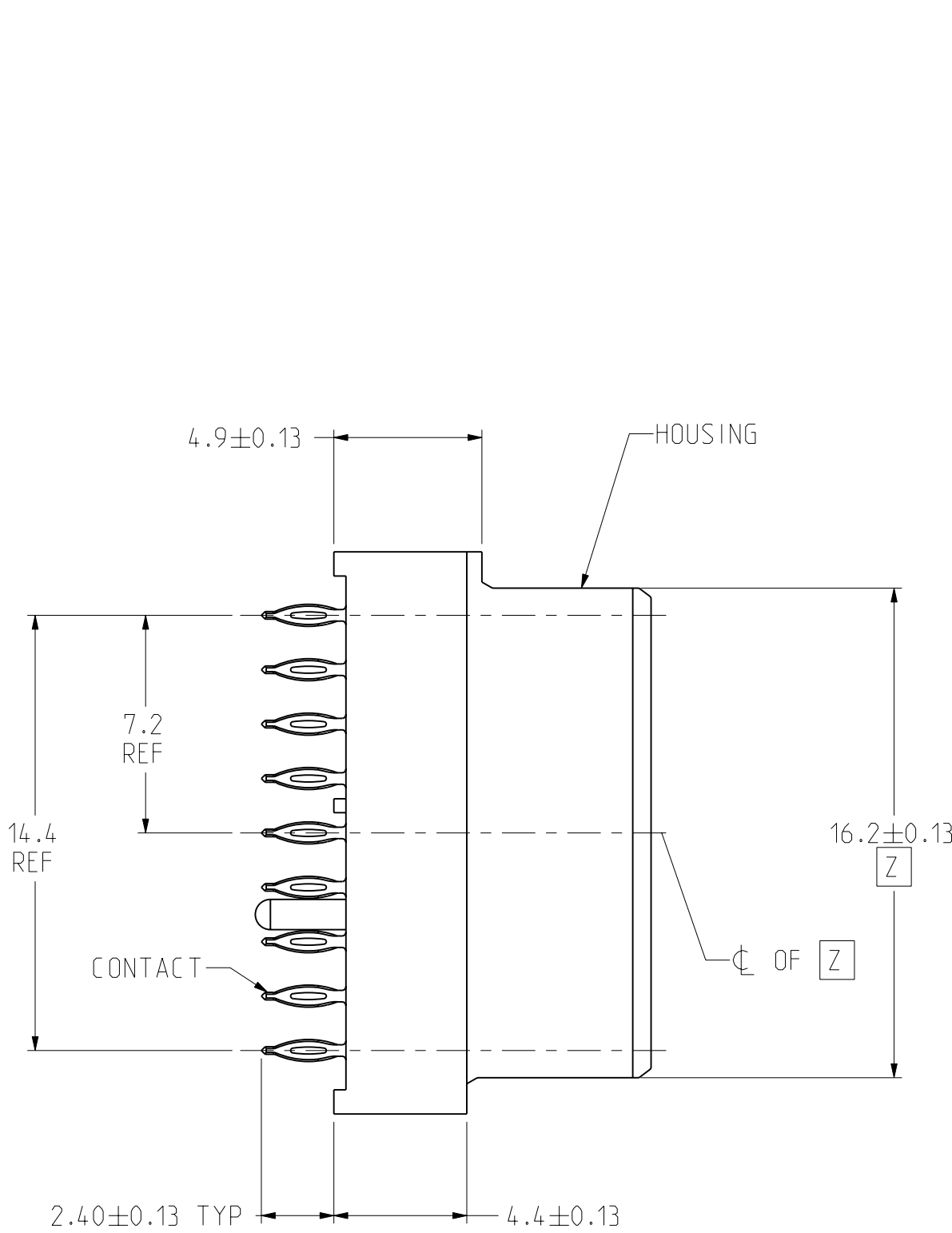


TABLE 1

PLATING THICKNESS AND MATERIAL BY PART NUMBER			
PART NUMBER	GOLD IN CONTACT AREA	COMPLIANT	NICKEL OVERALL
RVPX-J08EM1	50 μ-INCH MIN	50 μ-INCH MIN TIN	50 μ-INCH MIN
RVPX-J08EM2	50 μ-INCH MIN	50 μ-INCH MIN TIN-LEAD	50 μ-INCH MIN
RVPX-J08EC1	30 μ-INCH MIN	50 μ-INCH MIN TIN	50 μ-INCH MIN
RVPX-J08EC2	30 μ-INCH MIN	50 μ-INCH MIN TIN-LEAD	50 μ-INCH MIN

- 4 ADDITIONAL CONNECTOR-SIDE KEEPOUT AREA REQUIRED IF CONNECTOR-SIDE EXTRACTION TOOL IS TO BE USED.
- 3 SEE TABLE 1 FOR PART NUMBER AND FINISHES
- 2 PTH CALLOUT TYPICAL HOLE
 Ø0.63-.67 DRILL
 Ø0.56 ±.05 FINISH HOLE
 Ø1.02 PAD

1 HOUSING: GLASS FILLED LCP, UL94 - V0
 CONTACT: Cu ALLOY

THE USE OF THIS DOCUMENT IS UNLIMITED. HOWEVER, DOCUMENTS REFERENCED HEREON MAY CONTAIN LIMITED RIGHTS DATA.

N/A	PRO/ENGINEER INFORMATION Pro/e Model Used: RVPX-J08EXX.ASSEM Drawing Name: RVPX-J08EXX
NEXT ASSEMBLY	

UNLESS OTHERWISE SPECIFIED

SPECIFICATIONS

MATERIAL SPEC.
N/A

PROCESS SPEC.
9-3895
9-3856-5

LINEAR DIMENSIONS ARE IN MILLIMETERS
 TOLERANCES:
 .XXXX = ± ANGLES= ±2°
 .XXX = ±
 .XX = ±.1
 .X = ±.13

DIM. & TOL. PER ASME Y14.5M;
 DRM PER MIL-DTL-31000;
 OTHER Amphenol Stds. PER 9-3800

LEGENDS:
 =FLAG NOTE CALL OUT REFERENCE ONLY

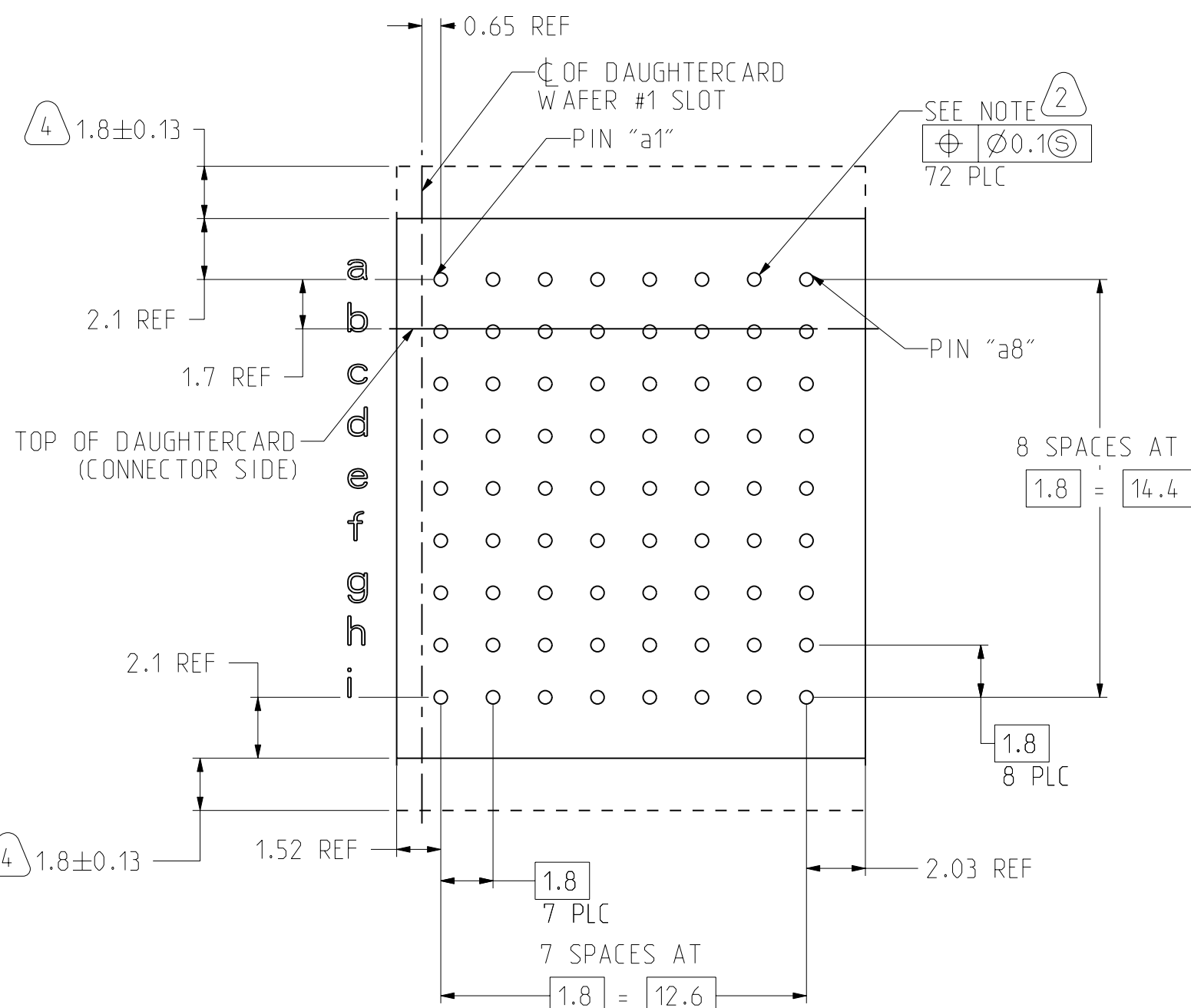
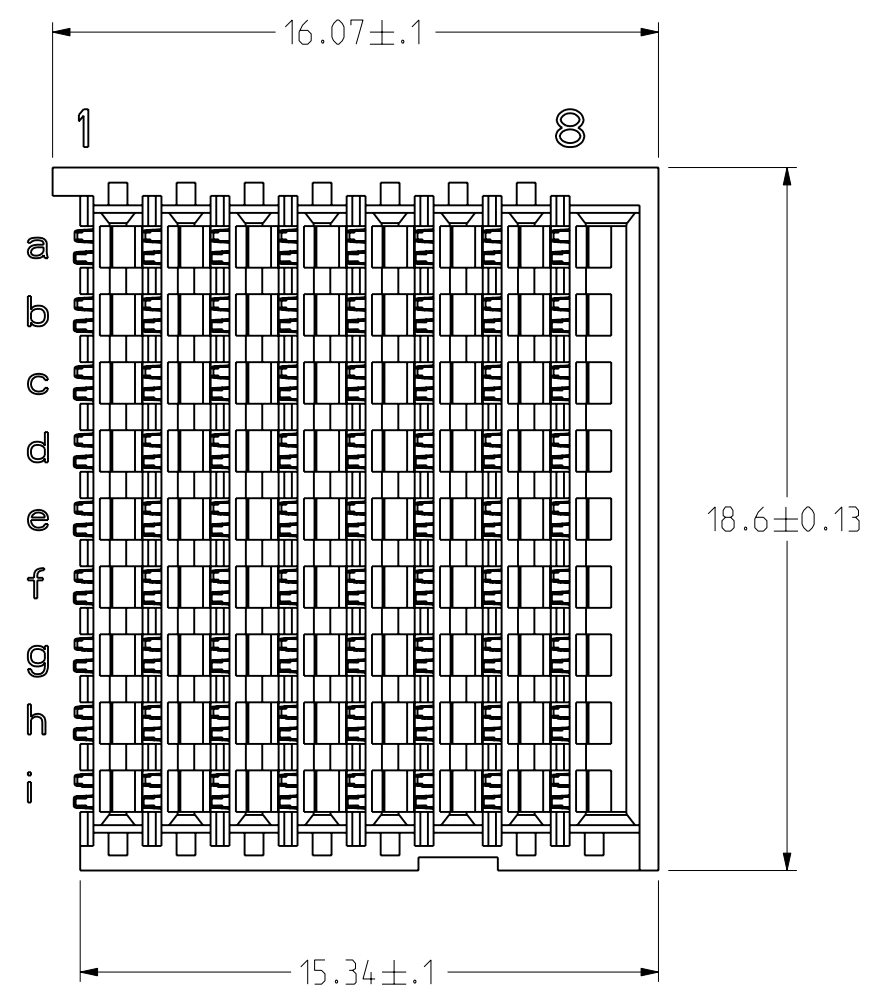
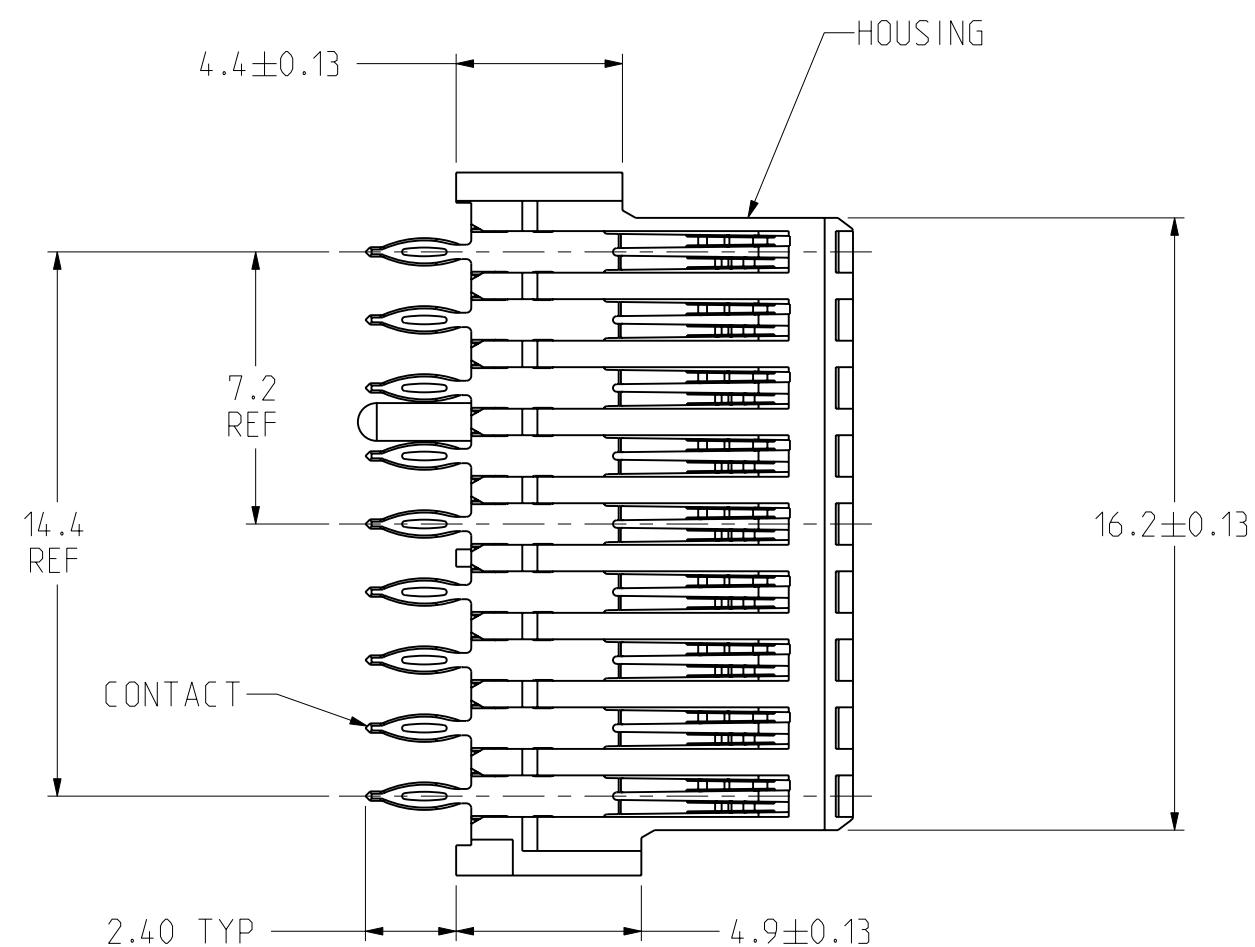
POS	QTY	PART NUMBER	DESCRIPTION	NOTE
PARTS LIST				
APPROVALS				
PREPARED BY	S. LANGELIER	DATE		
ENGINEER IN CHARGE	S. LANGELIER	22-SEP-15		
DESIGN MANAGER	J. PAUL			
DESIGN ACTIVITY GROUP	BOARD LEVEL			
THIRD ANGLE PROJECTION				

AMPHENOL CORPORATION 40-60 DELAWARE AVENUE SIDNEY, NY, 13858			
CONNECTOR ASSEMBLY, BACKPLANE VERTICAL RECEPTACLE, 8 POS., LEFT END RVPX			
SIZE C	CAGE CODE 77820	DOCUMENT NO. RVPX-J08EXX	REV. A
SCALE: 5.0	REF. NONE	SHEET 1 OF 2	

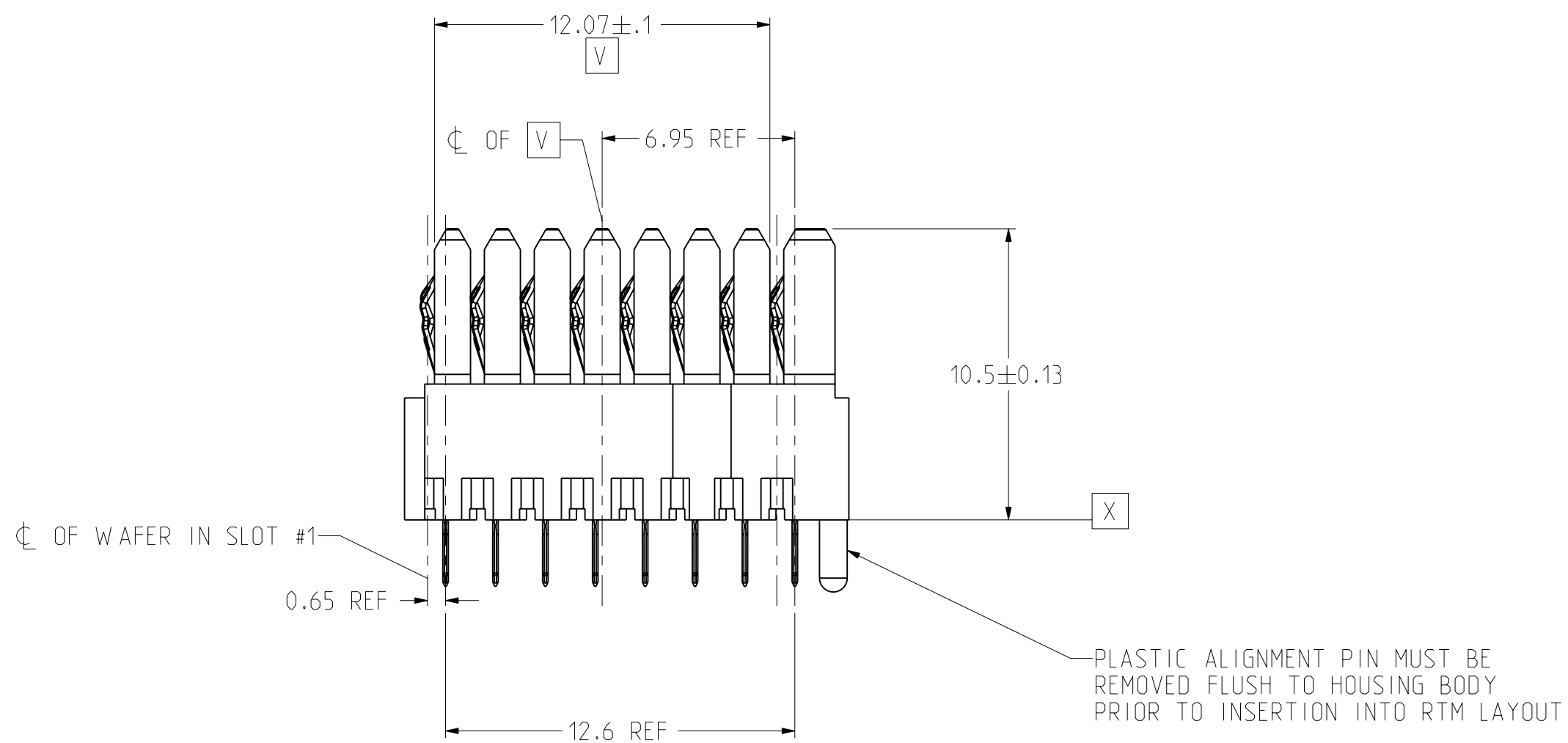
DOCUMENT NO. RVPX-J08EXX SHEET 1 OF 2 REV. A

REVISION M 5 A SHEET 1 OF 2 DOCUMENT NO. RVPX-J08EXX

REAR TRANSITION MODULE APPLICATION



RTM PC BOARD LAYOUT
(CONNECTOR SIDE)
SCALE 5/1



NOTES:

THE USE OF THIS DOCUMENT IS UNLIMITED. HOWEVER, DOCUMENTS REFERENCED HEREON MAY CONTAIN LIMITED RIGHTS DATA.

SIZE C	CAGE CODE 77820	DOCUMENT NO. RVPX-J08EXX	REV. A
SCALE: 5.0		REF: NONE	SHEET 2 OF 2

DOCUMENT NO. RVPX-J08EXX
SHEET 2 OF 2
REV. A
5
Eng. PDM Information For Reference Only

X-ON Electronics

Largest Supplier of Electrical and Electronic Components

Click to view similar products for [High Speed/Modular Connectors](#) category:

Click to view products by [Amphenol](#) manufacturer:

Other Similar products are found below :

[650827-1](#) [74040-1346](#) [1410191-1](#) [1410337-1](#) [1410368-3](#) [1410367-3](#) [1410971-4](#) [1467833-1](#) [2000877-1](#) [2000878-1](#) [2041314-1](#) [2065387-1](#)
[2187307-1](#) [163P](#) [1934290-1](#) [2000875-1](#) [2065799-1](#) [2065917-1](#) [2102736-2](#) [FSR-40](#) [2169868-2](#) [22354-8](#) [437-5040-000](#) [039-0246-000](#)
[0740618502](#) [0761601016](#) [73774-1000](#) [030-2415-003/100 PK](#) [030-7380-004](#) [030-2494-001](#) [532939-1](#) [5532901-3](#) [3-1469268-7](#) [UMK-SE](#)
[11,25-1](#) [74748-102LF](#) [10041743-101LF](#) [10066670-100002LF](#) [1-533915-1](#) [249-4515-000](#) [7-1469373-3](#) [DL2-2J/S](#) [2000713-8](#) [2000713-7](#)
[10124313-101LF](#) [1410189-2](#) [3011-21](#) [EBTF-4-10-2.0-S-RA-1](#) [430305-001](#) [4395800100](#) [8140115](#)