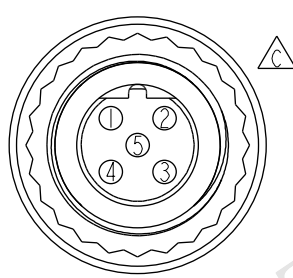
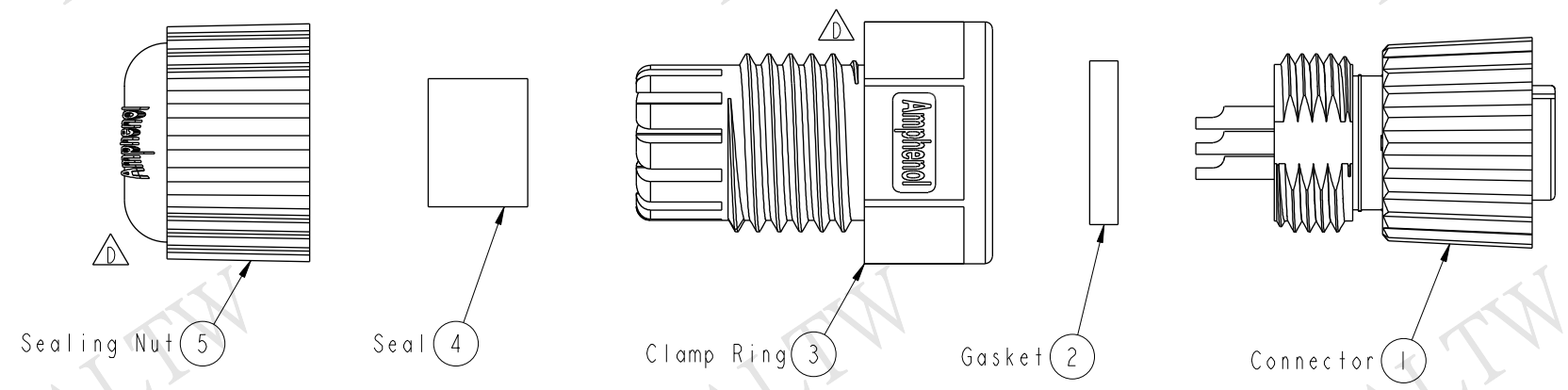


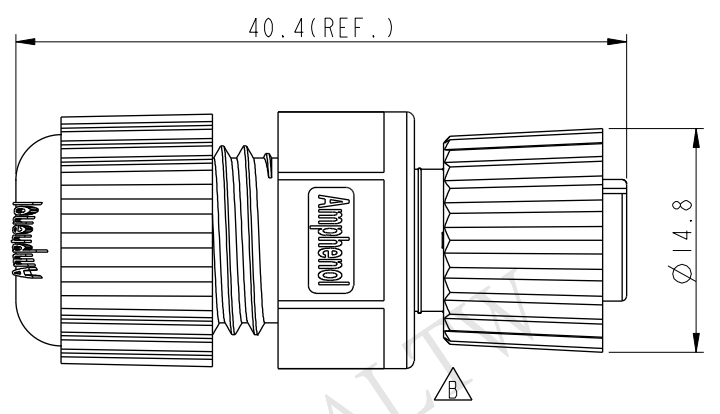
THIS DOCUMENT IS SUBJECT TO CHANGE WITHOUT NOTICE. IT IS CONFIDENTIAL AND A PROPERTY OF Amphenol LTW. DISCLOSURE TO THIRD PARTY HAS TO BE AUTHORIZED BY Amphenol LTW.

REV.	ECN NO.	DATE	SIGN	DESCRIPTION
B	LEN-6B0127	2006/11/11	Jerry	Remove the section
C	LEN1340076	2013/04/18	Yulong	Update The Drawing
D	LEN14C0430	2014/12/15	Vicky	Update Logo

ALTW
CONFIDENTIAL
 2014-12-15
R&D DEPT.



Pin Assignments
Front View



- Note:
- * Waterproof Rate: IP68
 - IP68: 1M Depth Of Water In 24hours
 - * Housing: Nylon+GF, Black
 - * Female Pin: Copper Alloy, Gold Plated
 - * Screw Nut: Nylon+GF, Black
 - * O-Ring: Viton, Green
 - * Gasket: EPDM, Black
 - * Clamp Ring: Nylon, Black
 - * Seal: EPDM, Black
 - * Sealing Nut: Nylon, Black
 - * Seal For Cable OD: $\varnothing 4.5\text{mm} \sim \varnothing 6.5\text{mm}$

UNIT:mm		
TOLERANCE		
.X	± 0.25	
.XX	± 0.1	
.XXX	± 0.05	
ANGLES	$\pm 1^\circ$	

TITLE M12 B Code Assy Screw 5Pin F Conn F Pin			
SCALE 2:1	SIZE A4	SHEET 1 OF 1	
REV. D	WC-REV. A.3	QC: Inspection item	

Amphenol LTW
安費諾亮泰企業股份有限公司

ITEM NO SBP-05BFFA-SL8001	DRAWN BY Vicky	DATE 2014-12-15
DWG NO SBP-05BFFA-SL8001	CHECKED BY Sam	DATE 2014-12-15
CUSTOMER ALTW	APPROVED BY Rita	DATE 2014-12-15

X-ON Electronics

Largest Supplier of Electrical and Electronic Components

Click to view similar products for [Circular Metric Connectors](#) category:

Click to view products by [Amphenol](#) manufacturer:

Other Similar products are found below :

[600X518037X](#) [6STD15PCR99B70A](#) [8R4000A16M020](#) [8R5000A16M005](#) [1200910002](#) [1203580030](#) [1200910008](#) [1200910011](#) [1300140094](#)
[130203-0054](#) [1300140026](#) [1300150099](#) [1-3637-600-5205](#) [1612618](#) [21036836414](#) [8R4006A16M010](#) [1R3006A20M005](#) [41-40011](#) [42-00006](#)
[42-01015](#) [4-22279-4](#) [4-22281-1](#) [4-22284-9](#) [43-00113](#) [43-01203](#) [41-40013](#) [42-00008](#) [43-00343](#) [43-01026](#) [43-01162](#) [43-01173](#) [43-10000](#)
[XS3P-M421-2](#) [600X518050X](#) [8R5006A16M020](#) [8R5006A16M005](#) [8R4000A16M010](#) [6-22279-3](#) [1605332](#) [N03FA03144](#) [1300140077](#) [43-](#)
[16213](#) [43-01338](#) [XS2RD4265](#) [XS2R-D426-1](#) [XS8A-0441](#) [859RD04-103R004](#) [860RD04-113R004](#) [860RD04-213R004](#) [1-213245-2](#)