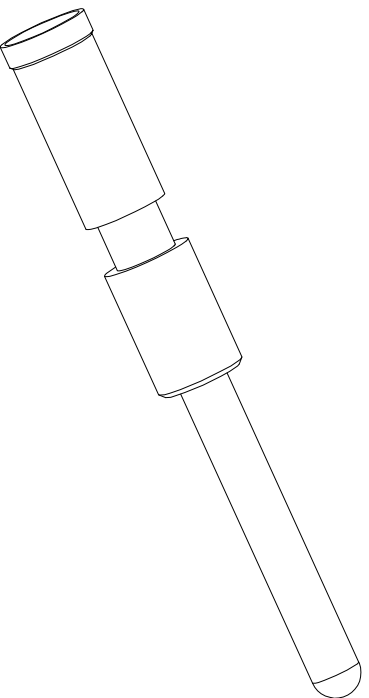
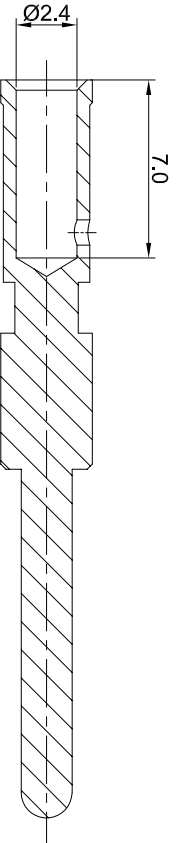
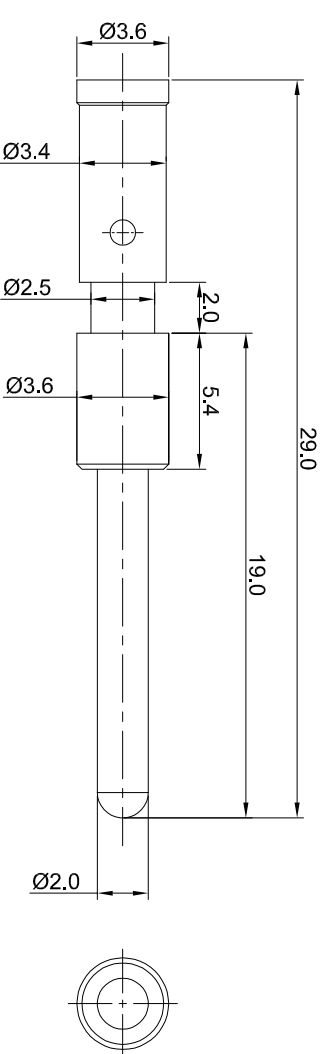


REVISIONS				
REV	ECO	DESCRIPTION	DATE	BY APPR
A1	-	RELEASED DRAWING	Jun.05.2018	White TOMMY



- NOTES: UNLESS OTHERWISE SPECIFIED
1. MATERIAL: COPPER ALLOY, GOLD PLATED
 2. SPECIFICATIONS:
 - 2.1 RATED CURRENT: 30 AMPS
 - 2.2 CONTACT RESISTANCE: <3 milliohm
 - 2.3 AVAILABLE WIRE RANGE: 14AWG~18AWG
 - 2.4 ROHS COMPLIANT
 3. ALL DIMENSIONS ARE FOR REFERENCE USE ONLY.

QUANTITY	SEE PART NUMBER CHART	PART NUMBER	DESCRIPTION	ITEM
1				

MATERIALS LIST

UNLESS OTHERWISE SPECIFIED	SIGNATURES	DATE	SIZE	TYPE	DWG NO.	REVISION
1) All dimensions are in millimeters. 2) Tolerances are as follows: DEC 2014 ±.104 DEC 2015 ±.104 PL DEC 2016 ±.104 3) Note reference =	DRAWN: White CHECKED: Tod ENGINEER: Tommy	JUN.05.2018 JUN.05.2018 JUN.05.2018	B C-	C-	SC000463	A1

PROCESS SPECIFICATIONS:	CUSTOMER:	THIS DRAWING IS SUPERSEDED FOR INFORMATION ONLY. DESIGN FEATURES, SPECIFICATIONS AND PERFORMANCE DATA ARE THE PROPERTY OF AMPHENOL CORPORATION. NO RIGHTS OR PERMISSIONS ARE GRANTED FOR REPRODUCTION OR TRANSMISSION IN ANY FORM OR BY ANY MEANS, ELECTRONIC OR MECHANICAL, INCLUDING PHOTOCOPYING, RECORDING, OR BY ANY INFORMATION STORAGE AND RETRIEVAL SYSTEMS. MANUFACTURING VARIATIONS:	APPROVAL:	DATE:	DESCRIPTION:
NEET ASSTY:	Tommy	JUN.05.2018	Pin contact 2.0mm, Chimp 14~18AWG		

X-ON Electronics

Largest Supplier of Electrical and Electronic Components

Click to view similar products for [Circular Metric Connectors](#) category:

Click to view products by [Amphenol](#) manufacturer:

Other Similar products are found below :

[600X518037X](#) [6STD15PCR99B70A](#) [8R4000A16M020](#) [8R5000A16M005](#) [1200910002](#) [1203580030](#) [1200910008](#) [1200910011](#) [1300140094](#)
[130203-0054](#) [1300140026](#) [1300150099](#) [1-3637-600-5205](#) [1612618](#) [21036836414](#) [8R4006A16M010](#) [1R3006A20M005](#) [41-40011](#) [42-00006](#)
[42-01015](#) [4-22279-4](#) [4-22281-1](#) [4-22284-9](#) [43-00113](#) [43-01203](#) [41-40013](#) [42-00008](#) [43-00343](#) [43-01026](#) [43-01162](#) [43-01173](#) [43-10000](#)
[XS3P-M421-2](#) [600X518050X](#) [8R5006A16M020](#) [8R5006A16M005](#) [8R4000A16M010](#) [6-22279-3](#) [1605332](#) [N03FA03144](#) [1300140077](#) [43-](#)
[16213](#) [43-01338](#) [XS2RD4265](#) [XS2R-D426-1](#) [XS8A-0441](#) [859RD04-103R004](#) [860RD04-113R004](#) [860RD04-213R004](#) [1-213245-2](#)