

## Key Features:

- Industry standard Micro-SD compatible
- Latched cap for dust and EMI protection
- IP68 environmental seal
- Ideal for ruggedisation of devices that utilise Micro-SD memory
- Available in lightweight Aluminium with Black Zinc Nickel or robust Brass with Black Silver finishes
- 1000 hours salt spray (Brass), 500 hours (Aluminium)



## Amphenol's Terrapin series is now available with a Micro-SD card reader.

The latest addition to the widely specified Terrapin series is a Micro-SD card reader that combines proven sealing and ruggedised connector protection for off the shelf Micro-SD cards.

Simply insert the card into the panel mounted reader, fit the cap and lock in place. The card is sealed and protected until removal.

In response to the use of industry standard equipment that is being used more readily in military applications Amphenol is offering new connector solutions as part of the effort to ruggedise computers, PDAs and GPS devices.

The Terrapin series offers well proven performance in harsh environments and is used extensively for handheld equipment, C4ISR battlefield communications, video and data collection devices.

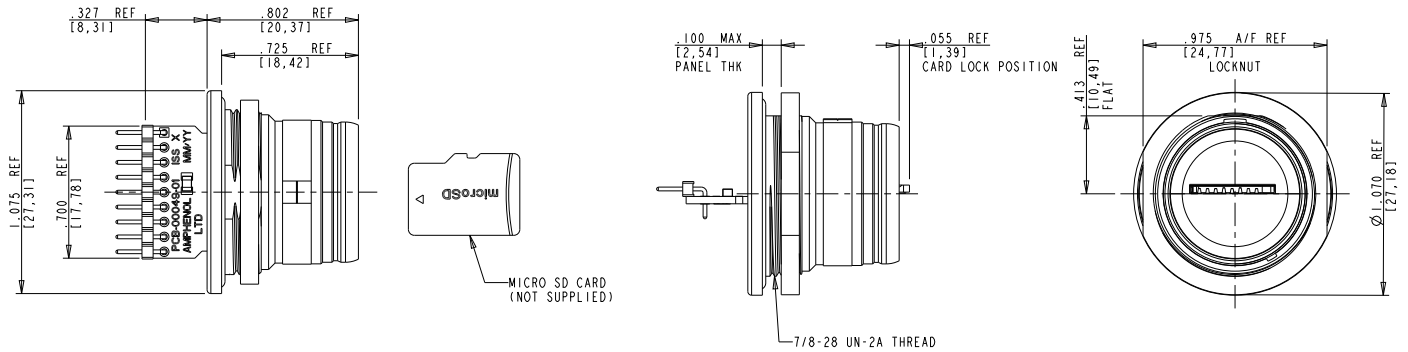
Within a rugged shell design Terrapin offers superior EMC performance and high environmental sealing to IP68. Resilient in severe conditions the RoHS compliant platings are both low-lustre and corrosion resistant.

Whatever the application Terrapin offers space savings and improved durability over traditional interconnect products.

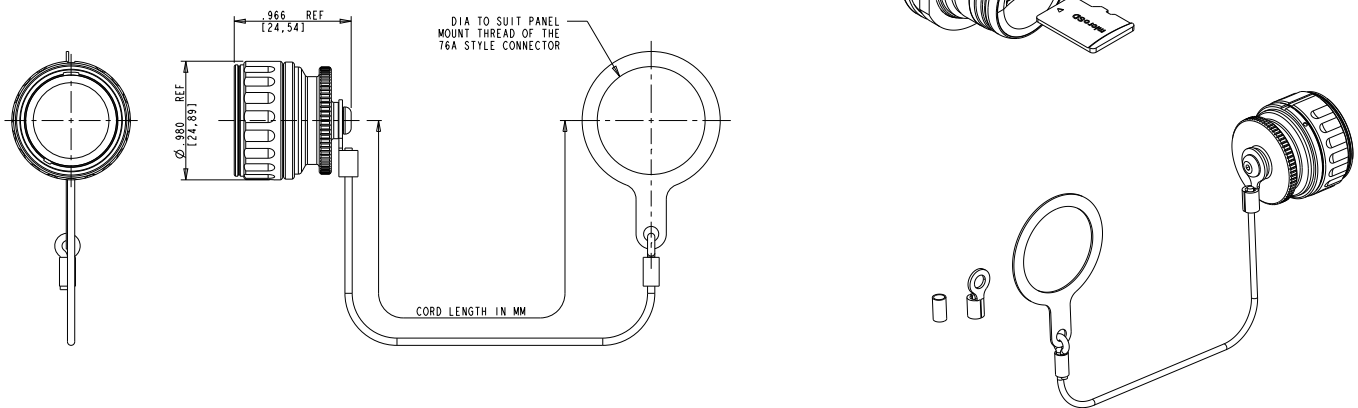


## Dimensions

### Micro-SD card reader connector (reference only)



### Latched dust cap (reference only)



## Ordering Information

SCE2MSD-B-76A12-1SN	Micro-SD card reader Brass, Black Silver finish
SCE2MSD-ZN-76A12-1SN	Micro-SD card reader Aluminium, Black Zinc Nickel finish
390-5085-12-80-05	Latched cap Brass, Black Silver finish
390-5085-12-80-05 (1101)	Latched cap Aluminium, Black Zinc Nickel finish

## X-ON Electronics

Largest Supplier of Electrical and Electronic Components

*Click to view similar products for [Memory Card Connectors](#) category:*

*Click to view products by [Amphenol](#) manufacturer:*

Other Similar products are found below :

[M21-033321-005](#) [6407-249V-25273P](#) [6407-249V-25343P](#) [69.920.0553.0](#) [DM3AT-SF-PEJM5\(41\)](#) [HMCAP001](#) [2041353-2](#) [33CFAE-DN](#) [10-629549-258N](#) [617230001](#) [95622-003LF](#) [N7E50-U516RB-50-SIN0005](#) [95079-00CALF](#) [84648-056HLF](#) [125A-78C00](#) [MI20A-50PD-SF-EJL\(71\)](#) [KP10S-SF-PEJ\(812\)](#) [504536-0691](#) [CCM03-3109 B LFT](#) [MI21-50PD-SF\(91\)](#) [2309923-1](#) [IC1GA-68PD-1.27DS-EJ\(72\)](#) [GTFP08432B1HR](#) [G85DT17001P1EU](#) [G85C11101152HHR](#) [G85D1160022HHR](#) [XKSMO-072-P9](#) [XKNANO-1131-18](#) [XKSIM-1130-1](#) [XKNANO-1131-1](#) [XKTF-1152-1](#) [XKSMC-1200-200](#) [XKSD-1250-1](#) [XKTF-1307-16](#) [XKTF-1250-21](#) [XKNANO-1131-K](#) [XKTF-7131-1](#) [XKNANO-1308](#) [XKTF-1251-1](#) [XKTF-1230-51](#) [XKSD-1250-DS28](#) [XKNANO-1131-04](#) [XKSD-1250-29](#) [XKSD-1251-5C1](#) [XKSMC-1200-145](#) [SD-109-ACP13H16](#) [TF-123B-ARP9H17](#) [TF-123B-ARP9H15](#) [TF-123-ARP9H17](#) [TF-123-ARP9H15](#)