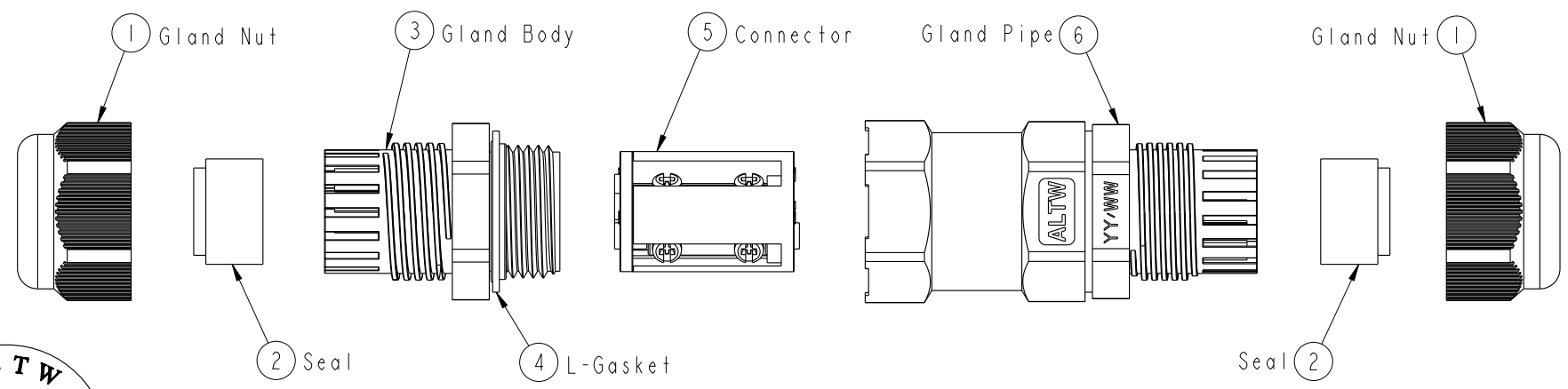
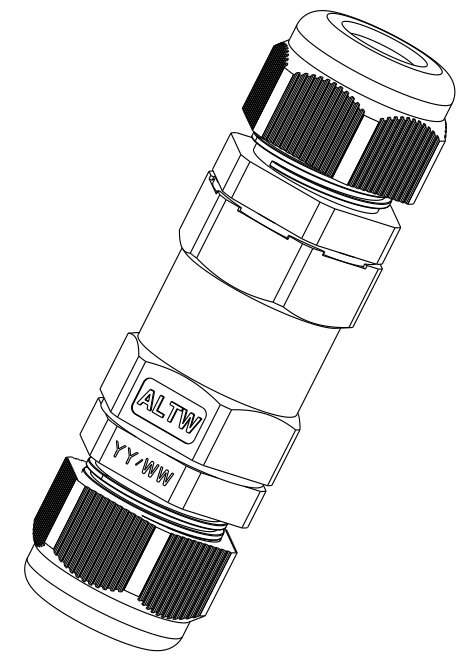
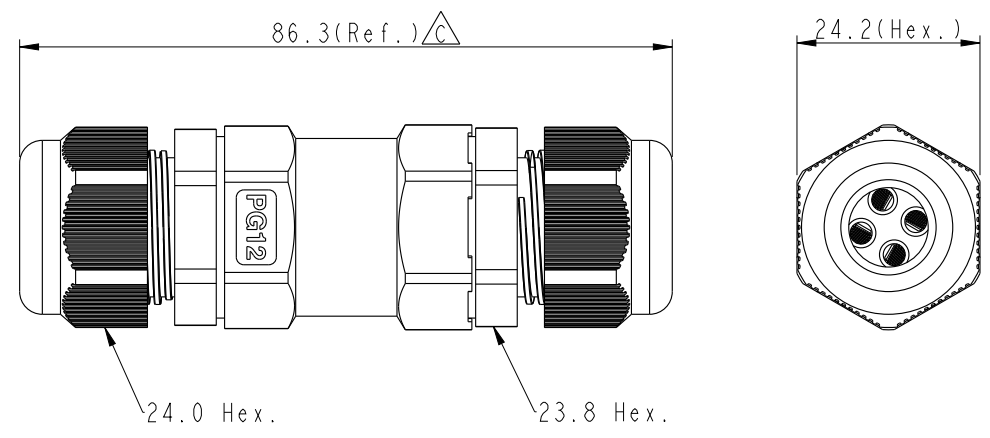
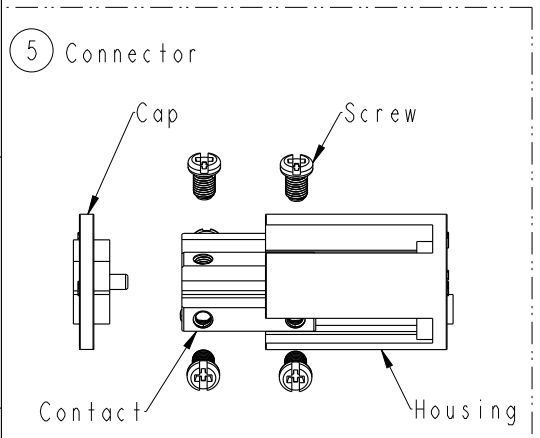


THIS DOCUMENT IS SUBJECT TO CHANGE WITHOUT NOTICE. IT IS CONFIDENTIAL AND A PROPERTY OF Amphenol LTW. DISCLOSURE TO THIRD PARTY HAS TO BE AUTHORIZED BY Amphenol LTW.

REV.	ECN NO.	DATE	SIGN	DESCRIPTION
B	LEN1650250~261	2016/04/25	Joyy	Modify The Wire Cross Section
C	LEN1681112~123	2016/07/11	Joyy	Modify The Size Of The Red Seal
D	LEN1690105~116	2016/09/10	Joyy	Modify the packaging and quantity



ALTW
CONFIDENTIAL
 2016-09-10
R&D DEPT.



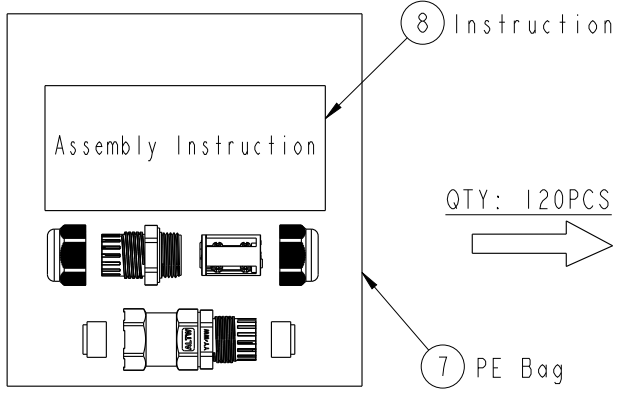
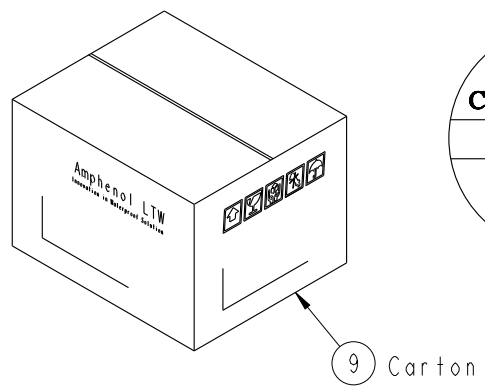
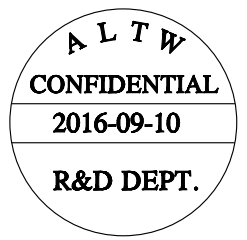
UNIT: mm		
TOLERANCE		
.X	±0.25	
.XX	±0.1	
.XXX	±0.05	
ANGLES	±1°	

TITLE PG12 Cable Joiner Screw-in Type			
SCALE 1:1	SIZE A4	SHEET 1 OF 2	
REV. D	WC-REV. A.9	☉: Inspection item	

Amphenol LTW
 安費諾亮泰企業股份有限公司

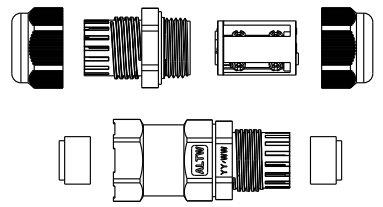
ITEM NO.	DRAWN BY Joyy	DATE 2016-09-10
DWG NO. SC-L-PG12-XX-XX	CHECKED BY Ma Fei	DATE 2016-09-10
CUSTOMER ALTW	APPROVED BY Jerry	DATE 2016-09-10

THIS DOCUMENT IS SUBJECT TO CHANGE WITHOUT NOTICE. IT IS CONFIDENTIAL AND A PROPERTY OF Amphenol LTW. DISCLOSURE TO THIRD PARTY HAS TO BE AUTHORIZED BY Amphenol LTW.



QTY: 1PCS

QTY: 120PCS



Both A Unassembled product And An Instruction Are In A PE Bag.
(將一套未組裝的產品和說明書, 放置於一個PE袋, 並封口)

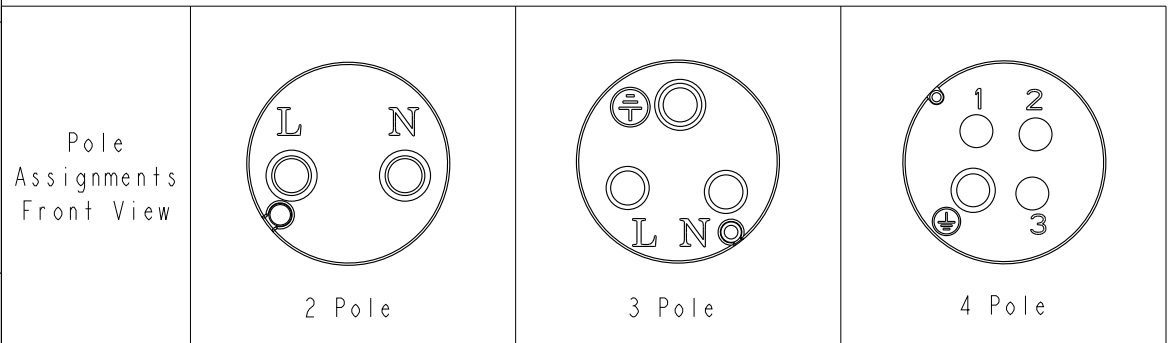
B/C Note:

- * **Ⓞ** Important Dimension To Check.
- * Waterproof Rate: IP68 (50M, 24H)
- * Housing & Cap: PA66+GF, Black.
- * Gland Pipe: PA66, Black.
- * Gland Body: PA66, Black.
- * Gland Nut: PA6+GF, Black.
- * Contact: Brass, Nickel Plated
- * L-Gasket: Silicone, Yellow.
- * Seal: Silicone, Blue & Yellow & Green & Red.
- * Rated Voltage: 2~4 Pole 450V AC
- * Rated Current: 2 & 3 Pole Max. 20A, 4 Pole Max. 15A.
- * Operating Temperature: -40° ~ +105°.
- * Gland Body Recommended Tightening Torque: 6~8 Kgf.cm (0.59~0.78 N.m)
- * Gland Nut Recommended Tightening Torque: 6~8 Kgf.cm (0.59~0.78 N.m)
- * Seal For Cable OD: $\varnothing 4.5\sim\varnothing 6.5\text{mm}$, Blue.
 $\varnothing 6.6\sim\varnothing 8.5\text{mm}$, Yellow.
 $\varnothing 8.6\sim\varnothing 10.5\text{mm}$, Green.
 $\varnothing 10.6\sim\varnothing 11.5\text{mm}$, Red.
- * Screws for Wire connection recommended tightening torque: 1.29~2.50 kgf.cm / 0.127~0.245 N.m
- * Applicable Wire gauge (Stranded wire cross section) 0.75mm² (18AWG) ~ 2.5mm² (14AWG)

SC-L-PG12-XX-XX
L: Cable Joiner
Type: PG12

Seal's Color: BL-Blue(藍色) For Cable Range: $\varnothing 4.5\sim\varnothing 6.5\text{mm}$
YW-Yellow(黃色) For Cable Range: $\varnothing 6.6\sim\varnothing 8.5\text{mm}$
GN-Green(綠色) For Cable Range: $\varnothing 8.6\sim\varnothing 10.5\text{mm}$
RD-Red(紅色) For Cable Range: $\varnothing 10.6\sim\varnothing 11.5\text{mm}$ **C**

No. of Conductor: 02-2Poles
03-3Poles
04-4Poles



UNIT:mm		TITLE PG12 Cable Joiner Screw-in Type		
TOLERANCE .X ±0.25 .XX ±0.1 .XXX ±0.05 ANGLES ±1°		SCALE 1:1	SIZE A4	SHEET 2 OF 2
		REV. D	WC-REV. A.9	Ⓞ : Inspection item

Amphenol LTW
安費諾亮泰企業股份有限公司

ITEM NO	DRAWN BY Joyy	DATE 2016-09-10
DWG NO SC-L-PG12-XX-XX	CHECKED BY Ma Fei	DATE 2016-09-10
CUSTOMER ALTW	APPROVED BY Jerry	DATE 2016-09-10

X-ON Electronics

Largest Supplier of Electrical and Electronic Components

Click to view similar products for [Standard Circular Connector](#) category:

Click to view products by [Amphenol](#) manufacturer:

Other Similar products are found below :

[6134-336-13149](#) [6134-337-11149](#) [6134-337-2390](#) [6134-341-17149](#) [6280-4SG-516](#) [6280-7SG-3DC](#) [6282-2SG-315](#) [67-02E12-60PX](#) [680-SMG](#) [CXS3102A181S](#) [7251-5SG-300](#) [7282-3PG-300-CH3](#) [75-190218-10P](#) [75-190611-03S](#) [75-474014-05S](#) [75-474118-10P](#) [75-474211-03P](#) [75-474218-19S](#) [75-474618-04P](#) [75-474618-04S](#) [75-474620-07P](#) [80-190222-18P](#) [805-005-07NF11-19PC](#) [805-005-07NF15-7PA](#) [8280-4PG-516](#) [8280-7PG-519](#) [862256-1](#) [866857-1](#) [867865-1](#) [PT08P-14-19S](#) [PT08P-14-5S](#) [PT08P-8-3S](#) [PTSF06SE-14-12S](#) [120-1833-000](#) [QCM019PC2DC012B](#) [121583-0217](#) [121667-0020](#) [RD10A16-19-P6CS051/1](#) [RD16A14-12-S6CS051/2](#) [1301240347](#) [1301790476](#) [1301240268](#) [1301240275](#) [1301860183](#) [1301860906](#) [1302261559](#) [DCU-08BFEA-LL7001](#) [RM15WTP-CP\(5\)\(71\)](#) [14381-10SG-300](#) [14482](#)