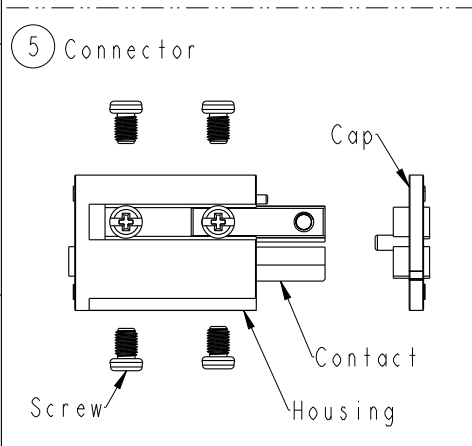
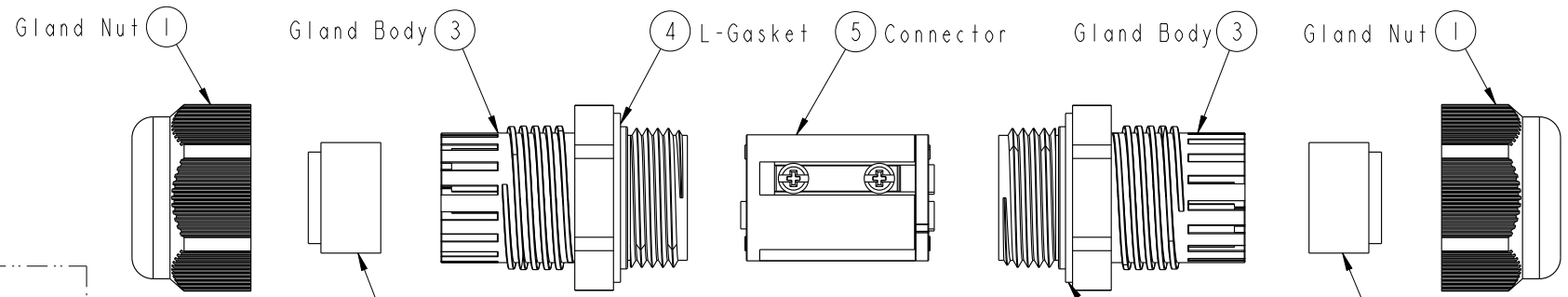
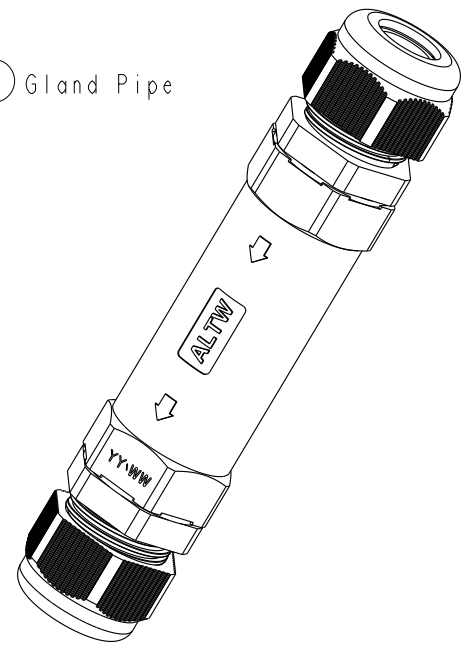
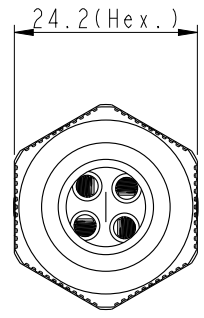
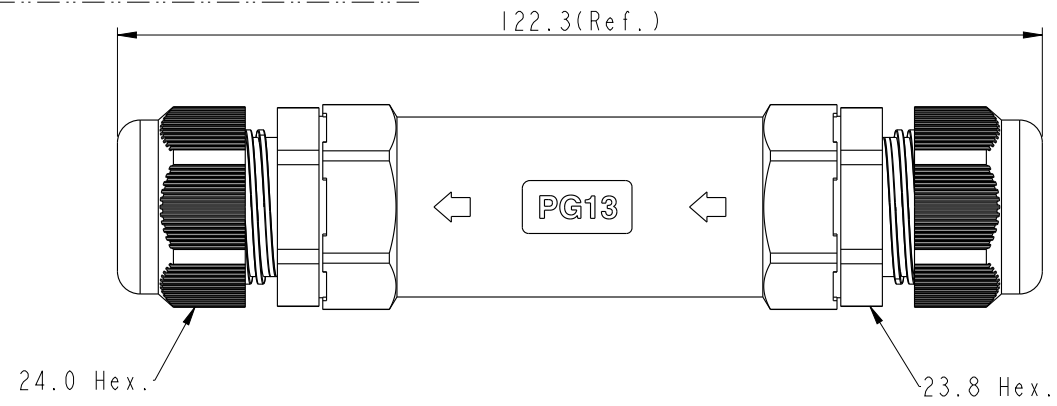
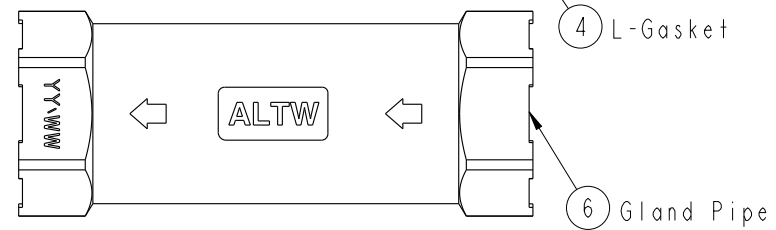


THIS DOCUMENT IS SUBJECT TO CHANGE WITHOUT NOTICE. IT IS CONFIDENTIAL AND A PROPERTY OF Amphenol LTW. DISCLOSURE TO THIRD PARTY HAS TO BE AUTHORIZED BY Amphenol LTW.

REV.	ECN NO.	DATE	SIGN	DESCRIPTION
F	LEN1750030~41	2017/04/25	Lingpeng	Add 5Pin
G	LEN1790175~90	2017-08-29	Lingpeng	Update The Note
H	NI80019	2019-03-14	Peng	Add All Seals Product



ALTW
CONFIDENTIAL
 2019-03-14
R&D DEPT.



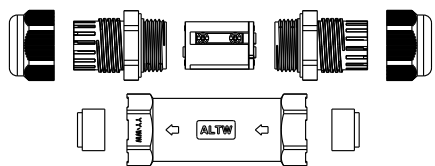
UNIT:mm		
TOLERANCE	±0.5mm	

TITLE PG13 Cable Joiner Screw-in Type			
SCALE 1:1	SIZE A4	SHEET 1 OF 2	
REV. H	WC-REV. A.10	☉: Inspection item	

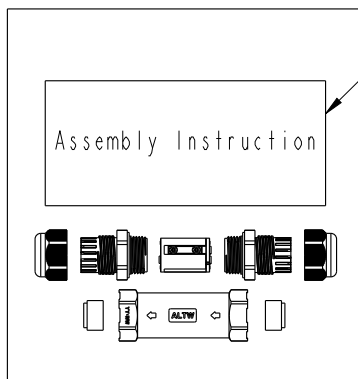
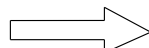
Amphenol LTW
 安費諾亮泰企業股份有限公司

ITEM NO.	DRAWN BY Peng	DATE 2019-03-14
DWG NO. SC-L-PG13-XX-XX	CHECKED BY Ma Fei	DATE 2019-03-14
CUSTOMER ALTW	APPROVED BY Jerry	DATE 2019-03-14

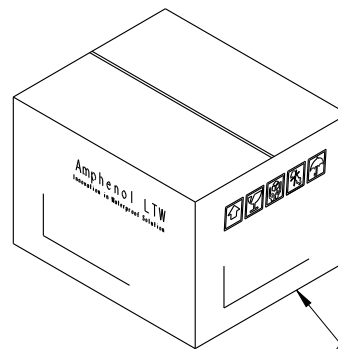
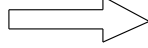
THIS DOCUMENT IS SUBJECT TO CHANGE WITHOUT NOTICE. IT IS CONFIDENTIAL AND A PROPERTY OF Amphenol LTW. DISCLOSURE TO THIRD PARTY HAS TO BE AUTHORIZED BY Amphenol LTW.



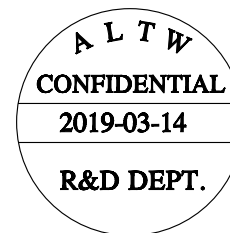
QTY: 1PCS



QTY: 105PCS



9 Carton

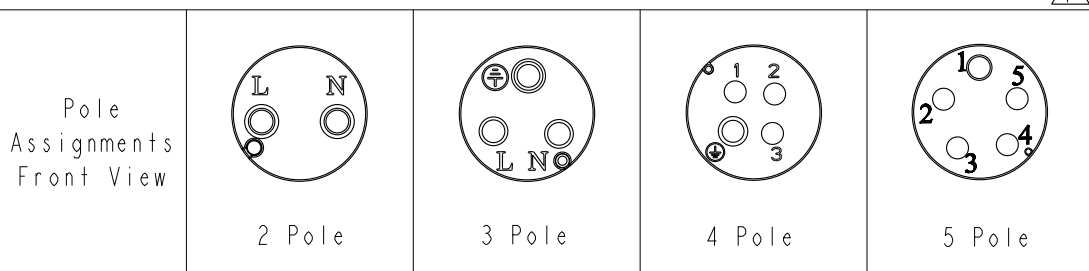


Both A Unassembled product And An Instruction Are In A PE Bag.
(將一套未組裝的產品和說明書, 放置於一個PE袋, 並封口)

SC-L-PG13-XX-XX
L: Cable Joiner
Type: PG13

Seal's Color: BL-Blue(藍色) For Cable Range: $\varnothing 4.5\sim\varnothing 6.5\text{mm}$
 YW-Yellow(黃色) For Cable Range: $\varnothing 6.5\sim\varnothing 8.5\text{mm}$
 GN-Green(綠色) For Cable Range: $\varnothing 8.5\sim\varnothing 10.5\text{mm}$
 RD-Red(紅色) For Cable Range: $\varnothing 10.5\sim\varnothing 11.5\text{mm}$
 AA-All Seals For Cable Range: $\varnothing 4.5\sim\varnothing 11.5\text{mm}$

No. of Conductor: 02-2Poles
 03-3Poles
 04-4Poles
 05-5Poles



Note: $\triangle G$ $\triangle H$

- * ⌀ Important Dimension To Check.
- * Waterproof Rate: IP68 (50M,24H)
- * Housing & Cap: PA66+GF, Black.
- * Gland Pipe: PA66, Black.
- * Gland Body: PA66, Black.
- * Gland Nut: PA6+GF, Black.
- * Contact: Brass, Nickel Plated
- * L-Gasket : Silicone, Yellow.
- * Seal: Silicone, Blue & Yellow & Green & Red.
- * Rated Voltage: 2~5 Pole 450V AC
- * Rated Current: 2 & 3 Pole Max. 20A ,
 4 Pole Max. 15A.
 5 Pole Max. 8A.
- * Operating Temperature: $-40^{\circ}\sim+105^{\circ}$.
- * Gland Pipe Recommended Tightening Torque:
 8~10 Kgf.cm(0.78~0.98 N.m)
- * Gland Nut Recommended Tightening Torque:
 8~10 Kgf.cm(0.78~0.98 N.m)
- * Seal For Cable OD: $\varnothing 4.5\sim\varnothing 6.5\text{mm}$, Blue.
 $\varnothing 6.5\sim\varnothing 8.5\text{mm}$, Yellow.
 $\varnothing 8.5\sim\varnothing 10.5\text{mm}$, Green .
 $\varnothing 10.5\sim\varnothing 11.5\text{mm}$, Red.
- * Screws for Wire connection recommended tightening torque: 2.00~4.50 kgf.cm / 0.196~0.44 N.m
- * Applicable Wire gauge (Stranded wire cross section) 0.75mm^2 (18AWG) ~ 2.5mm^2 (14AWG)

UNIT:mm		TITLE PG13 Cable Joiner Screw-in Type	
TOLERANCE	$\pm 0.5\text{mm}$ $\triangle H$	SCALE 1:1	SIZE A4
		REV. H	WC-REV. A.10
		SHEET 2 OF 2	
		QC: Inspection item	

Amphenol LTW
安費諾亮泰企業股份有限公司

ITEM NO	DRAWN BY Peng	DATE 2019-03-14
DWG NO SC-L-PG13-XX-XX	CHECKED BY Ma Fei	DATE 2019-03-14
CUSTOMER ALTW	APPROVED BY Jerry	DATE 2019-03-14

X-ON Electronics

Largest Supplier of Electrical and Electronic Components

Click to view similar products for [Standard Circular Connector](#) category:

Click to view products by [Amphenol](#) manufacturer:

Other Similar products are found below :

[C015](#) [10F006](#) [001](#) [1](#) [5M2530B10P](#) [600247N007](#) [600259N006](#) [600273N007](#) [600432N009](#) [6280-2PG-519](#) [6280-3PG-311](#) [6280-3SG-311](#)
[6280-7SG-3DC](#) [6280-7SG-522](#) [6282-5PG-311](#) [6282-6PG-519](#) [6282-8SG-311](#) [6283-11](#) [6283-15](#) [6290](#) [6293](#) [6382-2PG-311](#) [6382-2PG-3DC](#)
[6382-2SG-321](#) [6382-2SG-3DC](#) [6382-4SG-516](#) [67-03E20-37P](#) [681-PMG](#) [CXS3102A14S2P](#) [CXS3102A181S](#) [CXS3106A14S6S](#) [MB12P-1](#)
[MB12R-6](#) [7251-2PG-300](#) [7251-2SG-300](#) [7251-4PG-300](#) [7251-4SG-300](#) [7251-5PG-300](#) [7251-5SG-300](#) [7251-6SG-300](#) [7251-7PG-300](#) [7251-](#)
[8PG-300](#) [7271-6SG-300](#) [7282-3PG-300-CH3](#) [73000005663](#) [75-190011-03P](#) [75-190216-08S](#) [75-190218-10P](#) [75-214636-52P](#) [75-474118-10P](#)
[75-474211-03P](#) [75-474218-19S](#) [75-474618-01S](#)