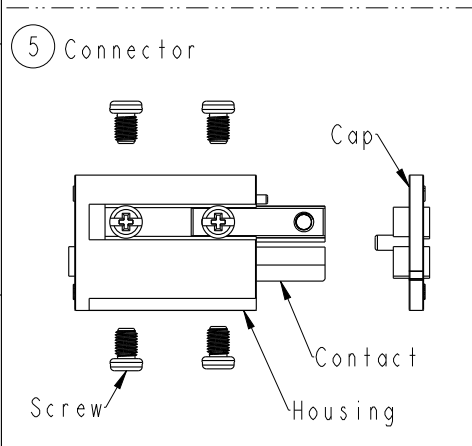
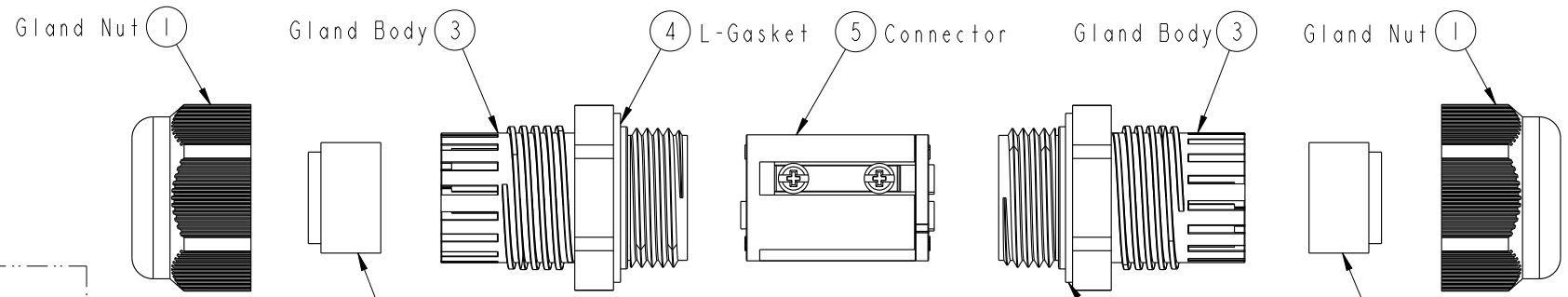
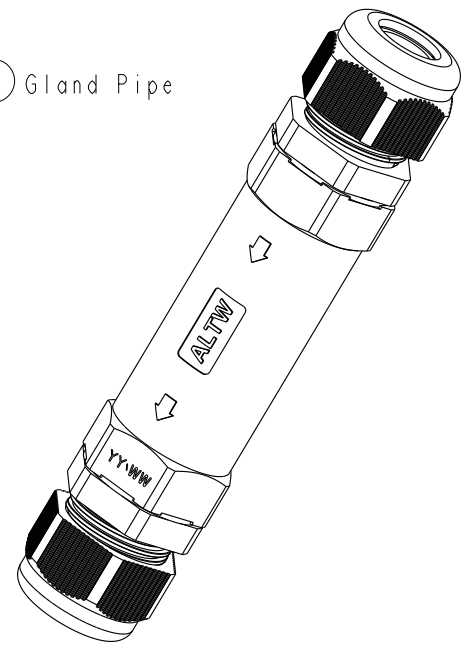
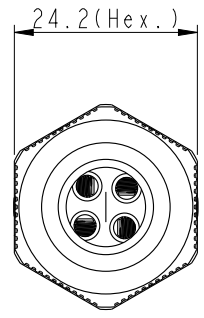
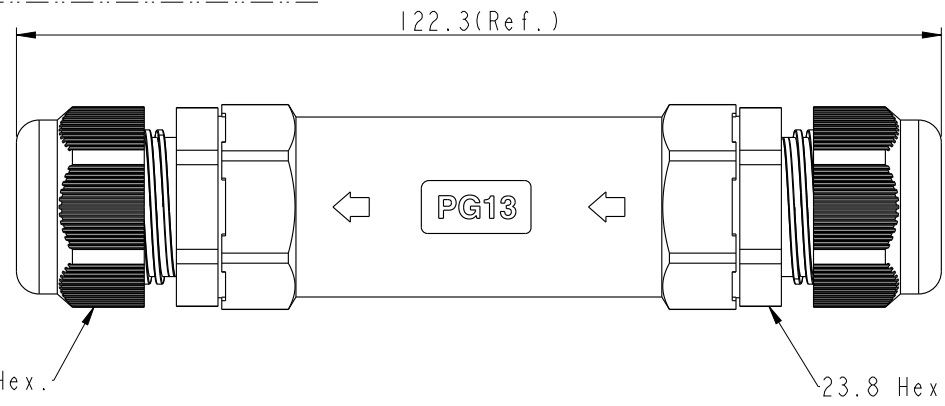
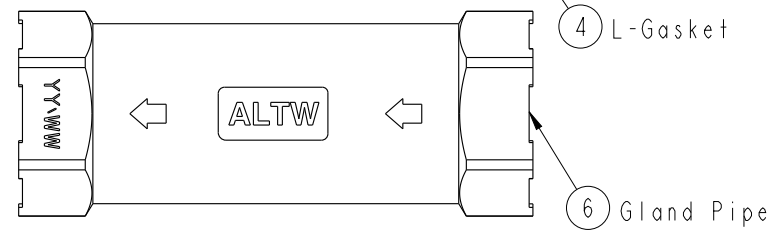


THIS DOCUMENT IS SUBJECT TO CHANGE WITHOUT NOTICE. IT IS CONFIDENTIAL AND A PROPERTY OF Amphenol LTW. DISCLOSURE TO THIRD PARTY HAS TO BE AUTHORIZED BY Amphenol LTW.

REV.	ECN NO.	DATE	SIGN	DESCRIPTION
C	LEN1650262~273	2016/04/25	Joyy	Modify The Wire Cross Section
D	LEN1681124~135	2016/07/12	Joyy	Modify The Size Of The Red Seal
E	LEN1690117~128	2016/09/10	Joyy	Modify the packaging and quantity



ALTW
CONFIDENTIAL
2016-09-10
R&D DEPT.



UNIT: mm	
TOLERANCE	
.X	±0.25
.XX	±0.1
.XXX	±0.05
ANGLES	±1°

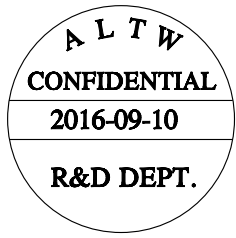
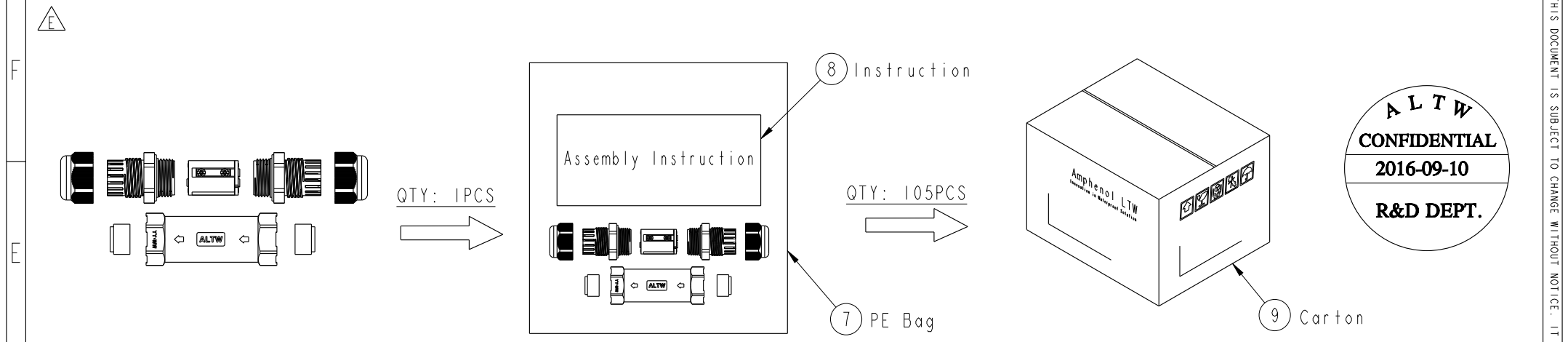
TITLE PG13 Cable Joiner Screw-in Type			
SCALE 1:1	SIZE A4	SHEET 1 OF 2	
REV. E	WC-REV. A.8	☉: Inspection item	

Amphenol LTW
安費諾亮泰企業股份有限公司

ITEM NO.	DRAWN BY Joyy	DATE 2016-09-10
DWG NO. SC-L-PG13-XX-XX	CHECKED BY Ma Fei	DATE 2016-09-10
CUSTOMER ALTW	APPROVED BY Jerry	DATE 2016-09-10

THIS DOCUMENT IS SUBJECT TO CHANGE WITHOUT NOTICE. IT IS CONFIDENTIAL AND A PROPERTY OF Amphenol LTW. DISCLOSURE TO THIRD PARTY HAS TO BE AUTHORIZED BY Amphenol LTW.

1 2 3 4 5 6 7 8



Both A Unassembled product And An Instruction Are In A PE Bag.
(將一套未組裝的產品和說明書, 放置於一個PE袋, 並封口)

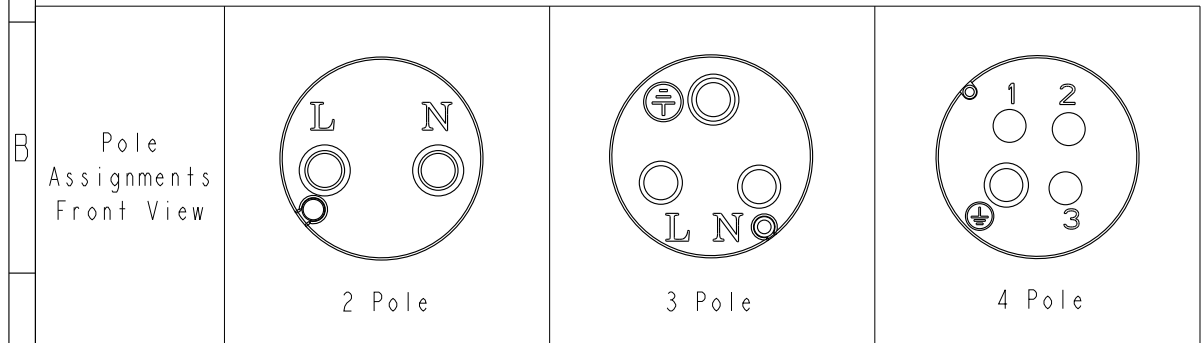
- Note:**
- * \varnothing Important Dimension To Check.
 - * Waterproof Rate: IP68 (50M,24H)
 - * Housing & Cap: PA66+GF, Black.
 - * Gland Pipe: PA66, Black.
 - * Gland Body: PA66, Black.
 - * Gland Nut: PA6+GF, Black.
 - * Contact: Brass, Nickel Plated
 - * L-Gasket : Silicone, Yellow.
 - * Seal: Silicone, Blue & Yellow & Green & Red.
 - * Rated Voltage: 2~4 Pole 450V AC
 - * Rated Current: 2 & 3 Pole Max. 20A ,
4 Pole Max. 15A.
 - * Operating Temperature: -40°~+105°.
 - * Gland Pipe Recommended Tightening Torque:
6~8 Kgf.cm(0.59~0.78 N.m)
 - * Gland Nut Recommended Tightening Torque:
6~8 Kgf.cm(0.59~0.78 N.m)
 - * Seal For Cable OD: \varnothing 4.5~ \varnothing 6.5mm, Blue.
 \varnothing 6.6~ \varnothing 8.5mm, Yellow.
 \varnothing 8.6~ \varnothing 10.5mm, Green .
 \varnothing 10.6~ \varnothing 11.5mm, Red.
 - * Screws for Wire connection recommended tightening torque: 1.29~2.50 kgf.cm / 0.127~0.245 N.m
 - * Applicable Wire gauge (Stranded wire cross section) 0.75mm² (18AWG) ~ 2.5mm² (14AWG)

SC-L-PG13-XX-XX

L:Cable Joiner
Type: PG13

Seal's Color: BL-Blue(藍色) For Cable Range: \varnothing 4.5~ \varnothing 6.5mm
 YW-Yellow(黃色) For Cable Range: \varnothing 6.6~ \varnothing 8.5mm
 GN-Green(綠色) For Cable Range: \varnothing 8.6~ \varnothing 10.5mm
 RD-Red(紅色) For Cable Range: \varnothing 10.6~ \varnothing 11.5mm

No. of Conductor: 02-2Poles
 03-3Poles
 04-4Poles



UNIT:mm		TITLE PG13 Cable Joiner Screw-in Type			ITEM NO	DRAWN BY	DATE
		SCALE 1:1	SIZE A4	SHEET 2 OF 2		Joyy	2016-09-10
TOLERANCE .X ±0.25 .XX ±0.1 .XXX ±0.05 ANGLES ±1°		REV. E	WC-REV. A.8	QC: Inspection item	DWG NO SC-L-PG13-XX-XX	CHECKED BY Ma Fei	DATE 2016-09-10
					CUSTOMER ALTW	APPROVED BY Jerry	DATE 2016-09-10

Amphenol LTW
安費諾亮泰企業股份有限公司

2 3 4 5 6 7 8 FMW10702-01-02A1

X-ON Electronics

Largest Supplier of Electrical and Electronic Components

Click to view similar products for [Standard Circular Connector](#) category:

Click to view products by [Amphenol](#) manufacturer:

Other Similar products are found below :

[6134-336-13149](#) [6134-337-11149](#) [6134-337-2390](#) [6134-341-17149](#) [6280-4SG-516](#) [6280-7SG-3DC](#) [6282-2SG-315](#) [67-02E12-60PX](#) [680-SMG](#) [CXS3102A181S](#) [7251-5SG-300](#) [7282-3PG-300-CH3](#) [75-190218-10P](#) [75-190611-03S](#) [75-474014-05S](#) [75-474118-10P](#) [75-474211-03P](#) [75-474218-19S](#) [75-474618-04P](#) [75-474618-04S](#) [75-474620-07P](#) [80-190222-18P](#) [805-005-07NF11-19PC](#) [805-005-07NF15-7PA](#) [8280-4PG-516](#) [8280-7PG-519](#) [862256-1](#) [866857-1](#) [867865-1](#) [PT08P-14-19S](#) [PT08P-14-5S](#) [PT08P-8-3S](#) [PTSF06SE-14-12S](#) [120-1833-000](#) [QCM019PC2DC012B](#) [121583-0217](#) [121667-0020](#) [RD10A16-19-P6CS051/1](#) [RD16A14-12-S6CS051/2](#) [1301240347](#) [1301790476](#) [1301240268](#) [1301240275](#) [1301860183](#) [1301860906](#) [1302261559](#) [DCU-08BFEA-LL7001](#) [RM15WTP-CP\(5\)\(71\)](#) [14381-10SG-300](#) [14482](#)