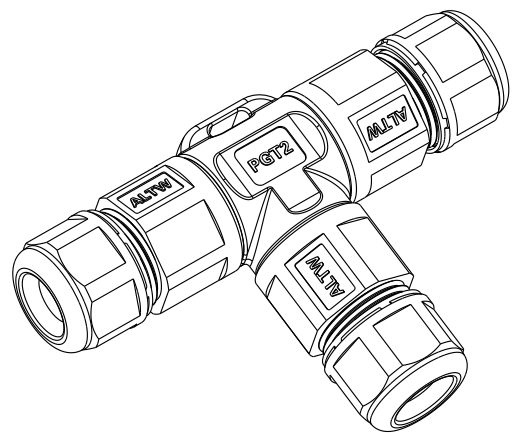
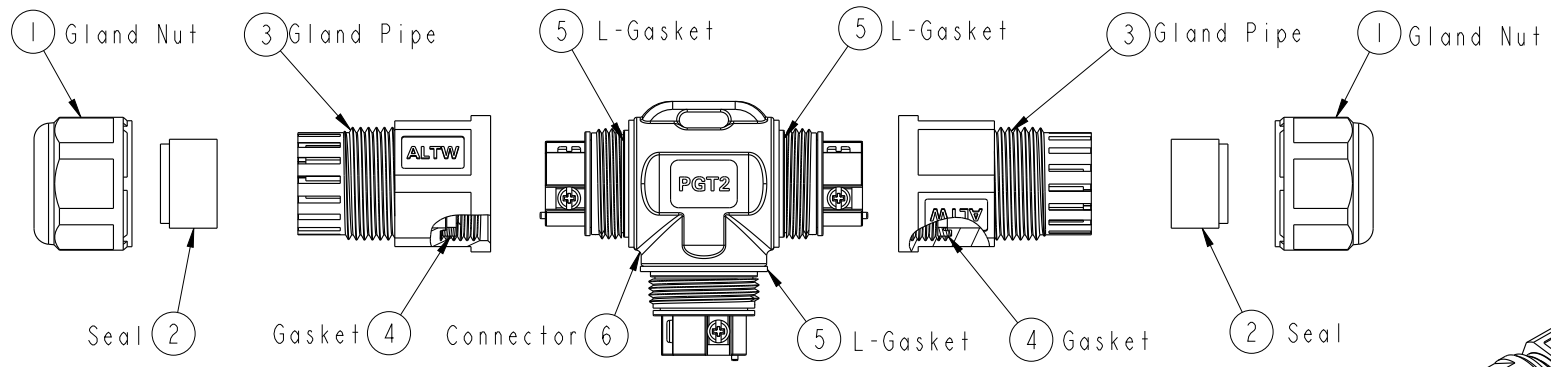
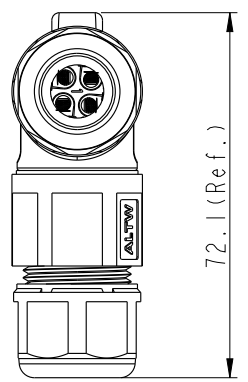
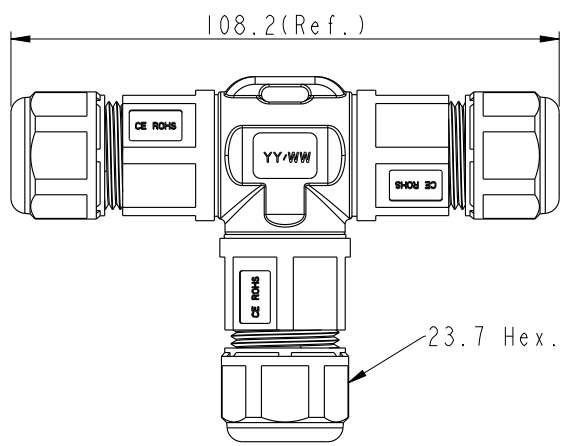
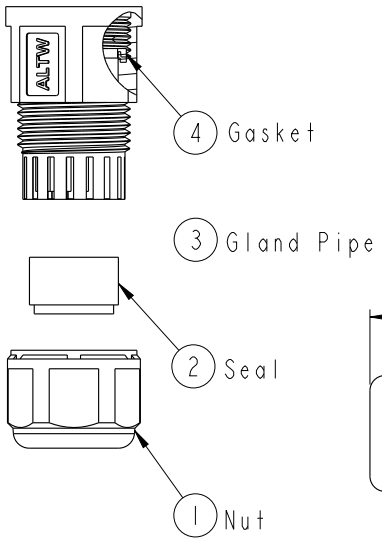
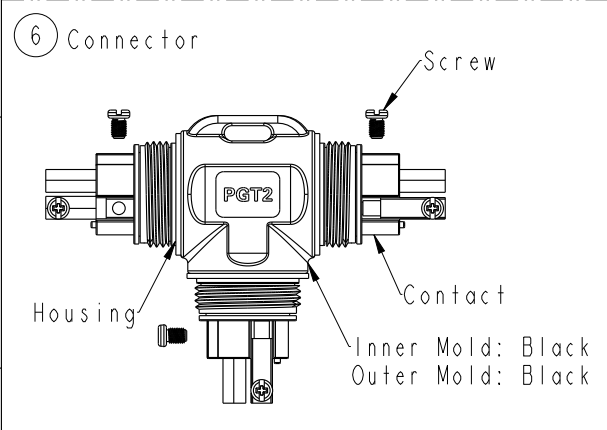


REV.	ECN NO.	DATE	SIGN	DESCRIPTION
D	LEN1690129~140	2016/07/12	Joyy	Modify the packaging and quantity
E	LEN1790195~206	2016/09/10	Lingpeng	Update The Note
F	NI80019	2019-03-14	Peng	Add 5 PIN



ALTW
CONFIDENTIAL
 2019-03-14
R&D DEPT.



UNIT:mm		
TOLERANCE	±0.5mm	

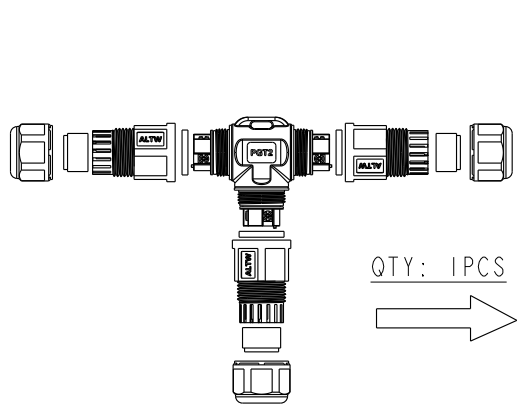
TITLE PGT2 Cable Joiner Screw-in Type			
SCALE 67:100	SIZE A4	SHEET 1 OF 2	
REV. F	WC-REV. A.17	☉: Inspection item	

Amphenol LTW
 安費諾亮泰企業股份有限公司

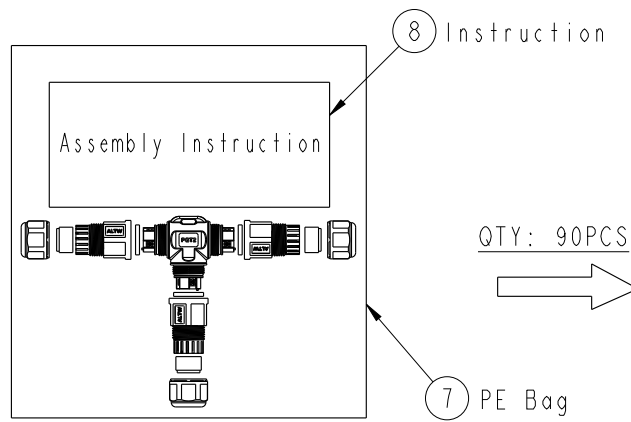
ITEM NO.	DRAWN BY Peng	DATE 2019-03-14
DWG NO. SC-L-PGT2-XX-XX	CHECKED BY Ma Fei	DATE 2019-03-14
CUSTOMER ALTW	APPROVED BY Jerry	DATE 2019-03-14

THIS DOCUMENT IS SUBJECT TO CHANGE WITHOUT NOTICE. IT IS CONFIDENTIAL AND A PROPERTY OF AMPHENOL LTW. DISCLOSURE TO THIRD PARTY HAS TO BE AUTHORIZED BY AMPHENOL LTW.

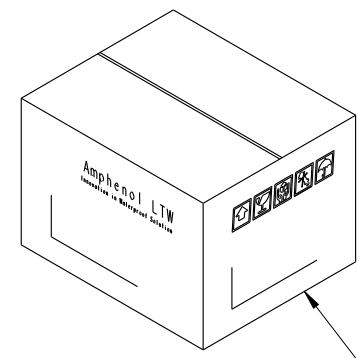
THIS DOCUMENT IS SUBJECT TO CHANGE WITHOUT NOTICE. IT IS CONFIDENTIAL AND A PROPERTY OF Amphenol LTW. DISCLOSURE TO THIRD PARTY HAS TO BE AUTHORIZED BY Amphenol LTW.



QTY: 1PCS
→



QTY: 90PCS
→



Both A Unassembled product And An Instruction Are In A PE Bag.
(將一套未組裝的產品和說明書, 放置於一個PE袋, 並封口)

SC-L-PGT2-XX-XX
L: Cable Joiner
Type: PGT2

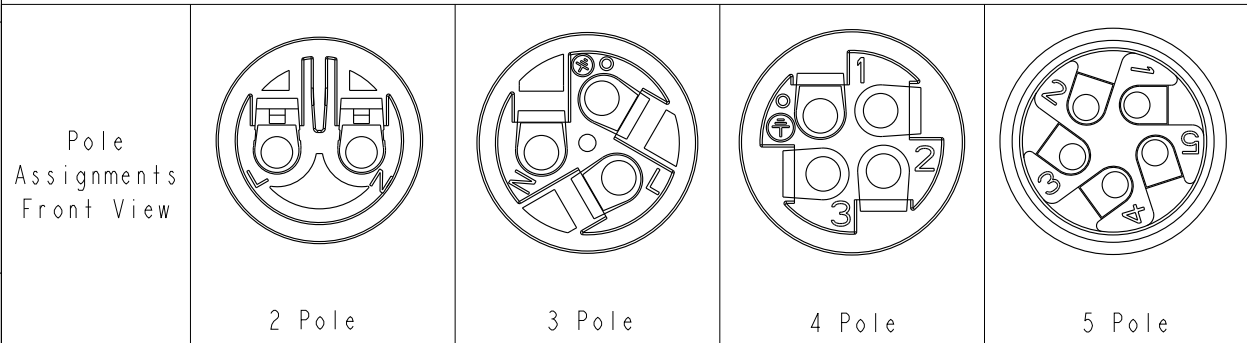
Seal's Color: BL-Blue(藍色) For Cable Range: $\varnothing 4.5 \sim \varnothing 6.5\text{mm}$
 YW-Yellow(黃色) For Cable Range: $\varnothing 6.5 \sim \varnothing 8.5\text{mm}$
 GN-Green(綠色) For Cable Range: $\varnothing 8.5 \sim \varnothing 10.5\text{mm}$
 RD-Red(紅色) For Cable Range: $\varnothing 10.5 \sim \varnothing 12.5\text{mm}$
 AA-All Seals For Cable Range: $\varnothing 4.5 \sim \varnothing 12.5\text{mm}$



No. of Conductor: 02-2Poles
 03-3Poles
 04-4Poles
 05-5Poles

Note:

- * Important Dimension To Check.
- * Waterproof Rate: IP68 (50M, 24H)
- * Housing: PA66+GF, Black.
- * Gland Nut: PA6+GF, Black.
- * Gland Pipe: PA66, Black.
- * Contact: Brass, Nickel Plated
- * Gasket & L- Gasket : Silicone, Yellow.
- * Seal: Silicone, Blue & Yellow & Green & Red.
- * Rated Voltage: 2~4 Pole 450V AC
- * Rated Current: 2 & 3 Pole Max. 20A ,
 4 Pole Max. 15A,
 5 Pole Max. 10A.
- * Operating Temperature: $-40^{\circ} \sim +105^{\circ}$.
- * Gland Pipe Recommended Tightening Torque:
 8~10 Kgf.cm(0.78~0.98 N.m)
- * Gland Nut Recommended Tightening Torque:
 8~10 Kgf.cm(0.78~0.98 N.m)
- * Seal For Cable OD: $\varnothing 4.5 \sim \varnothing 6.5\text{mm}$, Blue.
 $\varnothing 6.5 \sim \varnothing 8.5\text{mm}$, Yellow.
 $\varnothing 8.5 \sim \varnothing 10.5\text{mm}$, Green .
 $\varnothing 10.5 \sim \varnothing 12.5\text{mm}$, Red.
- * Screws for Wire connection recommended tightening torque: 2.00~4.50kgf.cm / 0.196~0.44 N.m
- * Applicable Wire gauge (Stranded wire cross section)
 2~4Pole: 0.75mm^2 (18AWG) ~ 2.5mm^2 (14AWG)
 5Pole: 0.5mm^2 (20AWG) ~ 1.5mm^2 (16AWG)



UNIT:mm		TITLE PGT2 Cable Joiner Screw-in Type	
TOLERANCE $\pm 0.5\text{mm}$	SCALE: 67:100	SIZE: A4	SHEET 2 OF 2
	REV. F	WC-REV. A.17	Inspection item

Amphenol LTW
 安費諾亮泰企業股份有限公司

ITEM NO	DRAWN BY Peng	DATE 2019-03-14
DWG NO SC-L-PGT2-XX-XX	CHECKED BY Ma Fei	DATE 2019-03-14
CUSTOMER ALTW	APPROVED BY Jerry	DATE 2019-03-14

X-ON Electronics

Largest Supplier of Electrical and Electronic Components

Click to view similar products for [Circular Metric Connectors](#) category:

Click to view products by [Amphenol](#) manufacturer:

Other Similar products are found below :

[1424048](#) [1021212](#) [600X518037X](#) [6STD09SAM99B70X](#) [6STD15PCR99B70A](#) [8R4000A16M020](#) [1200910002](#) [1201150041](#) [1203580030](#)
[1200700064](#) [1200700263](#) [1200700416](#) [1200730102](#) [1200770002](#) [1-2823588-2](#) [130203-0054](#) [1300140026](#) [1300150099](#) [1-3637-600-5205](#)
[1545399](#) [1594331](#) [1600413](#) [1612606](#) [1612618](#) [1614660](#) [1A4000-348](#) [CA06EW24-10P-B-03](#) [21036836414](#) [2823064-1](#) [1610759](#) [A1642LK-](#)
[II-T](#) [1R3006A20M005](#) [41-01016](#) [41-40011](#) [41-40017](#) [42-00006](#) [42-01015](#) [4-22279-4](#) [4-22281-1](#) [4-22284-9](#) [43-00002](#) [43-00113](#) [43-00130](#)
[43-01028](#) [43-01034](#) [43-01088](#) [43-01090](#) [43-01203](#) [43-01209](#) [43-01335](#)