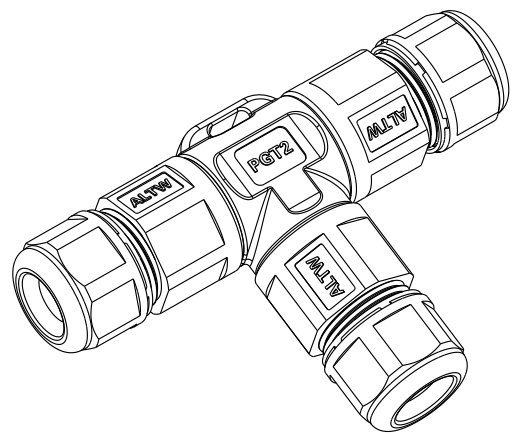
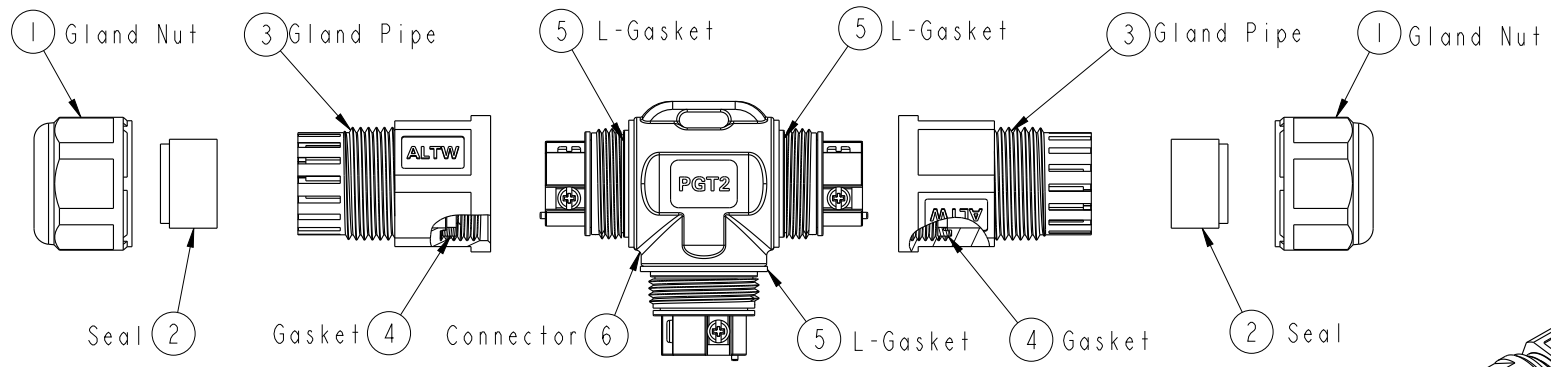
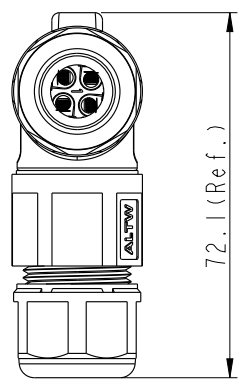
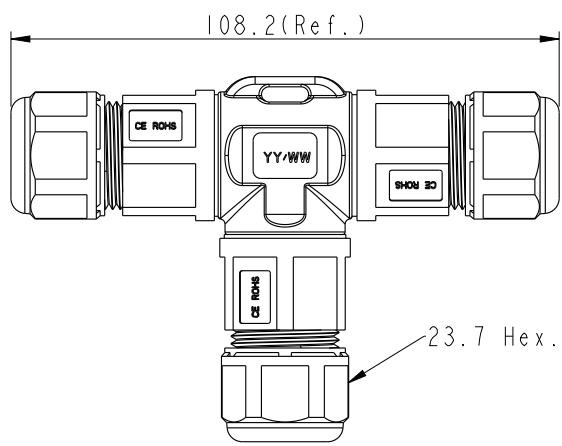
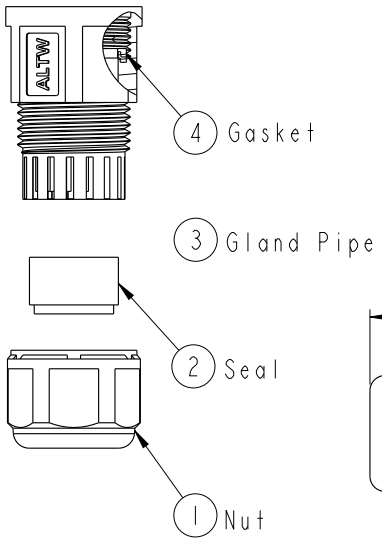
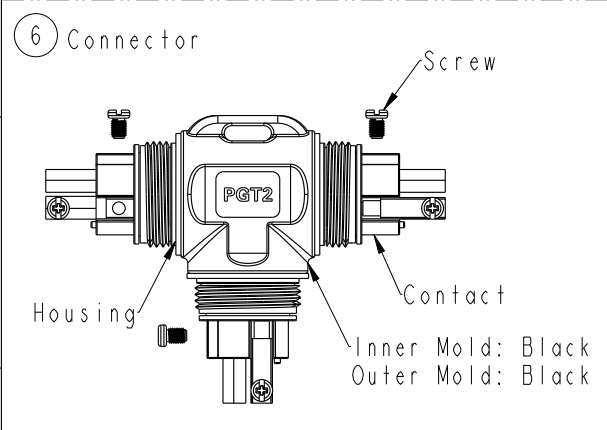


REV.	ECN NO.	DATE	SIGN	DESCRIPTION
D	LEN1690129~140	2016/07/12	Joyy	Modify the packaging and quantity
E	LEN1790195~206	2016/09/10	Lingpeng	Update The Note
F	NI80019	2019-03-14	Peng	Add 5 PIN



**ALTW**  
**CONFIDENTIAL**  
 2019-03-14  
**R&D DEPT.**



UNIT:mm

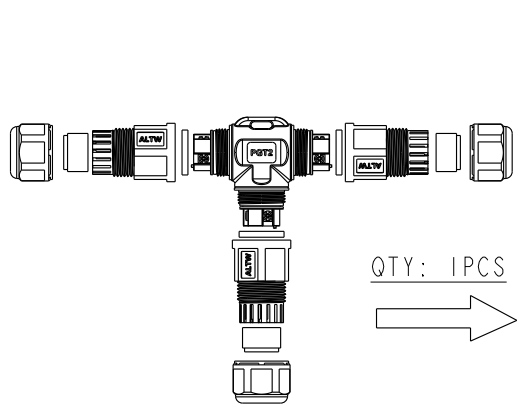
TOLERANCE ±0.5mm

TITLE PGT2 Cable Joiner Screw-in Type			
SCALE 67:100	SIZE A4	SHEET 1 OF 2	
REV. F	WC-REV. A.17	☉: Inspection item	

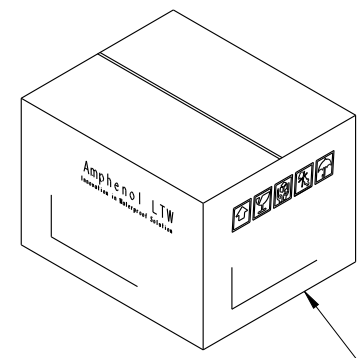
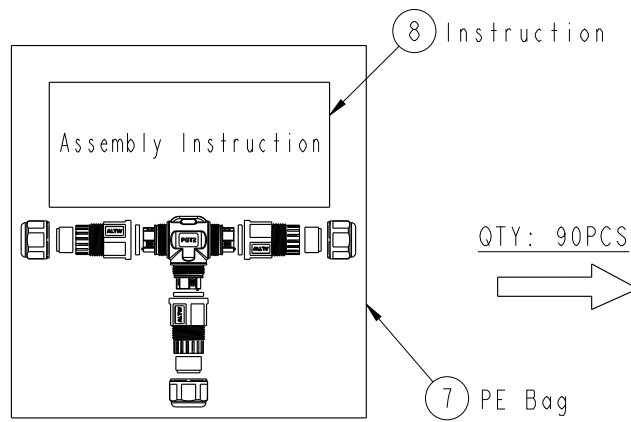
**Amphenol LTW**  
 安費諾亮泰企業股份有限公司

ITEM NO.	DRAWN BY Peng	DATE 2019-03-14
DWG NO. SC-L-PGT2-XX-XX	CHECKED BY Ma Fei	DATE 2019-03-14
CUSTOMER ALTW	APPROVED BY Jerry	DATE 2019-03-14

THIS DOCUMENT IS SUBJECT TO CHANGE WITHOUT NOTICE. IT IS CONFIDENTIAL AND A PROPERTY OF AMPHENOL LTW. DISCLOSURE TO THIRD PARTY HAS TO BE AUTHORIZED BY AMPHENOL LTW.



QTY: 1PCS  
→



**ALTW**  
**CONFIDENTIAL**  
2019-03-14  
**R&D DEPT.**

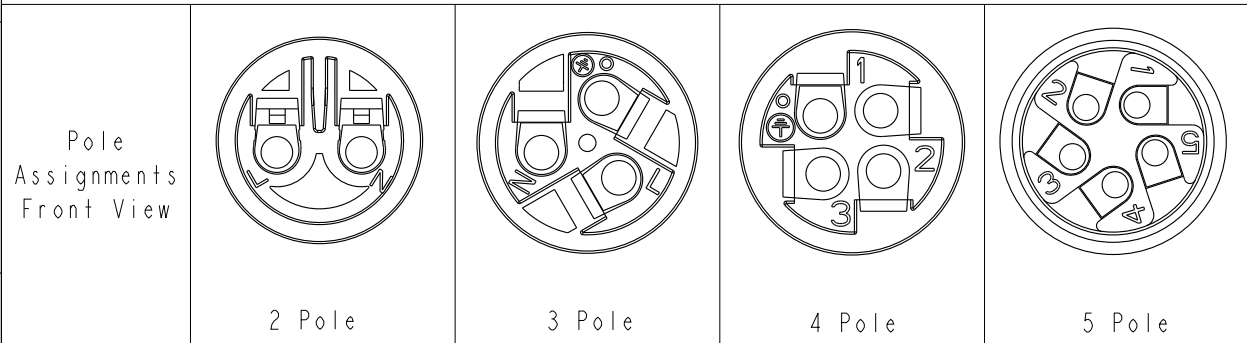
9 Carton

Both A Unassembled product And An Instruction Are In A PE Bag.  
(將一套未組裝的產品和說明書, 放置於一個PE袋, 並封口)

SC-L-PGT2-XX-XX  
L: Cable Joiner  
Type: PGT2

- Seal's Color: BL-Blue(藍色) For Cable Range:  $\varnothing 4.5 \sim \varnothing 6.5\text{mm}$   
 YW-Yellow(黃色) For Cable Range:  $\varnothing 6.5 \sim \varnothing 8.5\text{mm}$   
 GN-Green(綠色) For Cable Range:  $\varnothing 8.5 \sim \varnothing 10.5\text{mm}$   
 RD-Red(紅色) For Cable Range:  $\varnothing 10.5 \sim \varnothing 12.5\text{mm}$   
 AA-All Seals For Cable Range:  $\varnothing 4.5 \sim \varnothing 12.5\text{mm}$
- △
- No. of Conductor: 02-2Poles  
 03-3Poles  
 04-4Poles  
 05-5Poles

- Note: △
- \* (C) Important Dimension To Check.
  - \* Waterproof Rate: IP68 (50M, 24H)
  - \* Housing: PA66+GF, Black.
  - \* Gland Nut: PA6+GF, Black.
  - \* Gland Pipe: PA66, Black.
  - \* Contact: Brass, Nickel Plated
  - \* Gasket & L- Gasket : Silicone, Yellow.
  - \* Seal: Silicone, Blue & Yellow & Green & Red.
  - \* Rated Voltage: 2~4 Pole 450V AC
  - \* Rated Current: 2 & 3 Pole Max. 20A ,  
 4 Pole Max. 15A,  
 5 Pole Max. 10A.
  - \* Operating Temperature:  $-40^{\circ} \sim +105^{\circ}$ .
  - \* Gland Pipe Recommended Tightening Torque:  
 8~10 Kgf.cm(0.78~0.98 N.m)
  - \* Gland Nut Recommended Tightening Torque:  
 8~10 Kgf.cm(0.78~0.98 N.m)
  - \* Seal For Cable OD:  $\varnothing 4.5 \sim \varnothing 6.5\text{mm}$ , Blue.  
 $\varnothing 6.5 \sim \varnothing 8.5\text{mm}$ , Yellow.  
 $\varnothing 8.5 \sim \varnothing 10.5\text{mm}$ , Green .  
 $\varnothing 10.5 \sim \varnothing 12.5\text{mm}$ , Red.
  - \* Screws for Wire connection recommended tightening torque: 2.00~4.50kgf.cm / 0.196~0.44 N.m
  - \* Applicable Wire gauge (Stranded wire cross section)  
 2~4Pole:  $0.75\text{mm}^2$  (18AWG) ~  $2.5\text{mm}^2$  (14AWG)  
 5Pole:  $0.5\text{mm}^2$  (20AWG) ~  $1.5\text{mm}^2$  (16AWG)



UNIT:mm		TITLE PGT2 Cable Joiner Screw-in Type		
TOLERANCE $\pm 0.5\text{mm}$	SCALE: 67:100	SIZE: A4	SHEET 2 OF 2	
	REV. F	WC-REV. A.17	QC: Inspection item	

**Amphenol LTW**  
安費諾亮泰企業股份有限公司

ITEM NO	DRAWN BY Peng	DATE 2019-03-14
DWG NO SC-L-PGT2-XX-XX	CHECKED BY Ma Fei	DATE 2019-03-14
CUSTOMER ALTW	APPROVED BY Jerry	DATE 2019-03-14

## X-ON Electronics

Largest Supplier of Electrical and Electronic Components

*Click to view similar products for [Circular Metric Connectors](#) category:*

*Click to view products by [Amphenol](#) manufacturer:*

Other Similar products are found below :

[600X518037X](#) [MA1EAF1200](#) [6STD15PCR99B70A](#) [8R4000A16M020](#) [8R4A00A18M020](#) [8R5000A16M005](#) [1200910008](#) [1200910011](#)  
[1300140094](#) [130203-0054](#) [1300150099](#) [RF-12S1N8A90DU](#) [1-3637-600-5205](#) [1612618](#) [8R4006A16M010](#) [8R5006A18A120](#) [1604232](#)  
[1R3006A20M005](#) [RF-12P1N8A80DU](#) [RF-12P1N8A90DU](#) [41-01016](#) [41-40011](#) [41-40017](#) [42-01015](#) [4-22279-4](#) [4-22281-1](#) [4-22284-9](#) [43-](#)  
[00002](#) [43-01166](#) [41-40005](#) [41-40016](#) [43-00161](#) [43-01191](#) [XS3P-M421-2](#) [600X518050X](#) [SACC-DSI-FS-5P-PG9-L180 SC](#) [8R4006A16A120](#)  
[8R4000A16M010](#) [RKC 50/16](#) [1R3004A20A1201](#) [6-22279-3](#) [N03FA03144](#) [1300140077](#) [XS8A-0441](#) [859RD04-103R004](#) [860RD04-113R004](#)  
[860RD04-213R004](#) [860-X08-213R004](#) [1-213245-2](#) [2273142-2](#)