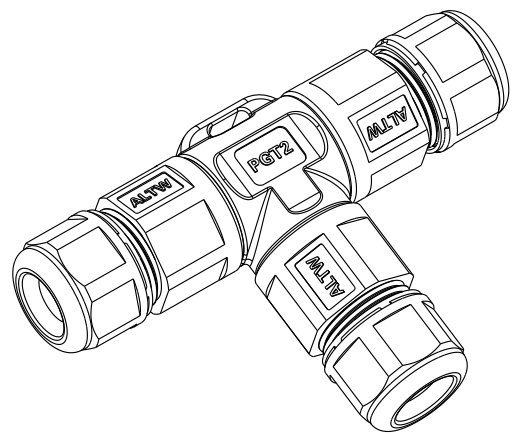
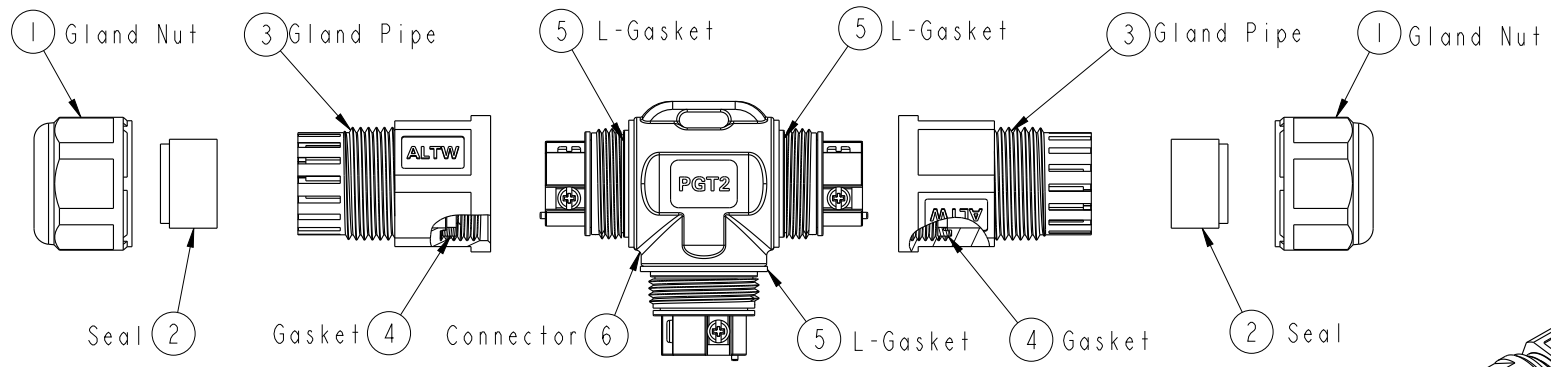
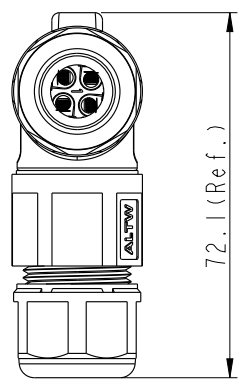
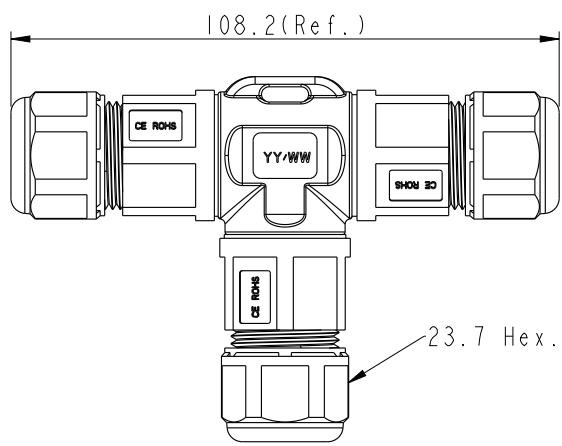
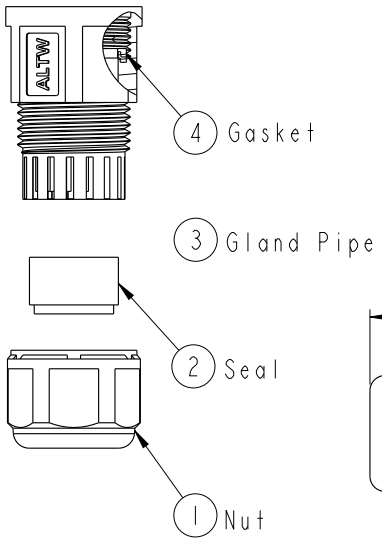
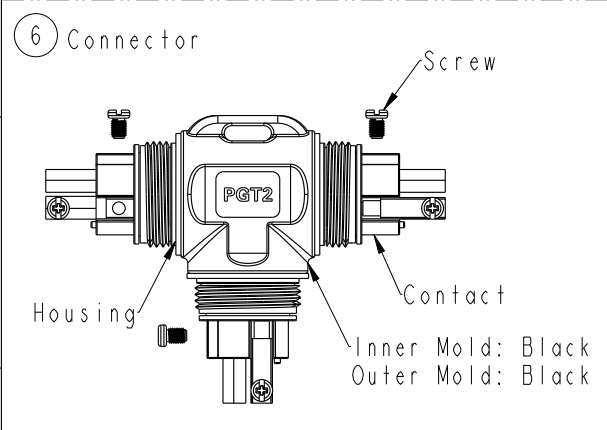




REV.	ECN NO.	DATE	SIGN	DESCRIPTION
D	LEN1690129~140	2016/07/12	Joyy	Modify the packaging and quantity
E	LEN1790195~206	2016/09/10	Lingpeng	Update The Note
F	NI80019	2019-03-14	Peng	Add 5 PIN



ALTW
CONFIDENTIAL
 2019-03-14
R&D DEPT.



UNIT:mm  
 TOLERANCE ±0.5mm

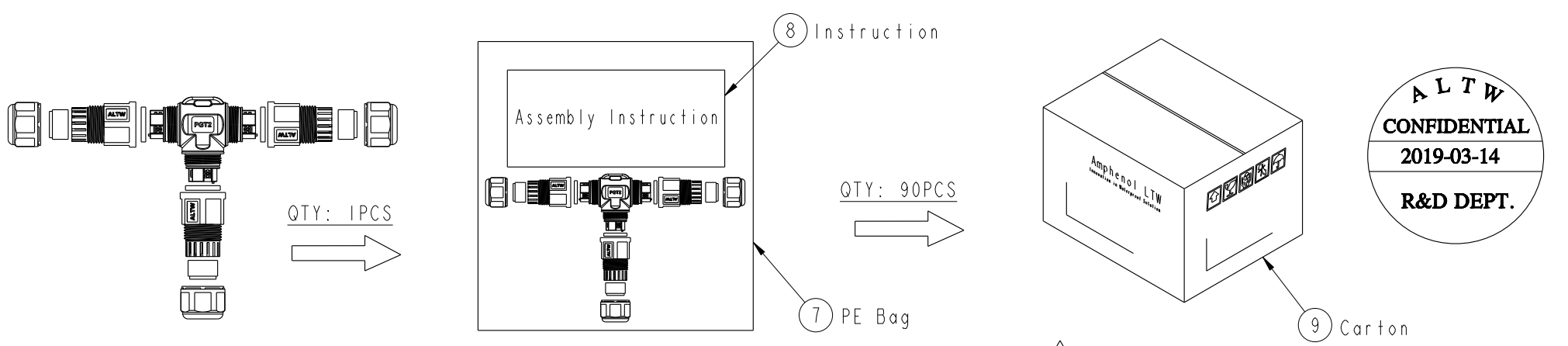
TITLE PGT2 Cable Joiner Screw-in Type			
SCALE 67:100	SIZE A4	SHEET 1 OF 2	
REV. F	WC-REV. A.17	☉: Inspection item	

Amphenol LTW
安費諾亮泰企業股份有限公司

ITEM NO.	DRAWN BY Peng	DATE 2019-03-14
DWG NO. SC-L-PGT2-XX-XX	CHECKED BY Ma Fei	DATE 2019-03-14
CUSTOMER ALTW	APPROVED BY Jerry	DATE 2019-03-14

THIS DOCUMENT IS SUBJECT TO CHANGE WITHOUT NOTICE. IT IS CONFIDENTIAL AND A PROPERTY OF AMPHENOL LTW. DISCLOSURE TO THIRD PARTY HAS TO BE AUTHORIZED BY AMPHENOL LTW.

THIS DOCUMENT IS SUBJECT TO CHANGE WITHOUT NOTICE. IT IS CONFIDENTIAL AND A PROPERTY OF Amphenol LTW. DISCLOSURE TO THIRD PARTY HAS TO BE AUTHORIZED BY Amphenol LTW.



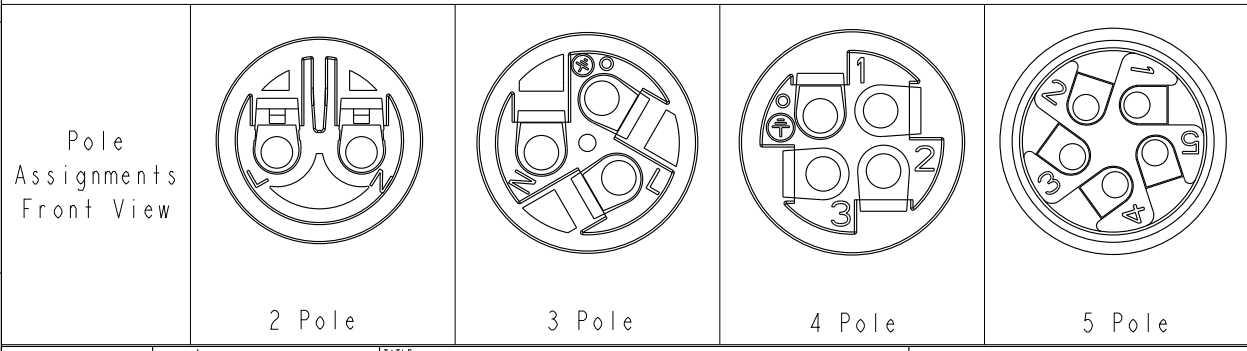
A L T W
CONFIDENTIAL
 2019-03-14
R&D DEPT.

Both A Unassembled product And An Instruction Are In A PE Bag.
 (將一套未組裝的產品和說明書, 放置於一個PE袋, 並封口)

SC-L-PGT2-XX-XX
 L: Cable Joiner
 Type: PGT2

- Seal's Color: BL-Blue(藍色) For Cable Range: $\varnothing 4.5\sim\varnothing 6.5\text{mm}$
 YW-Yellow(黃色) For Cable Range: $\varnothing 6.5\sim\varnothing 8.5\text{mm}$
 GN-Green(綠色) For Cable Range: $\varnothing 8.5\sim\varnothing 10.5\text{mm}$
 RD-Red(紅色) For Cable Range: $\varnothing 10.5\sim\varnothing 12.5\text{mm}$
 AA-All Seals For Cable Range: $\varnothing 4.5\sim\varnothing 12.5\text{mm}$
- △ No. of Conductor: 02-2Poles
 03-3Poles
 04-4Poles
 05-5Poles

- Note: △
- * (⊕) Important Dimension To Check.
 - * Waterproof Rate: IP68 (50M,24H)
 - * Housing: PA66+GF, Black.
 - * Gland Nut: PA6+GF, Black.
 - * Gland Pipe: PA66, Black.
 - * Contact: Brass, Nickel Plated
 - * Gasket & L- Gasket : Silicone, Yellow.
 - * Seal: Silicone, Blue & Yellow & Green & Red.
 - * Rated Voltage: 2~4 Pole 450V AC
 - * Rated Current: 2 & 3 Pole Max. 20A ,
 4 Pole Max. 15A,
 5 Pole Max. 10A.
 - * Operating Temperature: $-40^{\circ}\sim+105^{\circ}$.
 - * Gland Pipe Recommended Tightening Torque:
 8~10 Kgf.cm(0.78~0.98 N.m)
 - * Gland Nut Recommended Tightening Torque:
 8~10 Kgf.cm(0.78~0.98 N.m)
 - * Seal For Cable OD: $\varnothing 4.5\sim\varnothing 6.5\text{mm}$, Blue.
 $\varnothing 6.5\sim\varnothing 8.5\text{mm}$, Yellow.
 $\varnothing 8.5\sim\varnothing 10.5\text{mm}$, Green .
 $\varnothing 10.5\sim\varnothing 12.5\text{mm}$, Red.
 - * Screws for Wire connection recommended tightening torque: 2.00~4.50kgf.cm / 0.196~0.44 N.m
 - * Applicable Wire gauge (Stranded wire cross section)
 2~4Pole: 0.75mm^2 (18AWG) ~ 2.5mm^2 (14AWG)
 5Pole: 0.5mm^2 (20AWG) ~ 1.5mm^2 (16AWG)



UNIT:mm		TITLE PGT2 Cable Joiner Screw-in Type		ITEM NO		DRAWN BY Peng		DATE 2019-03-14	
TOLERANCE ±0.5mm		SCALE 67:100	SIZE A4	SHEET 2	OF 2	DWG NO SC-L-PGT2-XX-XX		CHECKED BY Ma Fei	
REV. F		WC-REV. A.17		QC: Inspection item		CUSTOMER ALTW		APPROVED BY Jerry	
								DATE 2019-03-14	

Amphenol LTW
 安費諾亮泰企業股份有限公司

X-ON Electronics

Largest Supplier of Electrical and Electronic Components

Click to view similar products for [Circular Metric Connectors](#) category:

Click to view products by [Amphenol](#) manufacturer:

Other Similar products are found below :

[600X518037X](#) [6STD15PCR99B70A](#) [8R4000A16M020](#) [8R5000A16M005](#) [1200910002](#) [1203580030](#) [1200910008](#) [1200910011](#) [1300140094](#)
[130203-0054](#) [1300140026](#) [1300150099](#) [1-3637-600-5205](#) [1612618](#) [21036836414](#) [8R4006A16M010](#) [1R3006A20M005](#) [41-40011](#) [42-00006](#)
[42-01015](#) [4-22279-4](#) [4-22281-1](#) [4-22284-9](#) [43-00113](#) [43-01203](#) [41-40013](#) [42-00008](#) [43-00343](#) [43-01026](#) [43-01162](#) [43-01173](#) [43-10000](#)
[XS3P-M421-2](#) [600X518050X](#) [8R5006A16M020](#) [8R5006A16M005](#) [8R4000A16M010](#) [6-22279-3](#) [1605332](#) [N03FA03144](#) [1300140077](#) [43-](#)
[16213](#) [43-01338](#) [XS2RD4265](#) [XS2R-D426-1](#) [XS8A-0441](#) [859RD04-103R004](#) [860RD04-113R004](#) [860RD04-213R004](#) [1-213245-2](#)