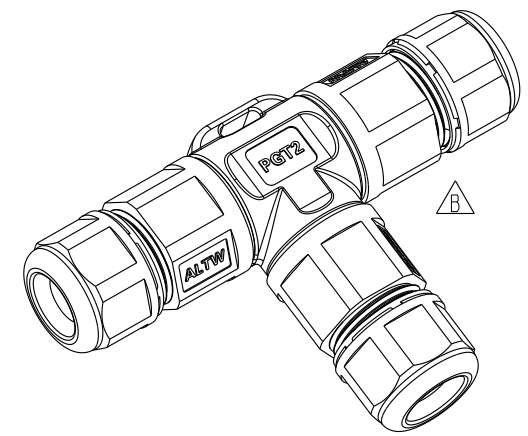
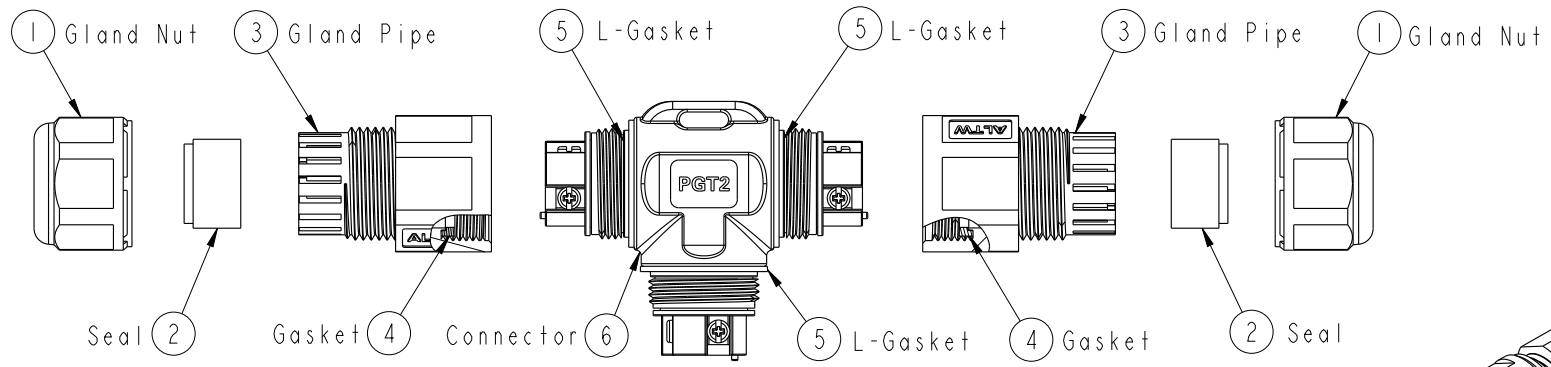
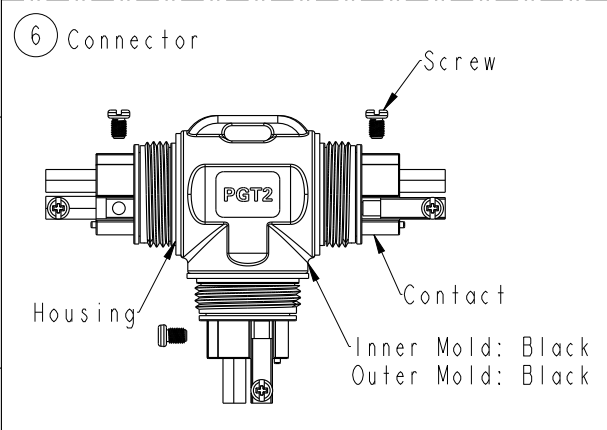
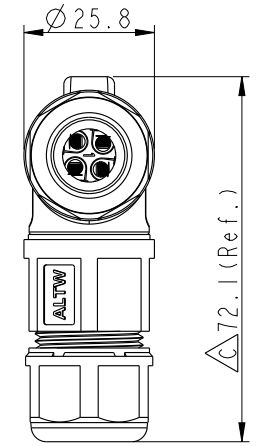
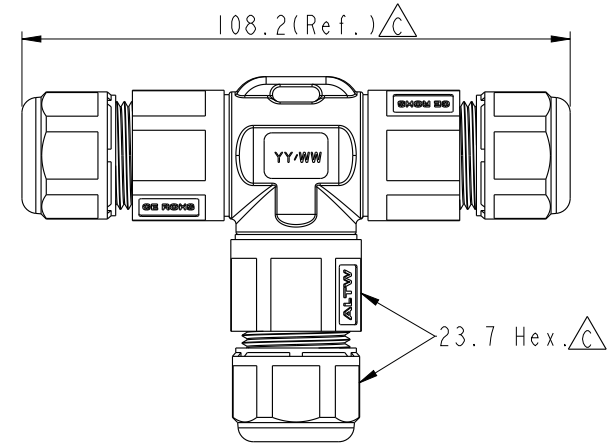
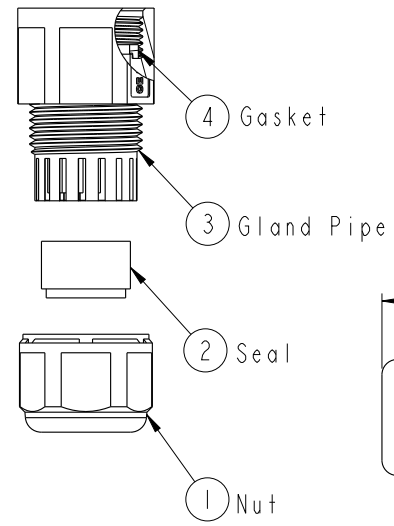


THIS DOCUMENT IS SUBJECT TO CHANGE WITHOUT NOTICE. IT IS CONFIDENTIAL AND A PROPERTY OF Amphenol LTW. DISCLOSURE TO THIRD PARTY HAS TO BE AUTHORIZED BY Amphenol LTW.

REV.	ECN NO.	DATE	SIGN	DESCRIPTION
B	LEN1650238~249	2015/04/23	Joyy	Modify The Wire Cross Section
C	LEN1681136~147	2016/07/12	Joyy	Modify The Dimensions
D	LEN1690129~140	2016/09/10	Joyy	Modify the packaging and quantity

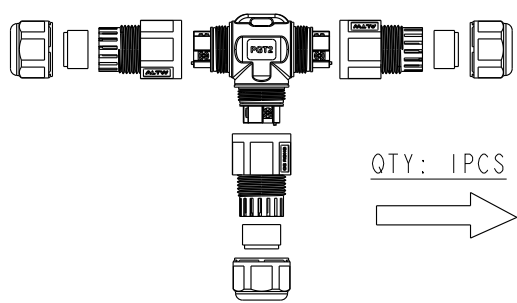


ALTW
CONFIDENTIAL
 2016-09-10
R&D DEPT.

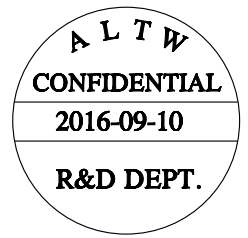
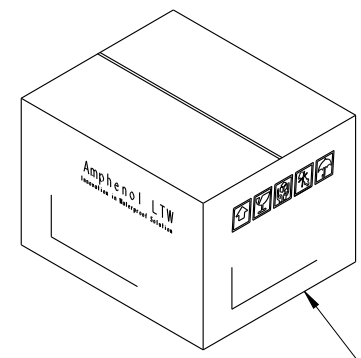
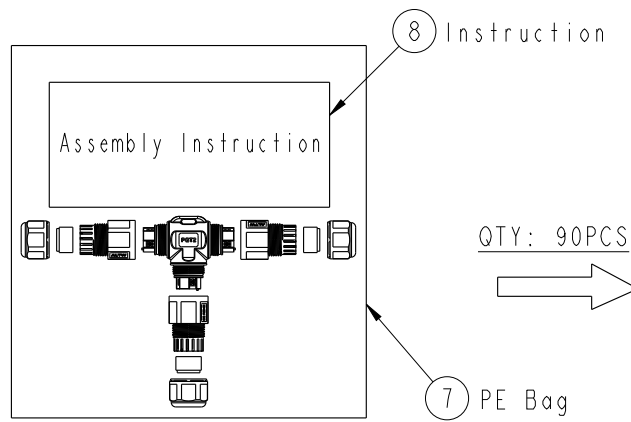


UNIT: mm TOLERANCE .X ±0.25 .XX ±0.1 .XXX ±0.05 ANGLES ±1°		TITLE PGT2 Cable Joiner Screw-in Type		Amphenol LTW 安費諾亮泰企業股份有限公司		ITEM NO. SC-L-PGT2-XX-XX	DRAWN BY Joyy	DATE 2016-09-10
		SCALE 67:100	SIZE A4	SHEET 1 OF 2	REV. D	WC-REV. A.14	CUSTOMER ALTW	CHECKED BY Ma Fei
		(CC) Inspection item				APPROVED BY Jerry	DATE 2016-09-10	8 FMW10702-01-02A1

THIS DOCUMENT IS SUBJECT TO CHANGE WITHOUT NOTICE. IT IS CONFIDENTIAL AND A PROPERTY OF Amphenol LTW. DISCLOSURE TO THIRD PARTY HAS TO BE AUTHORIZED BY Amphenol LTW.



QTY: 1PCS
→



Both A Unassembled product And An Instruction Are In A PE Bag.
(將一套未組裝的產品和說明書, 放置於一個PE袋, 並封口)

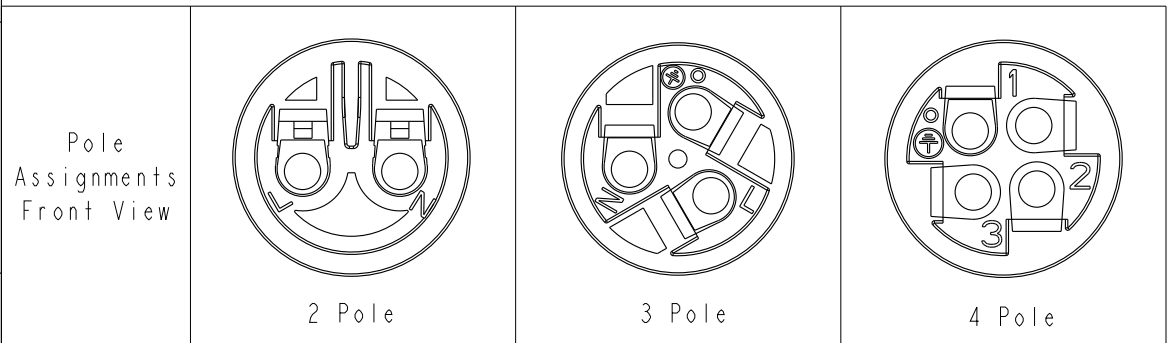
SC-L-PGT2-XX-XX
L: Cable Joiner
Type: PGT2

Seal's Color: BL-Blue(藍色) For Cable Range: $\varnothing 4.5\sim\varnothing 6.5\text{mm}$
 YW-Yellow(黃色) For Cable Range: $\varnothing 6.6\sim\varnothing 8.5\text{mm}$
 GN-Green(綠色) For Cable Range: $\varnothing 8.6\sim\varnothing 10.5\text{mm}$
 RD-Red(紅色) For Cable Range: $\varnothing 10.6\sim\varnothing 12.5\text{mm}$

No. of Conductor: 02-2Poles
 03-3Poles
 04-4Poles



- Note:
- * \varnothing Important Dimension To Check.
 - * Waterproof Rate: IP68 (50M, 24H)
 - * Housing: PA66+GF, Black.
 - * Gland Nut: PA6+GF, Black.
 - * Gland Pipe: PA66, Black.
 - * Contact: Brass, Nickel Plated
 - * Gasket & L- Gasket : Silicone, Yellow.
 - * Seal: Silicone, Blue & Yellow & Green & Red.
 - * Rated Voltage: 2~4 Pole 450V AC
 - * Rated Current: 2 & 3 Pole Max. 20A ,
4 Pole Max. 15A.
 - * Operating Temperature: $-40^{\circ}\sim+105^{\circ}$.
 - * Gland Pipe Recommended Tightening Torque:
6~8 Kgf.cm(0.59~0.78 N.m)
 - * Gland Nut Recommended Tightening Torque:
6~8 Kgf.cm(0.59~0.78 N.m)
 - * Seal For Cable OD: $\varnothing 4.5\sim\varnothing 6.5\text{mm}$, Blue.
 $\varnothing 6.6\sim\varnothing 8.5\text{mm}$, Yellow.
 $\varnothing 8.6\sim\varnothing 10.5\text{mm}$, Green .
 $\varnothing 10.6\sim\varnothing 12.5\text{mm}$, Red.
 - * Screws for Wire connection recommended tightening torque: 1.29~2.30kgf.cm / 0.127~0.226 N.m
 - * Applicable Wire gauge (Stranded wire cross section) 0.75mm^2 (18AWG) ~ 2.5mm^2 (14AWG)



UNIT:mm		TITLE PGT2 Cable Joiner Screw-in Type	
TOLERANCE .X ±0.25 .XX ±0.1 .XXX ±0.05 ANGLES ±1°	SCALE 67:100	SIZE A4	SHEET 2 OF 2
	REV. D	WC-REV. A.14	\varnothing : Inspection item

Amphenol LTW
安費諾亮泰企業股份有限公司

ITEM NO	DRAWN BY Joyy	DATE 2016-09-10
DWG NO SC-L-PGT2-XX-XX	CHECKED BY Ma Fei	DATE 2016-09-10
CUSTOMER ALTW	APPROVED BY Jerry	DATE 2016-09-10

X-ON Electronics

Largest Supplier of Electrical and Electronic Components

Click to view similar products for [Circular Metric Connectors](#) category:

Click to view products by [Amphenol](#) manufacturer:

Other Similar products are found below :

[600X518037X](#) [MA1EAF1200](#) [6STD09SAM99B70X](#) [8R4A00A18M020](#) [1300140094](#) [130203-0054](#) [1300150099](#) [1-3637-600-5205](#) [1545399](#)
[1A4000-348](#) [8R4006A16M010](#) [8R5006A18A120](#) [1R3006A20M005](#) [RF-12P1N8A80DU](#) [RF-12P1N8A90DU](#) [41-01016](#) [41-40010](#) [41-40011](#)
[41-40017](#) [42-01015](#) [4-22279-4](#) [4-22281-1](#) [4-22284-9](#) [43-10041](#) [41-40005](#) [41-40016](#) [43-00132](#) [XS3P-M421-2](#) [600X518050X](#) [SACC-DSI-](#)
[FS-5P-PG9-L180 SC](#) [8R4000A16M010](#) [1R3004A20A1201](#) [N03FA03144](#) [1300140077](#) [41-01117](#) [XS2RD4265](#) [RSC 4/9](#) [XS2R-D426-1](#)
[XS8A-0441](#) [859RD04-103R004](#) [860RD04-113R004](#) [860-X08-213R004](#) [1-213245-2](#) [2273142-2](#) [LC20-02PMFS-SW8001](#) [1604360](#)
[21031121405](#) [MSAS-12PMMP-SF8001](#) [8P-04BFFB-SL7001](#) [21038122406](#)