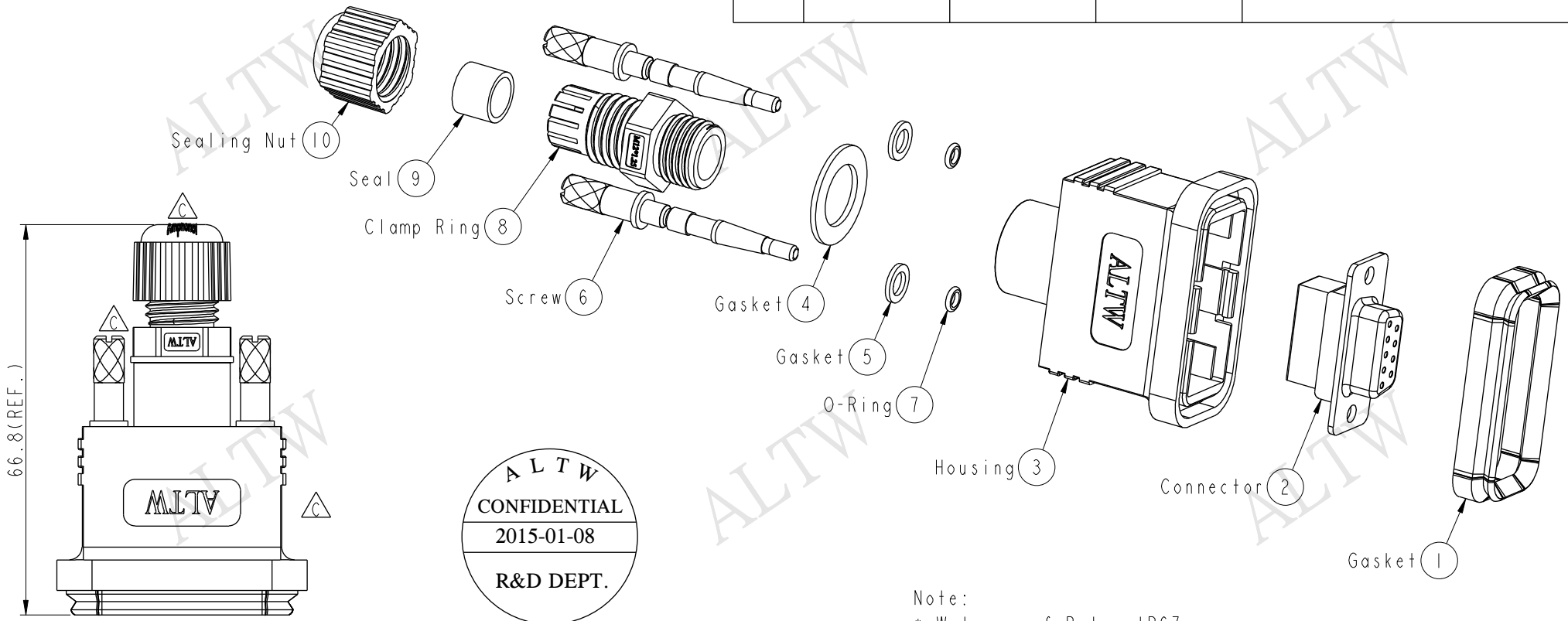


REV.	ECN NO.	DATE	SIGN	DESCRIPTION
B	LEN-050024	2010/04/10	Li Xiu Zhi	Change Dimension.
C	LEN1510157	2015/01/08	Vicky	Update Logo



- Note:
- * Waterproof Rate: IP67
 - * Housing: ABS, Black.
 - * Connector: D-SUB 09Pin, Female Pin: Brass, Gold Flash.
 - * Gasket: EPDM, Black.
 - * Screw: Brass, Nickel Plated.
 - * O-Ring: Silicone, Clear.
 - * Seal For Cable OD: $\varnothing 3.5\text{mm} \sim \varnothing 7.0\text{mm}$
 - * Clamp Ring: Nylon, Black.
 - * Seal: EPDM, Black.
 - * Sealing Nut: Nylon, Black.
 - * One Set Unassembled in One PE Bag.

A	UNIT:mm	TITLE		ITEM NO		DRAWN BY	DATE
	TOLERANCE	D-SUB Conn. Assy Screw DB09Pin F Conn. F Pin		SDB-09BFFC-SL7001		Vicky	2015-01-08
	$\pm 0.5 \text{ mm}$	SCALE	SIZE	SHEET	OF	CHECKED BY	DATE
		1:1	A4	1	1	Sam	2015-01-08
		REV.	WC-REV.	((C)): Inspection item		APPROVED BY	DATE
		C	A.2			Rita	2015-01-08
				Amphenol LTW			
				安費諾亮泰企業股份有限公司			
				CUSTOMER			
				ALTW			
						8 FMM10702-01-02A1	

THIS DOCUMENT IS SUBJECT TO CHANGE WITHOUT NOTICE. IT IS CONFIDENTIAL AND A PROPERTY OF Amphenol LTW. DISCLOSURE TO THIRD PARTY HAS TO BE AUTHORIZED BY Amphenol LTW.

X-ON Electronics

Largest Supplier of Electrical and Electronic Components

Click to view similar products for [D-Sub Standard Connectors](#) category:

Click to view products by [Amphenol](#) manufacturer:

Other Similar products are found below :

[56F706-005-LI](#) [56F711-015](#) [012-9507-004](#) [LV242999-142T12](#) [015-0341-000](#) [015-0372-005](#) [015-0372-008](#) [015-8755-001](#) [020419-0104](#)
[012-0467-000](#) [012-9507-034](#) [012-9507-114](#) [020745-0008](#) [609-25P](#) [CT2-18-11PCAU](#) [CT6-10SL-3SC](#) [CT6-10SL-4SC](#) [CT6-14S-2SC](#)
[CT6E14SA7SC](#) [CT6N10SL-4SSA34](#) [M83513/01-FC](#) [M83723/76W24619 L/C](#) [M85049/48-3-2F](#) [6STD09PCM99B70X](#) [6STD09SCM99B30X](#)
[6STD09SCT99S40X](#) [6STD15PCT99S40X](#) [6STD15SCT99S40X](#) [6STF09PCM05B70X](#) [7-135760-9](#) [MC11E-10-6SN](#) [747552-3](#) [MD1-21PS](#)
[MDM-15SCBRM7-F222](#) [MDM96517-699](#) [MDM96521-744](#) [MDVB1-21SL1](#) [MIK0-1-7SH003](#) [MIKQ6-7SH076](#) [MIKQ7-7PH077](#) [MIKQ7-](#)
[7PH11](#) [MIKQ7-7PH32](#) [MJSV-28SL61](#) [MKJ4A1F14-55S](#) [8-135760-3](#) [8STD09PCM99B30X](#) [PG-KV/PV-16-GROM-SEALING](#) [GDA15P](#)
[GDAY15PB](#) [980-0000-170](#)