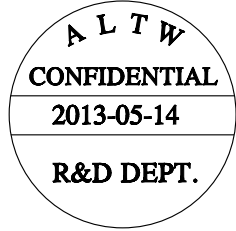
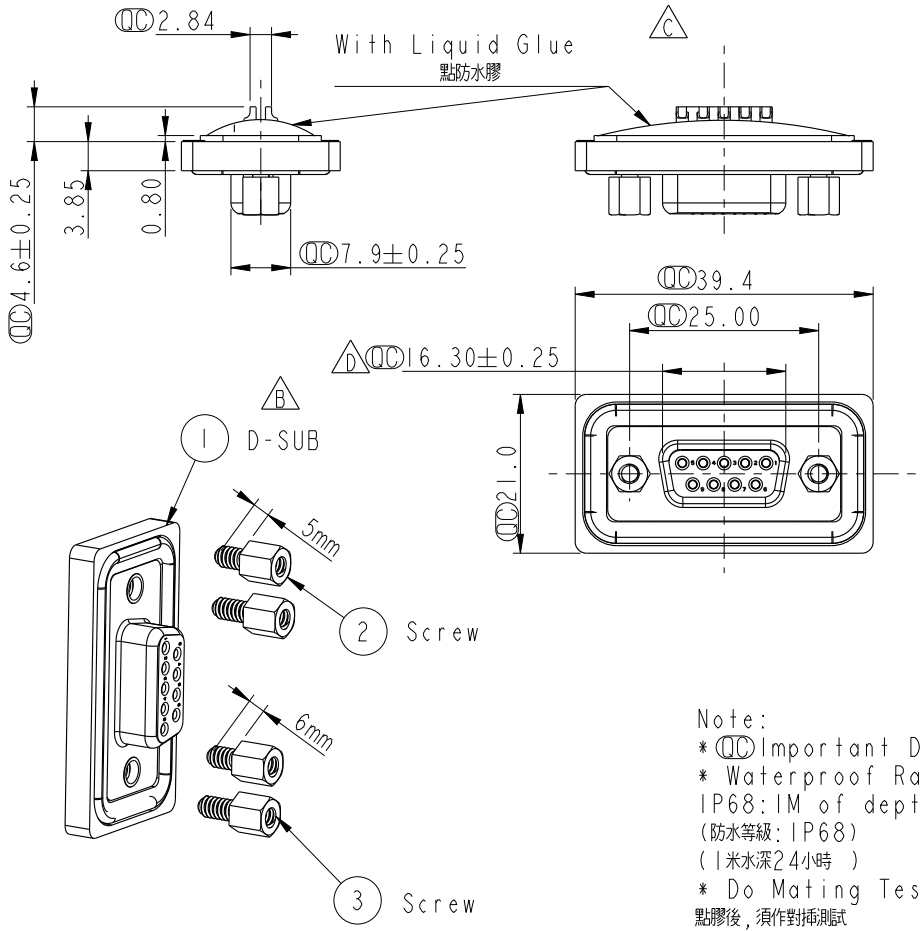


REV.	ECN NO.	DATE	SIGN	DESCRIPTION
B	LE3-710063	2006/12/15	DongYaLi	Move DOR0038S170 To ZSE00100548
C	LEN-970107	2009/07/10	Vicky	Remove Pin Dim.
D	LEN1350209	2013/05/14	Yulong	Change the Dimension



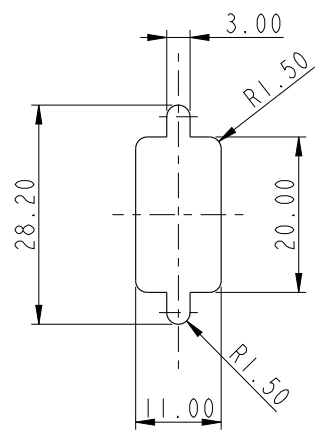
Note:

- * \varnothing Important Dimension.
- * Waterproof Rate: IP68
- IP68: 1M of depth of water 24 hours (防水等級: IP68) (1米水深24小時)
- * Do Mating Test After Glued (點膠後, 須作對插測試)
- * Housing: Black, Nylon+GF.
- * Connector: Black, PBT.
- * Female Pin: Copper Alloy, Gold Plated.
- * Ring: Light Blue, Silicone.
- * Screw: Copper Alloy, Nickel Plated, #4-40 UNC.
- * Applicable Wire Range: 22AWG-26AWG.
- 適用電線範圍: 22AWG-26AWG



Screw L=5.0 For Panel Thickness Under 1.2mm
適用板厚為 1.2mm 以下

Screw L=6.0 For Panel Thickness Between 1.2~2.0mm
適用板厚為 1.2~2.0mm



Recommended Panel Cut-Out
建議挖孔尺寸

UNIT: mm		
TOLERANCE		
.X	±0.25	
.XX	±0.1	
.XXX	±0.05	
ANGLES	±1°	

TITLE D-SUB Conn. Panel Screw DB9P F Conn. F Pin			
SCALE	SIZE	SHEET	OF
1:1	A4	1	1
REV.	WC-REV.	\varnothing : Inspection item	
D	A.3		

Amphenol LTW
安費諾亮泰企業股份有限公司

ITEM NO	SDB-09PFFS-SL8001	DRAWN BY	SamChang	DATE	2013-05-14
DWG NO	SDB-09PFFS-SL8001	CHECKED BY	Victor	DATE	2013-05-14
CUSTOMER	ALTW	APPROVED BY	Maslow	DATE	2013-05-14

THIS DOCUMENT IS SUBJECT TO CHANGE WITHOUT NOTICE. IT IS CONFIDENTIAL AND A PROPERTY OF Amphenol LTW. DISCLOSURE TO THIRD PARTY HAS TO BE AUTHORIZED BY Amphenol LTW.

X-ON Electronics

Largest Supplier of Electrical and Electronic Components

Click to view similar products for [D-Sub Standard Connectors](#) category:

Click to view products by [Amphenol](#) manufacturer:

Other Similar products are found below :

[56F706-005-LI](#) [56F711-015](#) [012-9507-004](#) [LV242999-142T12](#) [015-0341-000](#) [015-0372-005](#) [015-0372-008](#) [015-8755-001](#) [020419-0104](#)
[012-0467-000](#) [012-9507-034](#) [012-9507-114](#) [020745-0008](#) [609-25P](#) [CT2-18-11PCAU](#) [CT6-10SL-3SC](#) [CT6-10SL-4SC](#) [CT6-14S-2SC](#)
[CT6E14SA7SC](#) [CT6N10SL-4SSA34](#) [M83513/01-FC](#) [M83723/76W24619 L/C](#) [M85049/48-3-2F](#) [6STD09PCM99B70X](#) [6STD09SCM99B30X](#)
[6STD09SCT99S40X](#) [6STD15PCT99S40X](#) [6STD15SCT99S40X](#) [6STF09PCM05B70X](#) [7-135760-9](#) [MC11E-10-6SN](#) [747552-3](#) [MD1-21PS](#)
[MDM-15SCBRM7-F222](#) [MDM96517-699](#) [MDM96521-744](#) [MDVB1-21SL1](#) [MIK0-1-7SH003](#) [MIKQ6-7SH076](#) [MIKQ7-7PH077](#) [MIKQ7-](#)
[7PH11](#) [MIKQ7-7PH32](#) [MJSV-28SL61](#) [MKJ4A1F14-55S](#) [8-135760-3](#) [8STD09PCM99B30X](#) [PG-KV/PV-16-GROM-SEALING](#) [GDA15P](#)
[GDAY15PB](#) [980-0000-170](#)