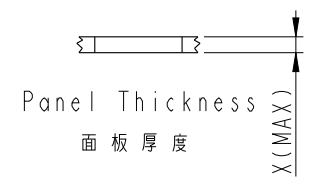
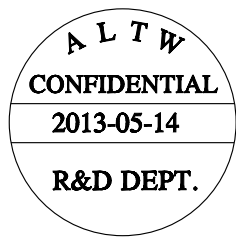
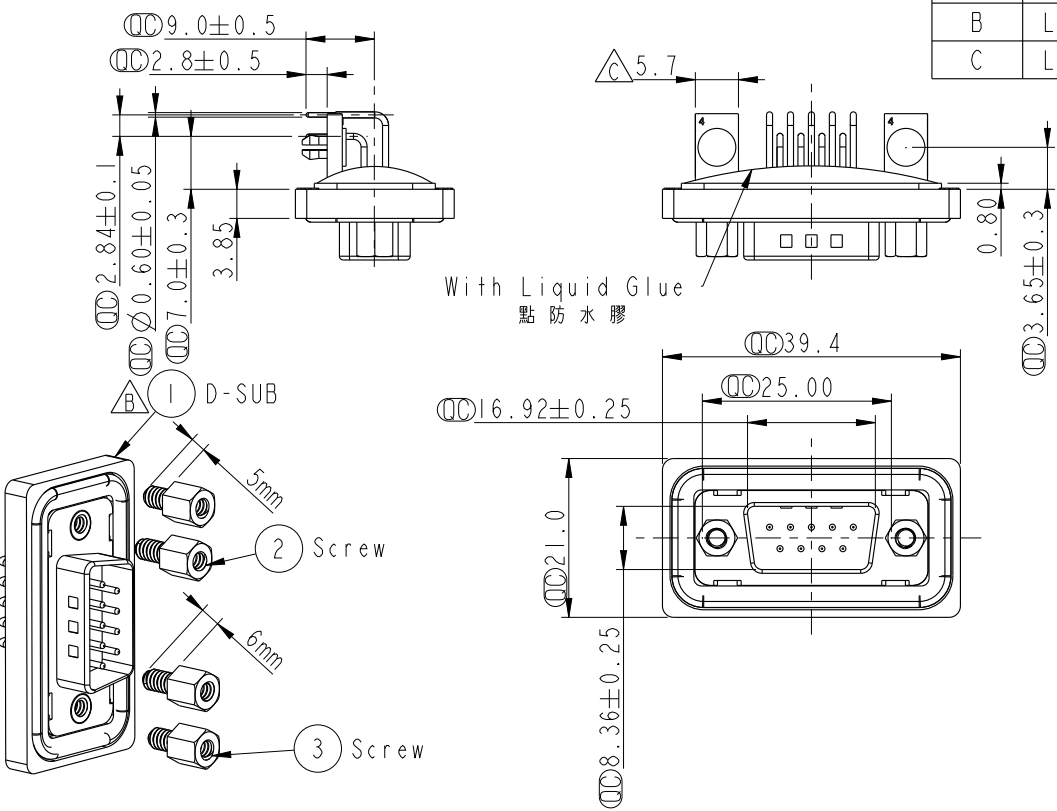
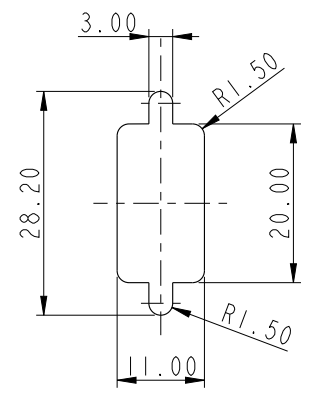


|      |            |            |          |                            |
|------|------------|------------|----------|----------------------------|
| REV. | ECN NO.    | DATE       | SIGN     | DESCRIPTION                |
| B    | LE3-710075 | 2006/12/18 | DongYaLi | Move O-Ring To ZSE00100717 |
| C    | LEN1350210 | 2013/05/14 | Yulong   | Change the Dimension       |



Screw L=5.0 For Panel Thickness Under 1.2mm  
適用板厚為1.2mm以下

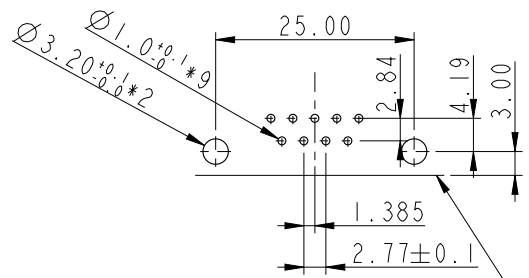
Screw L=6.0 For Panel Thickness Between 1.2~2.0mm  
適用板厚為 1.2~2.0mm



Recommended Panel Cut-Out

建議挖孔尺寸

- Note:
- \*  $\varnothing$  Important Dimension.
  - \* Waterproof Rate : IP68
  - IP68: 1M of depth of water 24 hours (防水等級: IP68)
  - (IP68: 1米水深24小時)
  - \* Do Mating Test After Glued
  - 點膠後, 須作對插測試
  - \* HD-SUB Conn. : Black Core, PBT
  - \* Plastic Jacket : Black, Nylon+GF
  - \* Pin: Copper Alloy, Gold Plated
  - \* Ring: Light Blue, Silicone
  - \* Screw: Copper Alloy, Nickel Plated, #4-40 UNC
  - \* The 90° Board Lock Needs To Connect The Iron Shell
  - L型支架需接鐵殼



9 Pin Male Connector PCB Pin Layout  
Max. Distance From The Circuit Board Edge  
距離PCB板邊最大尺寸

|           |        |               |  |     |                   |             |               |                 |   |          |                   |             |        |      |            |
|-----------|--------|---------------|--|-----|-------------------|-------------|---------------|-----------------|---|----------|-------------------|-------------|--------|------|------------|
| UNIT: mm  |        |               | TITLE  |     | ITEM NO.          | DRAWN BY    | DATE          |                 |   |          |                   |             |        |      |            |
|           |        |               | DB9/M Conn, Panel, PCB 90°<br>Add Board Lock |     | SDB-09PMMP-SB8001 | Yulong_wang | 2013-05-14    |                 |   |          |                   |             |        |      |            |
| TOLERANCE | .X     | $\pm 0.25$    | SCALE  | 1:1 | SIZE              | A4          | SHEET         | OF              | 1 | DWG NO.  | SDB-09PMMP-SB8001 | CHECKED BY  | Victor | DATE | 2013-05-14 |
|           | .XX    | $\pm 0.1$     | REV.   | C   | WC-REV.           | A.4         | $\varnothing$ | Inspection item |   | CUSTOMER | ALTW              | APPROVED BY | Maslow | DATE | 2013-05-14 |
|           | .XXX   | $\pm 0.05$    |  |     |                   |             |               |                 |   |          |                   |             |        |      |            |
|           | ANGLES | $\pm 1^\circ$ |  |     |                   |             |               |                 |   |          |                   |             |        |      |            |

**Amphenol LTW**  
安費諾亮泰企業股份有限公司

THIS DOCUMENT IS SUBJECT TO CHANGE WITHOUT NOTICE. IT IS CONFIDENTIAL AND A PROPERTY OF Amphenol LTW. DISCLOSURE TO THIRD PARTY HAS TO BE AUTHORIZED BY Amphenol LTW.

## X-ON Electronics

Largest Supplier of Electrical and Electronic Components

*Click to view similar products for [D-Sub Standard Connectors](#) category:*

*Click to view products by [Amphenol](#) manufacturer:*

Other Similar products are found below :

[56F706-005-LI](#) [56F711-015](#) [LV242999-142T12](#) [015-0341-000](#) [015-0372-005](#) [015-0372-008](#) [015-8755-001](#) [020419-0104](#) [012-0467-000](#)  
[012-9507-034](#) [012-9507-114](#) [020745-0008](#) [609-25P](#) [CT2-14S-2PCA34](#) [CT2-18-11PCAU](#) [CT6-10SL-3SC](#) [CT6-10SL-4SC](#) [CT6-14S-2SC](#)  
[CT6E14SA7SC](#) [CT6N10SL-4SSA34](#) [M83513/01-FC](#) [M83723/76W24619 L/C](#) [M85049/48-3-2F](#) [6STD09PCM99B70X](#) [6STD09SCM99B30X](#)  
[6STD09SCT99S40X](#) [6STD15PCT99S40X](#) [6STD15SCT99S40X](#) [6STF09PCM05B70X](#) [7-135760-9](#) [MC11E-10-6SN](#) [747552-3](#) [MD1-21PS](#)  
[MDM-15SCBRM7-F222](#) [MDM96517-699](#) [MDM96521-744](#) [MDVB1-21SL1](#) [MIK0-1-7SH003](#) [MIKQ6-7SH076](#) [MIKQ7-7PH077](#) [MIKQ7-](#)  
[7PH11](#) [MIKQ7-7PH32](#) [MJSV-28SL61](#) [MKJ4A1F14-55S](#) [8-135760-3](#) [8STD09PCM99B30X](#) [PG-KV/PV-16-GROM-SEALING](#) [GDA15P](#)  
[GDAY15PB](#) [980-0000-170](#)