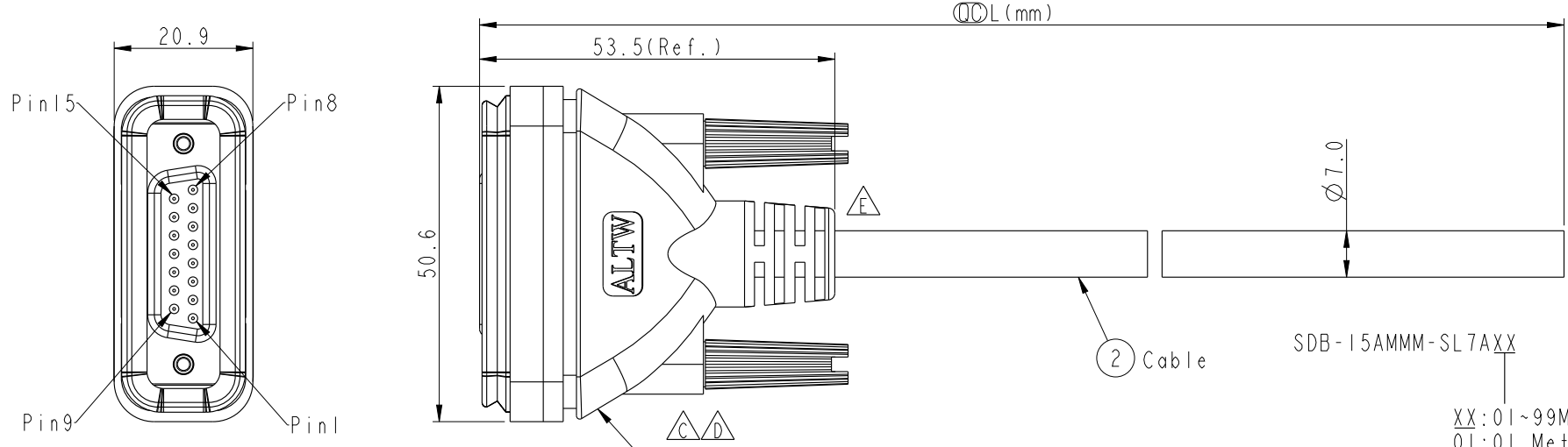


THIS DOCUMENT IS SUBJECT TO CHANGE WITHOUT NOTICE. IT IS CONFIDENTIAL AND A PROPERTY OF Amphenol LTW. DISCLOSURE TO THIRD PARTY HAS TO BE AUTHORIZED BY Amphenol LTW.

REV.	ECN NO.	DATE	SIGN	DESCRIPTION
C	LEN-870009	2008/06/25	Zhaorongfu	Change View
D	LEN1530116-119	2015/02/10	Ruru	Change Logo
E	LEN1681361~364	2016/08/05	Joyy	Modify The SR & Note



SDB-15AMMM-SL7AXX
 XX: 01~99Meter
 01: 01 Meter
 02: 02 Meter
 ...
 99: 99Meters
 Cable Length(L): 01~99Meters

① SDB-15AMMM-SL7000
 Color: Black



- △ Note:
- * Ⓞ Important Dimension.
 - * Waterproof Rate: IP67
 - * Housing: ABS, Black
 - * Female Pin: Copper Alloy, Gold Plated.
 - * Gasket: EPDM, Black
 - * Screw: Steel, Nickel Plated.
 - * Cable: UL2464 24AWG*15C+Drain+Al/My, PVC Jacket (UV Resistant), OD=7.0mm, Black.
 - * Cable Length Tolerance: 01M: ±40mm
 02M~05M: ±60mm
 06M~10M: ±100mm
 11M~30~: ±200mm
 31M~99M: ±500mm

Shell	Drain	地線
15	Red/White	紅/白
14	Brown/White	棕/白
13	Black/White	黑/白
12	Light Green	淺綠
11	Purple	紫
10	Orange	橘
9	Black	黑
8	Red	紅
7	Pink	粉紅
6	Gray	灰
5	Yellow	黃
4	Green	綠
3	White	白
2	Blue	藍
1	Brown	棕
Conn.	Wire Color	
	Pin	Out

UNIT:mm		TITLE D-Sub Conn. Cable Screw 15P M Conn M Pin		<h1>Amphenol LTW</h1> 安費諾亮泰企業股份有限公司	ITEM NO	DRAWN BY	DATE	
		SCALE 1:2	SIZE A4		SHEET 1 OF 1	DWG NO SDB-15AMMM-SL7AXX	CHECKED BY Ma Fei	DATE 2016-08-05
		REV. E	WC-REV. A.1		Ⓞ: Inspection item	CUSTOMER ALTW	APPROVED BY Jerry	DATE 2016-08-05

X-ON Electronics

Largest Supplier of Electrical and Electronic Components

Click to view similar products for [D-Sub Cables](#) category:

Click to view products by [Amphenol](#) manufacturer:

Other Similar products are found below :

[1200980218](#) [1200980067](#) [RB09P09P-006](#) [RB09P09P-012](#) [RB15P15P-006](#) [RB25P25P-006](#) [RB25P25P-012](#) [RB37P37P-024](#) [172-0906](#)
[SHD15P15S-012](#) [SHD15P15S-036](#) [SHD15P15S-060](#) [ACL-10137-2MM](#) [RB09P09P-024](#) [319285-3](#) [RS422-OM2](#) [SHD26P26S-060](#)
[SHD44P44S-036](#) [73-6210MM-6](#) [C200H-CN320-EU](#) [49725A 060S2](#) [73231-1321](#) [SDB-50AFFM-SL7A02](#) [49760A 060S2](#) [CS-](#)
[DSDMDB09MM-050](#) [HDB-26AFFM-SL7A02](#) [30-9503P](#) [30-9522P](#) [73-6220MM-6](#) [1200980058](#) [1200980066](#) [1200980078](#) [1200980052](#)
[1200980093](#) [1200980028](#) [1200980021](#) [1200980127](#) [SDB-09AFFM-SL7A02](#) [SDB-15AMMM-SL7A01](#) [BB-LDVYCBL](#) [83421-9286](#)
[MLDM2L-21P-6K7-18B](#) [KSFD1](#) [MM-2J2-021-SS1-41WN](#) [HDB-78AMMM-SL7A05](#) [SDB-37AMMM-SL7A03](#) [SDB-15AFFM-SL7A05](#)
[ACC-500-163-R](#) [172-1910](#) [2900907/21.4](#)