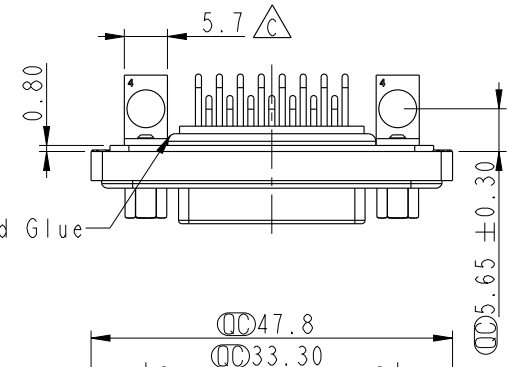
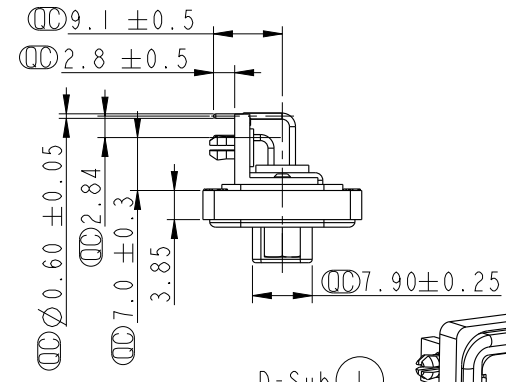


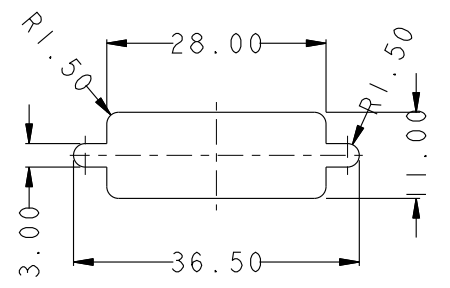
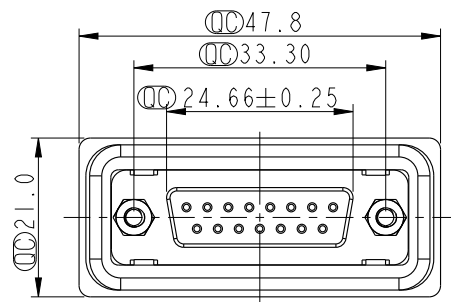
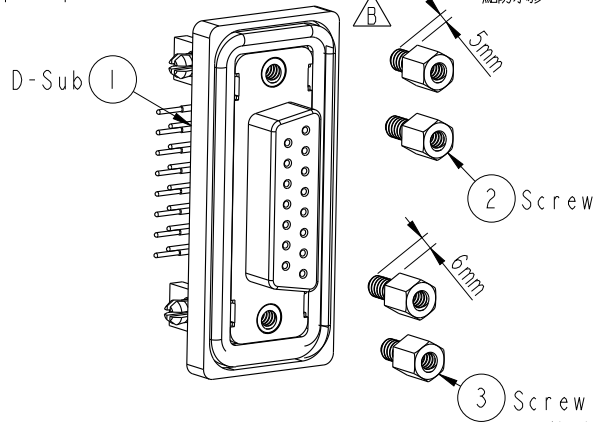
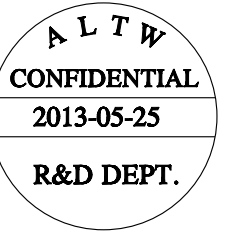
THIS DOCUMENT IS SUBJECT TO CHANGE WITHOUT NOTICE. IT IS CONFIDENTIAL AND A PROPERTY OF Amphenol LTW. DISCLOSURE TO THIRD PARTY HAS TO BE AUTHORIZED BY Amphenol LTW.

REV.	ECN NO.	DATE	SIGN	DESCRIPTION
B	LE3-710136	2006/12/14	DongYaLi	Change DOR0023S170 To DOR00010015 And Move DOR00010015 To ZSE00100560
C	LEN1390082	2013/05/25	Tony_leng	Change Dimensions

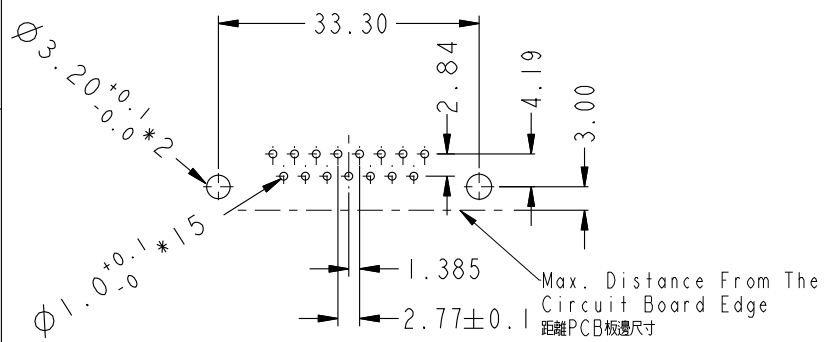


Screw L=5.0 For Panel Thickness Under 1.2mm
適用板厚 1.2mm 以下

Screw L=6.0 For Panel Thickness Between 1.2~2.0mm
適用板厚 1.2~2.0mm 以下



Recommended Panel Cut-Out
建議挖孔尺寸



15Pin Female Connector
PCB Pin Layout

- Note:
- * \varnothing Important Dimension.
 - * Waterproof Rate : IP68
IP68: 1M of depth of water 24 hours
(防水等級: IP68)
IP68: 1米水深 24小時)
 - * Do Mating Test After Glued
點膠後, 須作對插測試
 - * D-SUB Conn. : Black Core, PBT
 - * Plastic Jacket : Black, Nylon+GF
 - * Pin: Copper Alloy, Gold Plated
 - * Ring: Light Blue, Silicone
 - * Screw: Copper Alloy, Nickel Plated, #4-40 UNC
 - * The 90° Board Lock Needs To Connect The Iron Shell
L型支架需接鐵殼

UNIT: mm		TITLE DB15/F Conn., Panel, PCB 90° Add Board Lock	
TOLERANCE		SCALE 1:1	SIZE A4
.X ±0.25		REV. C	WC-REV. A.4
.XX ±0.1		SHEET 1 OF 1	
.XXX ±0.05		Circled symbol: Inspection item	
ANGLES ±1°			

Amphenol LTW
安費諾亮泰企業股份有限公司

ITEM NO. SDB-15PFFP-SB8001	DRAWN BY Tony_leng	DATE 2013-05-25
DWG NO. SDB-15PFFP-SB8001	CHECKED BY Yulong	DATE 2013-05-25
CUSTOMER ALTW	APPROVED BY Victor	DATE 2013-05-25

X-ON Electronics

Largest Supplier of Electrical and Electronic Components

Click to view similar products for [D-Sub Standard Connectors](#) category:

Click to view products by [Amphenol](#) manufacturer:

Other Similar products are found below :

[56F706-005-LI](#) [56F711-015](#) [012-9507-004](#) [LV242999-142T12](#) [015-0341-000](#) [015-0372-005](#) [015-0372-008](#) [015-8755-001](#) [020419-0104](#)
[012-0467-000](#) [012-9507-034](#) [012-9507-114](#) [020745-0008](#) [609-25P](#) [CT2-18-11PCAU](#) [CT6-10SL-3SC](#) [CT6-10SL-4SC](#) [CT6-14S-2SC](#)
[CT6E14SA7SC](#) [CT6N10SL-4SSA34](#) [M83513/01-FC](#) [M83723/76W24619 L/C](#) [M85049/48-3-2F](#) [6STD09PCM99B70X](#) [6STD09SCM99B30X](#)
[6STD09SCT99S40X](#) [6STD15PCT99S40X](#) [6STD15SCT99S40X](#) [6STF09PCM05B70X](#) [7-135760-9](#) [MC11E-10-6SN](#) [747552-3](#) [MD1-21PS](#)
[MDM-15SCBRM7-F222](#) [MDM96517-699](#) [MDM96521-744](#) [MDVB1-21SL1](#) [MIK0-1-7SH003](#) [MIKQ6-7SH076](#) [MIKQ7-7PH077](#) [MIKQ7-](#)
[7PH11](#) [MIKQ7-7PH32](#) [MJSV-28SL61](#) [MKJ4A1F14-55S](#) [8-135760-3](#) [8STD09PCM99B30X](#) [PG-KV/PV-16-GROM-SEALING](#) [GDA15P](#)
[GDAY15PB](#) [980-0000-170](#)