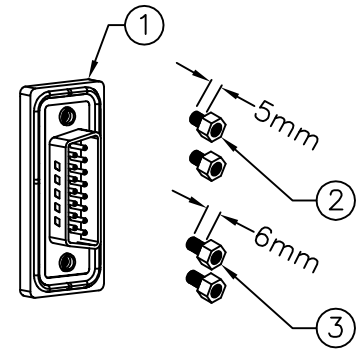
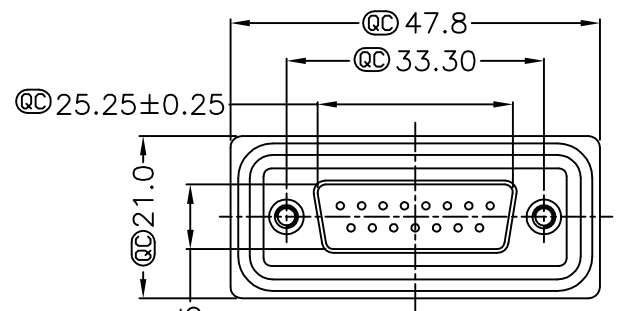
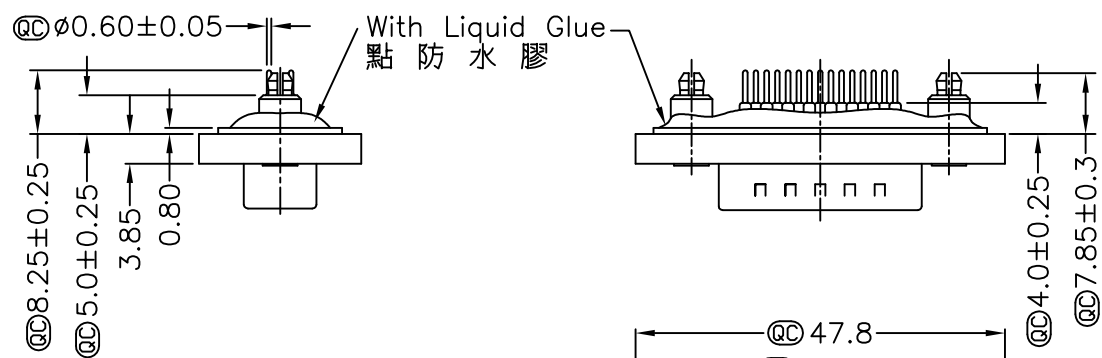


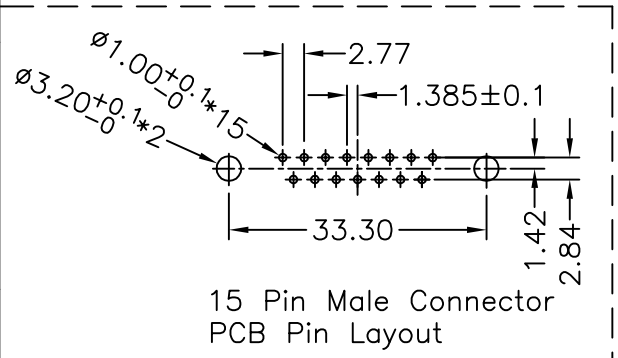
REV. A	ECN NO.	DATE 2006/03/01	SIGN DAVID	DESCRIPTION Released Rev.A
B	LE3-710136	2006/12/13	Gao Ling	Move O-ring to ZSE00100775



ALTW  
DCC. DEPT.  
CONFIDENTIAL  
2007.01.23  
ISSUED

ALTW  
CONFIDENTIAL  
2006.12.13  
R&D DEPT.

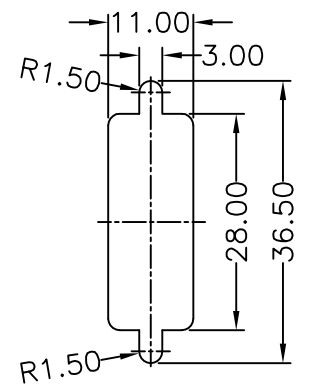
- Note:
- \* @C Important Dimension.
  - \* Waterproof Rate : IP68  
IP68:1M of depth of water 24 hours  
( 防水等級 IP68 )  
( IP68:1米水深 24小時 )
  - \* Do Mating Test After Glued  
點膠後, 須作對插測試
  - △\* HD-SUB Conn. :Black Core , PBT
  - △\* Plastic Jacket : Black , Nylon+GF
  - △\* Pin : Copper Alloy , Gold Plated
  - △\* Ring : Light Blue,Silicone
  - △\* Screw : Copper Alloy,Nickel Plated,#4-40 UNC
  - \* The 180° Board Lock Needs  
To Connect The Iron Shell  
180° 型支架需接鐵殼



Panel Thickness  
面板厚度  
X(Max.)

Screw L=5.0 For Panel Thickness  
Under 1.2mm  
適用板厚為1.2mm以下

Screw L=6.0 For Panel Thickness  
Between 1.2~2.0mm  
適用板厚為1.2~2.0mm



Recommended Panel Cut-Out  
建議挖孔尺寸

UNIT:mm	
TOLERANCE	
.X	±0.25
.XX	±0.1
.XXX	±0.05
ANGLES	±1'

TITLE D-SUB Connector 15Pin Male For Panel,PCB 180° Board Lock	
SCALE Free	SHEET 1 OF 1
REV. B	SIZE A4
@C :Inspection Item	

**Amphenol LTW**  
安費諾亮泰企業股份有限公司

ITEM NO SDB-15PMMP-SA8001	DRAWN BY Gao Ling
DWG NO SDB-15PMMP-SA8001	CHECKED BY SIMON
CUSTOMER ALTW	APPROVED BY MAX

DATE 2006/12/13
DATE 2006/12/22
DATE 2006/12/22

THIS DOCUMENT IS SUBJECT TO CHANGE WITHOUT NOTICE. IT IS CONFIDENTIAL AND A PROPERTY OF AMPHENOL LTW. DISCLOSURE TO THIRD PARTY HAS TO BE AUTHORIZED BY AMPHENOL LTW.

## X-ON Electronics

Largest Supplier of Electrical and Electronic Components

*Click to view similar products for [D-Sub Standard Connectors](#) category:*

*Click to view products by [Amphenol](#) manufacturer:*

Other Similar products are found below :

[56F706-005-LI](#) [56F711-015](#) [012-9507-004](#) [LV242999-142T12](#) [015-0341-000](#) [015-0372-005](#) [015-0372-008](#) [015-8755-001](#) [020419-0104](#)  
[012-0467-000](#) [012-9507-034](#) [012-9507-114](#) [020745-0008](#) [609-25P](#) [CT2-18-11PCAU](#) [CT6-10SL-3SC](#) [CT6-10SL-4SC](#) [CT6-14S-2SC](#)  
[CT6E14SA7SC](#) [CT6N10SL-4SSA34](#) [M83513/01-FC](#) [M83723/76W24619 L/C](#) [M85049/48-3-2F](#) [6STD09PCM99B70X](#) [6STD09SCM99B30X](#)  
[6STD09SCT99S40X](#) [6STD15PCT99S40X](#) [6STD15SCT99S40X](#) [6STF09PCM05B70X](#) [7-135760-9](#) [MC11E-10-6SN](#) [747552-3](#) [MD1-21PS](#)  
[MDM-15SCBRM7-F222](#) [MDM96517-699](#) [MDM96521-744](#) [MDVB1-21SL1](#) [MIK0-1-7SH003](#) [MIKQ6-7SH076](#) [MIKQ7-7PH077](#) [MIKQ7-](#)  
[7PH11](#) [MIKQ7-7PH32](#) [MJSV-28SL61](#) [MKJ4A1F14-55S](#) [8-135760-3](#) [8STD09PCM99B30X](#) [PG-KV/PV-16-GROM-SEALING](#) [GDA15P](#)  
[GDAY15PB](#) [980-0000-170](#)