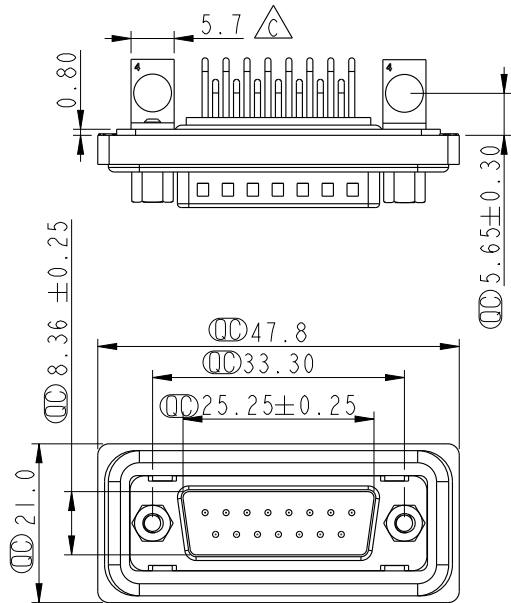
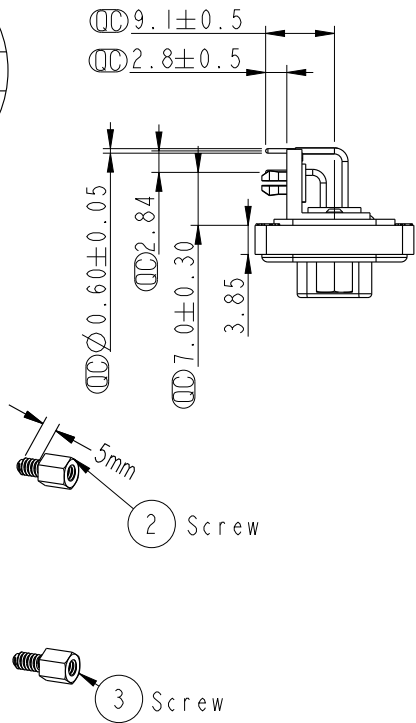
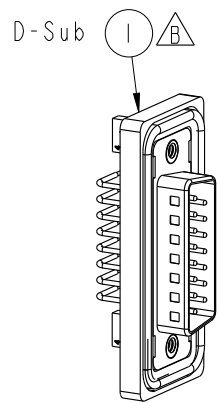
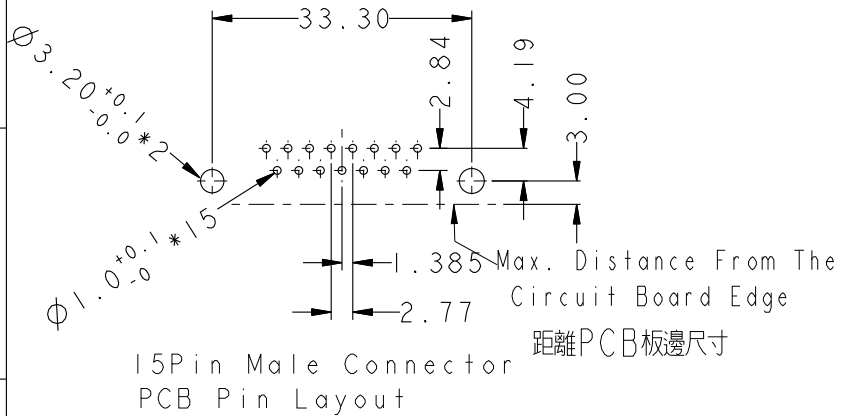


REV.	ECN NO.	DATE	SIGN	DESCRIPTION
A		2006/02/22	DAVID	Released Rev.A
B	LE3-710136	2006/12/14	DongYaLi	Change DOR00235170 To DOR00010015 And Move DOR00010015 To ZSE00100545
C	LEN1390084	2013/6/10	Tony_leng	Change Dimensions

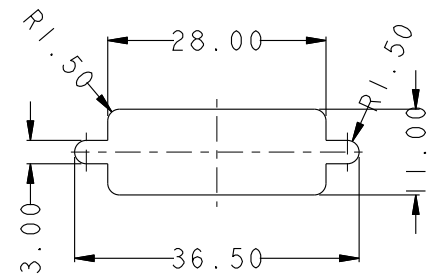


Screw L=5.0 For Panel Thickness Under 1.2mm  
適用板厚 1.2mm 以下

Screw L=6.0 For Panel Thickness Between 1.2~2.0mm  
適用板厚 1.2~2.0mm 以下



- Note:
- \*  $\varnothing$  Important Dimension.
  - \* Waterproof Rate : IP68  
IP68: 1M of depth of water 24 hours  
(防水等級: IP68)  
(IP68: 1米水深24小時)
  - \* Do Mating Test After Glued  
點膠後, 須作對插測試
  - \* D-SUB Conn. : Black Core, PBT
  - \* Plastic Jacket : Black, Nylon+GF
  - \* Pin: Copper Alloy, Gold Plated
  - \* Ring: Light Blue, Silicone
  - \* Screw: Copper Alloy, Nickel Plated, #4-40 UNC
  - \* The 90° Board Lock Needs To Connect The Iron Shell  
L型支架需接鐵殼



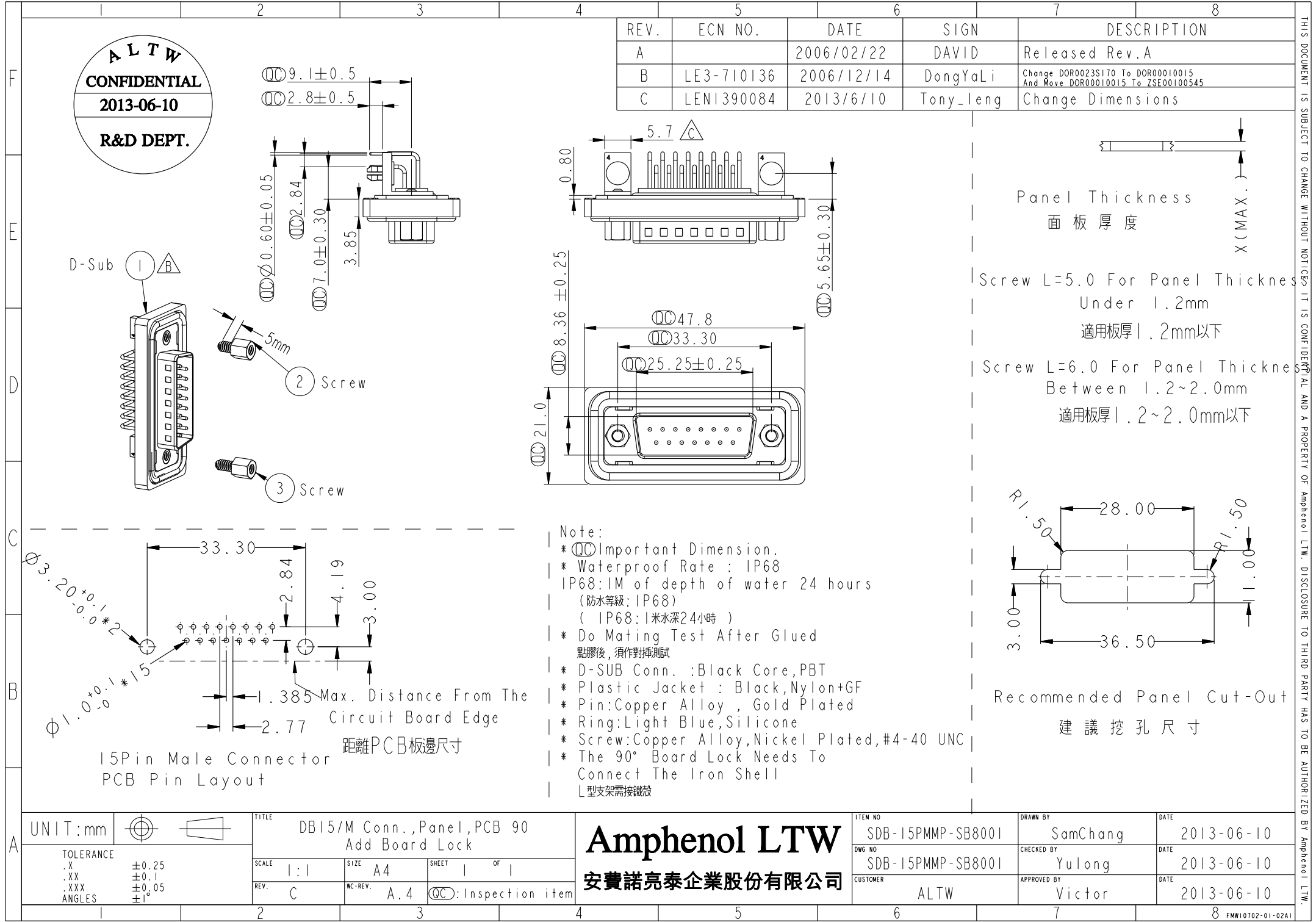
Recommended Panel Cut-Out  
建議挖孔尺寸

UNIT: mm		TITLE DB15/M Conn., Panel, PCB 90 Add Board Lock		
TOLERANCE		SCALE	SIZE	SHEET OF
.X ±0.25		1:1	A4	1 OF 1
.XX ±0.1		REV.	WC-REV.	
.XXX ±0.05		C	A.4	
ANGLES ±1°				$\varnothing$ : Inspection item

**Amphenol LTW**  
安費諾亮泰企業股份有限公司

ITEM NO	DB-15PMMP-SB8001	DRAWN BY	SamChang	DATE	2013-06-10
DWG NO	SDB-15PMMP-SB8001	CHECKED BY	Yulong	DATE	2013-06-10
CUSTOMER	ALTW	APPROVED BY	Victor	DATE	2013-06-10

THIS DOCUMENT IS SUBJECT TO CHANGE WITHOUT NOTICE. IT IS CONFIDENTIAL AND A PROPERTY OF Amphenol LTW. DISCLOSURE TO THIRD PARTY HAS TO BE AUTHORIZED BY Amphenol LTW.



## X-ON Electronics

Largest Supplier of Electrical and Electronic Components

*Click to view similar products for [D-Sub Standard Connectors](#) category:*

*Click to view products by [Amphenol](#) manufacturer:*

Other Similar products are found below :

[56F706-005-LI](#) [56F711-015](#) [LV242999-142T12](#) [015-0341-000](#) [015-0372-005](#) [015-0372-008](#) [015-8755-001](#) [020419-0104](#) [012-0467-000](#)  
[012-9507-034](#) [012-9507-114](#) [020745-0008](#) [609-25P](#) [CT2-18-11PCAU](#) [CT6-10SL-3SC](#) [CT6-10SL-4SC](#) [CT6-14S-2SC](#) [CT6E14SA7SC](#)  
[CT6N10SL-4SSA34](#) [M83513/01-FC](#) [M83723/76W24619 L/C](#) [M85049/48-3-2F](#) [6STD09PCM99B70X](#) [6STD09SCM99B30X](#)  
[6STD09SCT99S40X](#) [6STD15PCT99S40X](#) [6STD15SCT99S40X](#) [6STF09PCM05B70X](#) [7-135760-9](#) [MC11E-10-6SN](#) [747552-3](#) [MD1-21PS](#)  
[MDM-15SCBRM7-F222](#) [MDM96517-699](#) [MDM96521-744](#) [MDVB1-21SL1](#) [MIK0-1-7SH003](#) [MIKQ6-7SH076](#) [MIKQ7-7PH077](#) [MIKQ7-](#)  
[7PH11](#) [MIKQ7-7PH32](#) [MJSV-28SL61](#) [MKJ4A1F14-55S](#) [8-135760-3](#) [8STD09PCM99B30X](#) [PG-KV/PV-16-GROM-SEALING](#) [GDA15P](#)  
[GDAY15PB](#) [980-0000-170](#) [980-0000-171](#)