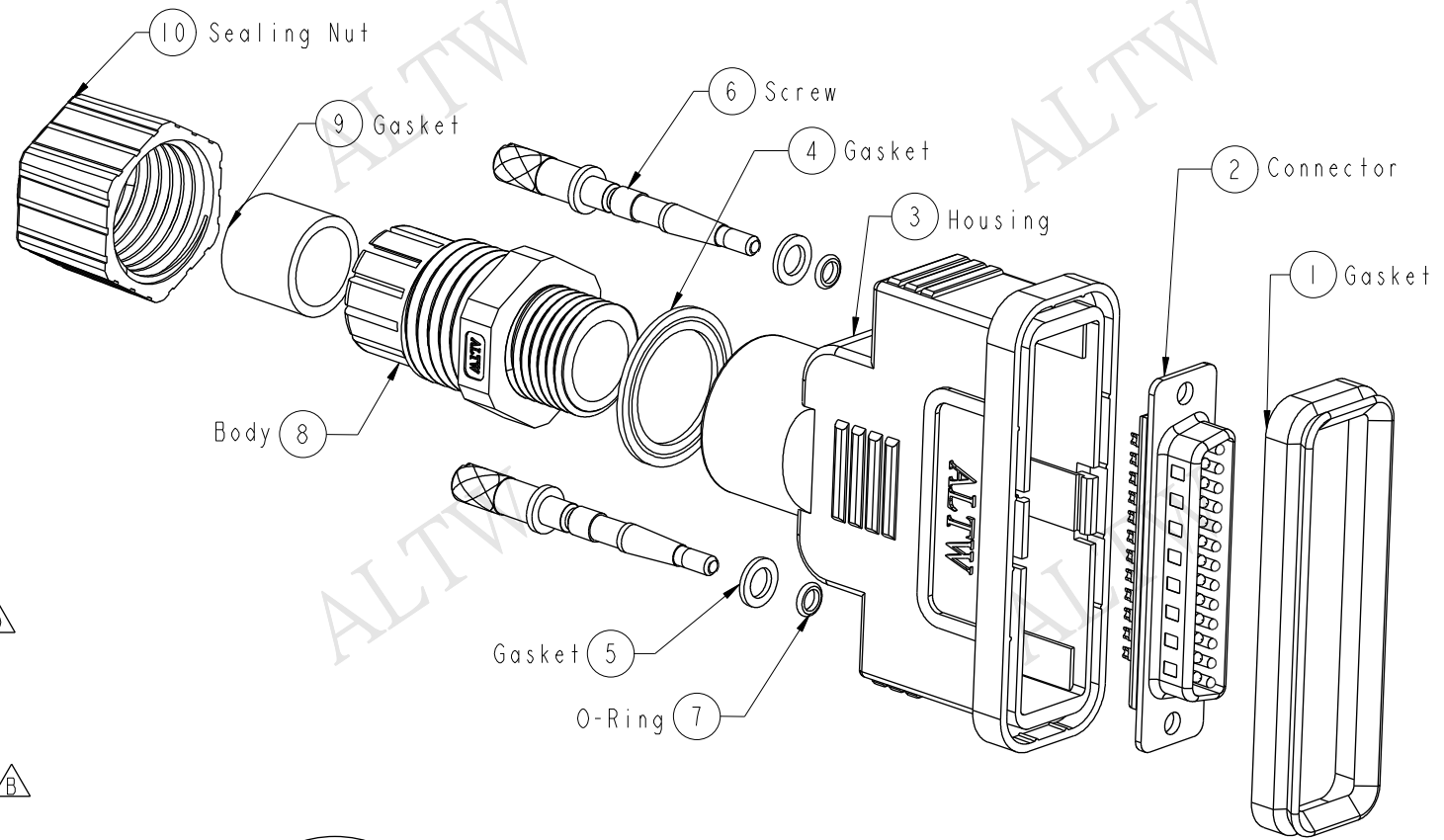
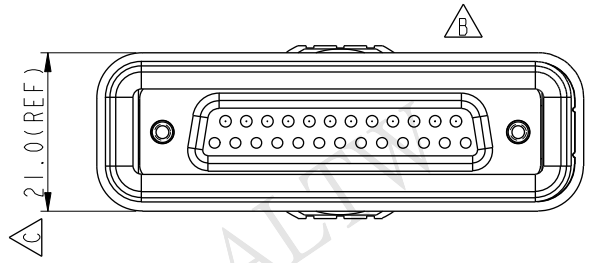
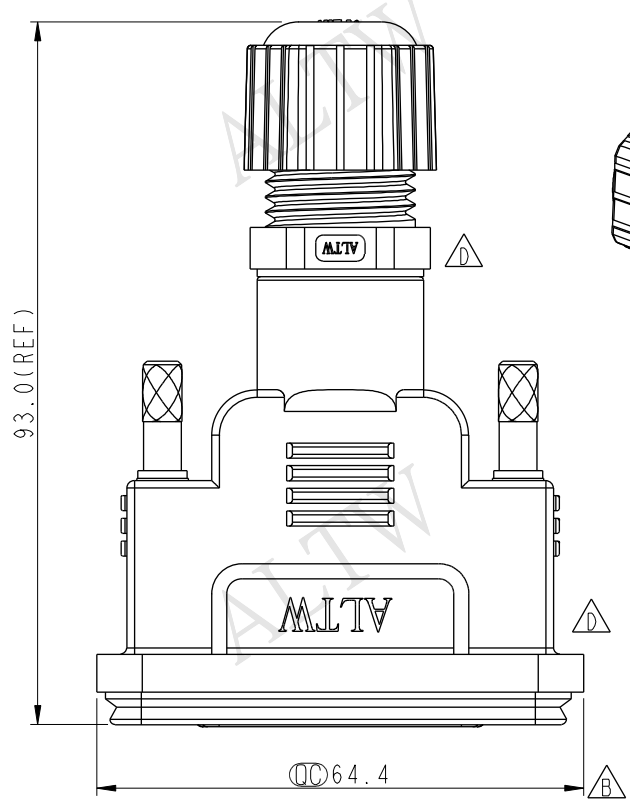


REV.	ECN NO.	DATE	SIGN	DESCRIPTION
B	LEN-990008	2009/09/04	Li Xiu Zhi	Change 64.5 to 64.4
C	LEN1160165	2011/05/11	Jiang Jun Hua	Change 21.0 To 21.0(Ref)
D	LEN1530176	2014/12/18	Ruru	Change Logo



**ALTW**  
 CONFIDENTIAL  
 2014-12-18  
 R&D DEPT.

- Note:
- \*  $\varnothing$  Important Dimension
  - \* Waterproof Rate: IP67
  - \* Connector: D-SUB 25Pin Male
  - \* Sealing Nut: Nylon, Black
  - \* Seals For Cable OD:  $\varnothing 6.0\text{mm} \sim \varnothing 10.0\text{mm}$
  - \* One Set Unassembled in One PE Bag

UNIT: mm TOLERANCE .X ±0.25 .XX ±0.1 .XXX ±0.05 ANGLES ±1°		TITLE		<b>Amphenol LTW</b> 安費諾亮泰企業股份有限公司	ITEM NO	DRAWN BY	DATE		
		D-SUB Conn Assy Screw DB25Pin M Conn. M Pin			SDB-25BMMA-SL7001	Ruru	2014-12-18		
		SCALE	SIZE		SHEET	OF	DWG NO	CHECKED BY	DATE
		1:1	A4		1	1	SDB-25BMMA-SL7001	Rita	2014-12-18
REV.	WC-REV.	QC: Inspection item		CUSTOMER	APPROVED BY	DATE			
D	A.2			ALTW	Win	2014-12-18			

THIS DOCUMENT IS SUBJECT TO CHANGE WITHOUT NOTICE. IT IS CONFIDENTIAL AND A PROPERTY OF Amphenol LTW. DISCLOSURE TO THIRD PARTY HAS TO BE AUTHORIZED BY Amphenol LTW.

## X-ON Electronics

Largest Supplier of Electrical and Electronic Components

*Click to view similar products for [D-Sub Standard Connectors](#) category:*

*Click to view products by [Amphenol](#) manufacturer:*

Other Similar products are found below :

[56F706-005-LI](#) [56F711-015](#) [012-9507-004](#) [LV242999-142T12](#) [015-0341-000](#) [015-0372-005](#) [015-0372-008](#) [015-8755-001](#) [020419-0104](#)  
[012-0467-000](#) [012-9507-034](#) [012-9507-114](#) [020745-0008](#) [609-25P](#) [CT2-18-11PCAU](#) [CT6-10SL-3SC](#) [CT6-10SL-4SC](#) [CT6-14S-2SC](#)  
[CT6E14SA7SC](#) [CT6N10SL-4SSA34](#) [M83513/01-FC](#) [M83723/76W24619 L/C](#) [M85049/48-3-2F](#) [6STD09PCM99B70X](#) [6STD09SCM99B30X](#)  
[6STD09SCT99S40X](#) [6STD15PCT99S40X](#) [6STD15SCT99S40X](#) [6STF09PCM05B70X](#) [7-135760-9](#) [MC11E-10-6SN](#) [747552-3](#) [MD1-21PS](#)  
[MDM-15SCBRM7-F222](#) [MDM96517-699](#) [MDM96521-744](#) [MDVB1-21SL1](#) [MIK0-1-7SH003](#) [MIKQ6-7SH076](#) [MIKQ7-7PH077](#) [MIKQ7-](#)  
[7PH11](#) [MIKQ7-7PH32](#) [MJSV-28SL61](#) [MKJ4A1F14-55S](#) [8-135760-3](#) [8STD09PCM99B30X](#) [PG-KV/PV-16-GROM-SEALING](#) [GDA15P](#)  
[GDAY15PB](#) [980-0000-170](#)