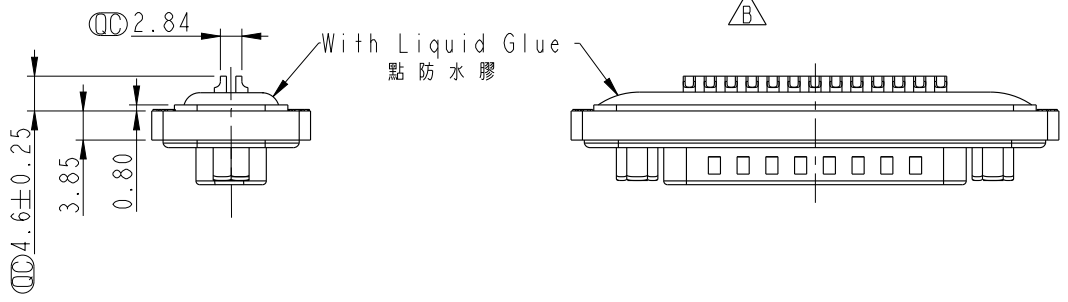
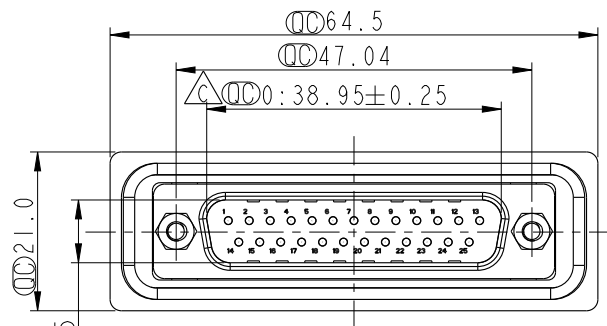
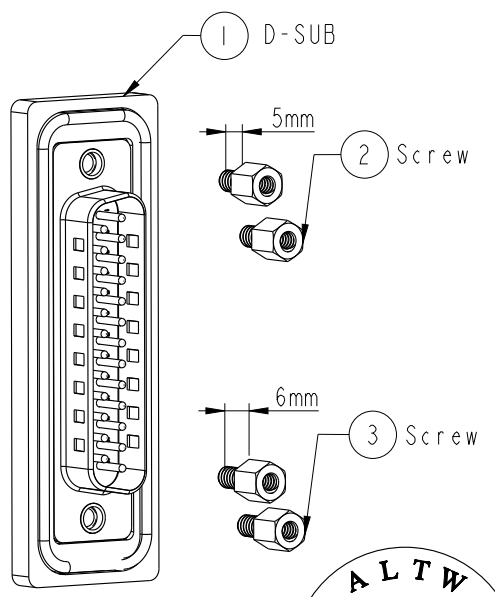


REV.	ECN NO.	DATE	SIGN	DESCRIPTION
B	LEN-980002	2009/07/29	Vicky	Remove Pin Dim.
C	LEN1350284	2013/05/31	Yulong	Update the Dimension

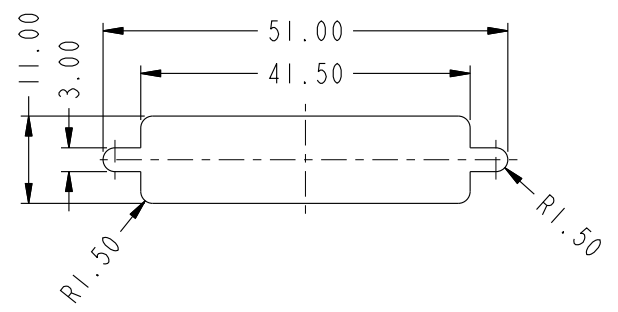


Screw L=5.0 For Panel Thickness Under 1.2mm  
適用板厚為 1.2mm 以下

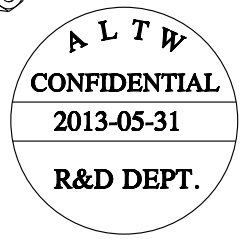
Screw L=6.0 For Panel Thickness Between 1.2~2.0mm  
適用板厚為 1.2~2.0mm



- Note:
- \*  $\varnothing$  Important Dimension.
  - \* Waterproof Rate: IP68  
IP68: 1M of depth of water 24 hours  
(防水等級: IP68)  
(IP68: 1米水深24小時)
  - \* Do Mating Test After Glued  
點膠後, 須作對插測試
  - \* Housing: Nylon+GF, Black.
  - \* Connector: PBT, Black.
  - \* Male Pin: Copper Alloy, Gold Plated.
  - \* Ring: Silicone, Light Blue.
  - \* Screw: Copper Alloy, Nickel Plated, #4-40 UNC.
  - \* Applicable Wire Range: 22AWG-26AWG.  
適用電線範圍: 22AWG-26AWG



Recommended Panel Cut-Out  
建議挖孔尺寸



UNIT: mm		
TOLERANCE	.X	±0.25
	.XX	±0.1
	.XXX	±0.05
ANGLES		±1°

TITLE D-SUB Conn. Panel Screw DB25P M Conn. M Pin			
SCALE	SIZE	SHEET	OF
1:1	A4	1	1
REV.	WC-REV.	$\varnothing$ : Inspection item	
C	A.5		

**Amphenol LTW**  
安費諾亮泰企業股份有限公司

ITEM NO.	DRAWN BY	DATE
SDB-25PMMS-SL8001	Yulong_wang	2013-05-31
DWG NO.	CHECKED BY	DATE
SDB-25PMMS-SL8001	Victor	2013-05-31
CUSTOMER	APPROVED BY	DATE
ALTW	Maslow	2013-05-31

THIS DOCUMENT IS SUBJECT TO CHANGE WITHOUT NOTICE. IT IS CONFIDENTIAL AND A PROPERTY OF Amphenol LTW. DISCLOSURE TO THIRD PARTY HAS TO BE AUTHORIZED BY Amphenol LTW.

F  
E  
D  
C  
B  
A

## X-ON Electronics

Largest Supplier of Electrical and Electronic Components

*Click to view similar products for [D-Sub Standard Connectors](#) category:*

*Click to view products by [Amphenol](#) manufacturer:*

Other Similar products are found below :

[56F706-005-LI](#) [56F711-015](#) [LV242999-142T12](#) [015-0341-000](#) [015-0349-000](#) [015-0350-000](#) [015-8544-011](#) [015-8755-001](#) [017041-0005](#)  
[020419-0104](#) [012-0467-000](#) [012-9507-114](#) [020745-0008](#) [609-25P](#) [609-9P](#) [M24308/2-23Z](#) [M24308/2-36Z](#) [CT0-24-10SC](#) [CT0E20-8PS](#)  
[CT0E22-14SC](#) [CT0F16S-1SC](#) [CT0FA22-1SS](#) [CT0P14S-5SXS](#) [CT0P22-14PS](#) [CT0TA16-11SXCA232](#) [CT0U22-14PSA206F127](#) [CT1E20-](#)  
[19SS](#) [CT1E20-22SCAU-G9](#) [CT1F22-14PC-G9](#) [CT1FC22-2PC](#) [CT1FC24-28SSAU](#) [CT1N22-22SS](#) [CT2-10SL-3SC](#) [CT2-14S-2PCA34](#) [CT2-](#)  
[18-10PS-FMLB-D](#) [CT2-18-11PCAU](#) [CT2-18-1PSAUA34](#) [CT2-22-19SC](#) [CT2-22-19SS-A206](#) [CT2-24-2PS](#) [CT2-28-12SC](#) [CT2-28-](#)  
[12SCA232](#) [CT2-28-12SSA232](#) [CT6-10SL-3SC](#) [CT6-10SL-4SC](#) [CT6-16-12SC](#) [CT6-18-10PSA206](#) [CT6-18-10PSA232](#) [CT6-18-](#)  
[10SSF127A206](#) [CT6-28-22SS](#)