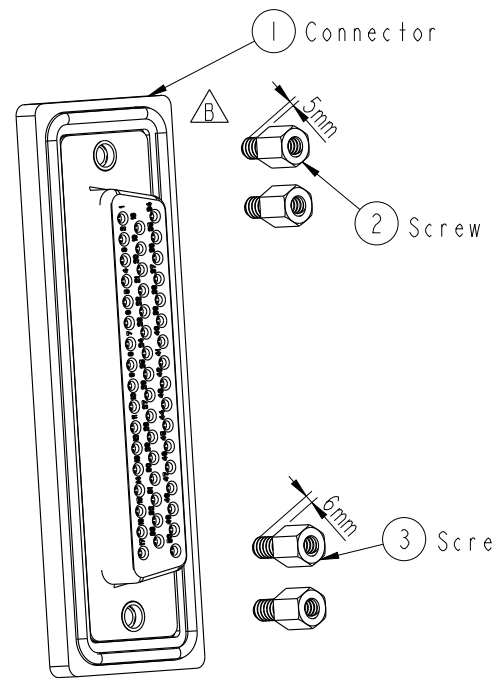
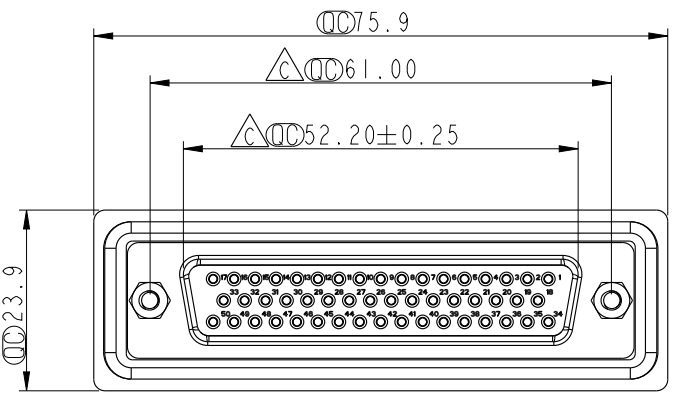
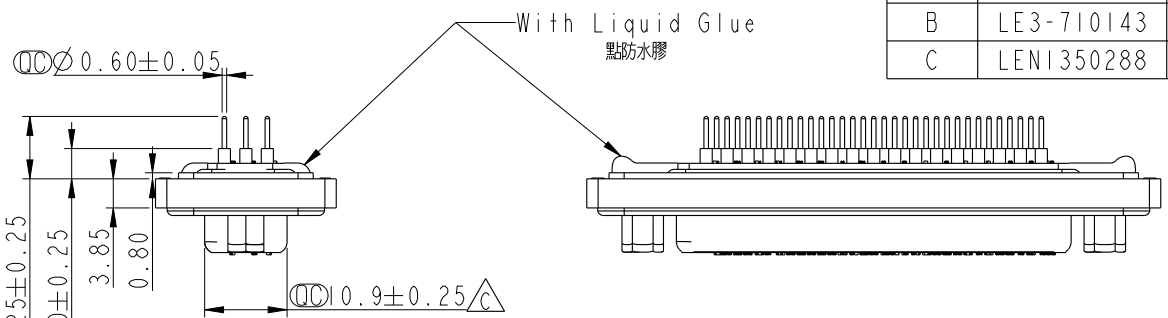


THIS DOCUMENT IS SUBJECT TO CHANGE WITHOUT NOTICE. IT IS CONFIDENTIAL AND A PROPERTY OF Amphenol LTW. DISCLOSURE TO THIRD PARTY HAS TO BE AUTHORIZED BY Amphenol LTW.

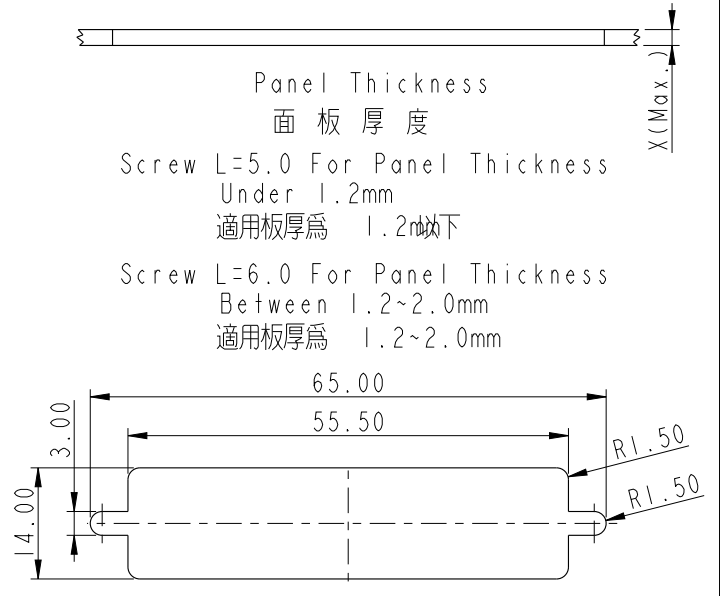
REV.	ECN NO.	DATE	SIGN	DESCRIPTION
B	LE3-710143	2006/12/15	Gao Ling	Move O-ring to ZSE00100825
C	LEN1350288	2013/05/31	Yulong	Update the Dimension



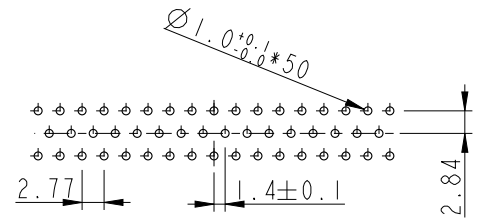
ALTW
CONFIDENTIAL
2013-05-31
R&D DEPT.

Note:
 * \varnothing Important Dimension.
 * Waterproof Rate : IP67
 * Do Mating Test After Glued
 點膠後，須作對插測試

- $\triangle B$ * D-SUB Conn. : Black Core, PBT
- $\triangle B$ * Plastic Jacket : Black, Nylon+GF
- $\triangle B$ * Pin : Copper Alloy , Gold Plated
- * Ring : Light Blue, Silicone
- $\triangle B$ * Screw : Copper Alloy, Nickel Plated, #4-40 UNC



Recommended Panel Cut-Out
建議控孔尺寸



50 Pin Female Connector
PCB Pin Layout

UNIT: mm		
TOLERANCE	.X ± 0.25	
	.XX ± 0.1	
	.XXX ± 0.05	
ANGLES	$\pm 1^\circ$	

TITLE D-SUB Conn. $\triangle B$ Panel Screw DB50P F Conn F Pin			
SCALE 1:1	SIZE A4	SHEET 1 OF 1	
REV. C	WC-REV. A.2	\varnothing : Inspection item	

Amphenol LTW
安費諾亮泰企業股份有限公司

ITEM NO. SDB-50PFFP-SL7001	DRAWN BY Yulong_wang	DATE 2013-05-31
DWG NO. SDB-50PFFP-SL7001	CHECKED BY Victor	DATE 2013-05-31
CUSTOMER ALTW	APPROVED BY Maslow	DATE 2013-05-31

A B C D E F

1 2 3 4 5 6 7 8

X-ON Electronics

Largest Supplier of Electrical and Electronic Components

Click to view similar products for [D-Sub Standard Connectors](#) category:

Click to view products by [Amphenol](#) manufacturer:

Other Similar products are found below :

[56F706-005-LI](#) [56F711-015](#) [LV242999-142T12](#) [015-0341-000](#) [015-0349-000](#) [015-0350-000](#) [015-8544-011](#) [015-8755-001](#) [017041-0005](#)
[020419-0104](#) [012-0467-000](#) [012-9507-114](#) [020745-0008](#) [609-25P](#) [609-9P](#) [M24308/2-23Z](#) [M24308/2-36Z](#) [CT0-24-10SC](#) [CT0E20-8PS](#)
[CT0E22-14SC](#) [CT0F16S-1SC](#) [CT0FA22-1SS](#) [CT0P14S-5SXS](#) [CT0P22-14PS](#) [CT0TA16-11SXCA232](#) [CT0U22-14PSA206F127](#) [CT1E20-](#)
[19SS](#) [CT1E20-22SCAU-G9](#) [CT1F22-14PC-G9](#) [CT1FC22-2PC](#) [CT1FC24-28SSAU](#) [CT1N22-22SS](#) [CT2-10SL-3SC](#) [CT2-14S-2PCA34](#) [CT2-](#)
[18-10PS-FMLB-D](#) [CT2-18-11PCAU](#) [CT2-18-1PSAUA34](#) [CT2-22-19SC](#) [CT2-22-19SS-A206](#) [CT2-24-2PS](#) [CT2-28-12SC](#) [CT2-28-](#)
[12SCA232](#) [CT2-28-12SSA232](#) [CT6-10SL-3SC](#) [CT6-10SL-4SC](#) [CT6-16-12SC](#) [CT6-18-10PSA206](#) [CT6-18-10PSA232](#) [CT6-18-](#)
[10SSF127A206](#) [CT6-28-22SS](#)