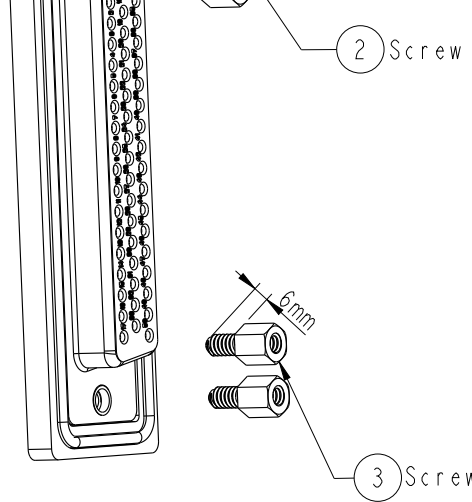
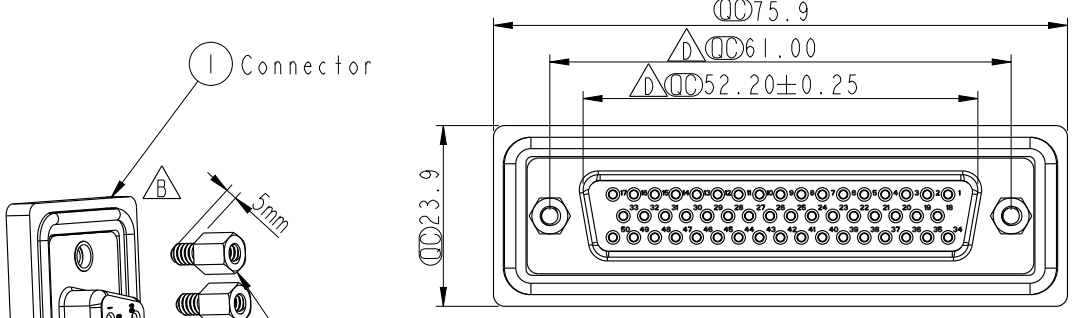
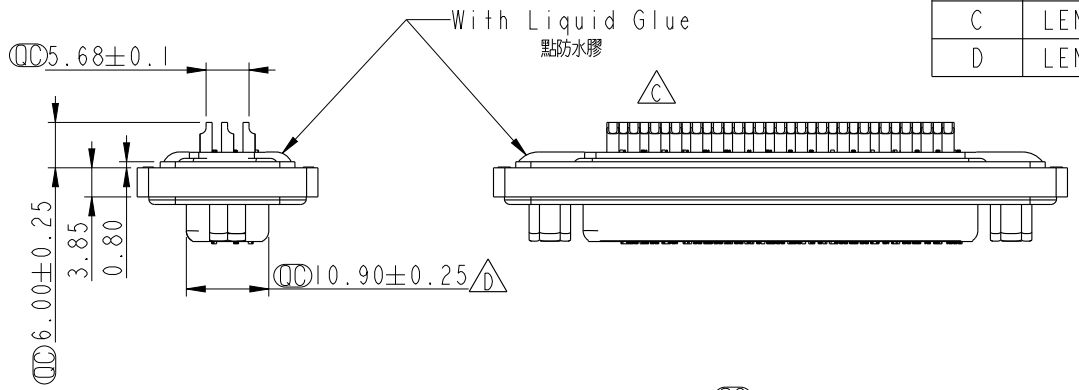
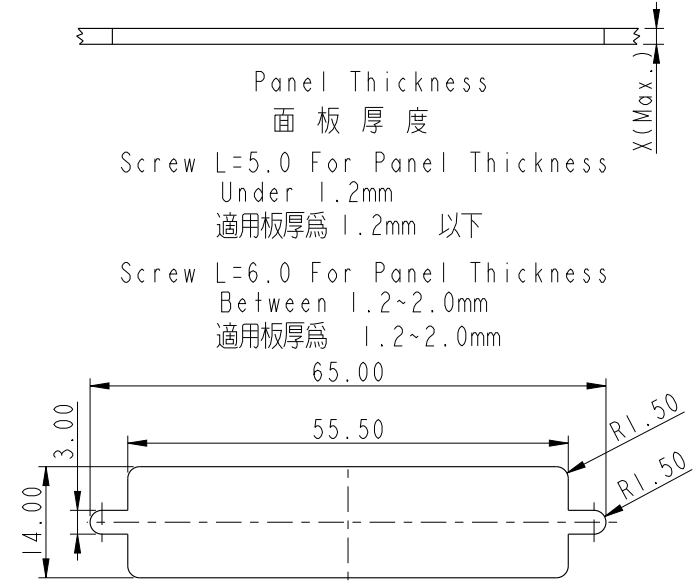


THIS DOCUMENT IS SUBJECT TO CHANGE WITHOUT NOTICE. IT IS CONFIDENTIAL AND A PROPERTY OF Amphenol LTW. DISCLOSURE TO THIRD PARTY HAS TO BE AUTHORIZED BY Amphenol LTW.

REV.	ECN NO.	DATE	SIGN	DESCRIPTION
B	LE3-710143	2006/12/15	Gao Ling	Move O-ring to ZSE00100827
C	LEN-980060	2009/08/05	Vicky	Remove Pin Dim.
D	LEN1350289	2013/05/31	Yulong	Update the Dimension



ALTW
CONFIDENTIAL
 2013-05-31
R&D DEPT.



Recommended Panel Cut-Out
 建議挖孔尺寸

- Note:
- * \varnothing Important Dimension.
 - * Waterproof Rate: IP67
 - * Do Mating Test After Glued
點膠後，須作對插測試
 - $\triangle B$ * Housing: Nylon+GF, Black.
 - $\triangle B$ * Connector: PBT, Black.
 - $\triangle B$ * Female Pin: Copper Alloy, Gold Plated.
 - * Ring: Silicone, Light Blue.
 - $\triangle B$ * Screw: Copper Alloy, Nickel Plated, #4-40 UNC.
 - * Applicable Wire Range: 22AWG-26AWG.
適用電線範圍: 22AWG-26AWG

UNIT: mm		
TOLERANCE	.X ±0.25	
	.XX ±0.1	
	.XXX ±0.05	
ANGLES	±1°	

TITLE D-SUB Conn. $\triangle B$ Panel Screw DB50P F Conn F Pin		
SCALE 1:1	SIZE A4	SHEET 1 OF 1
REV. D	WC-REV. A.2	\varnothing : Inspection item

Amphenol LTW
 安費諾亮泰企業股份有限公司

ITEM NO. SDB-50PFFS-SL7001	DRAWN BY Yulong_wang	DATE 2013-05-31
DWG NO. SDB-50PFFS-SL7001	CHECKED BY Victor	DATE 2013-05-31
CUSTOMER ALTW	APPROVED BY Maslow	DATE 2013-05-31

X-ON Electronics

Largest Supplier of Electrical and Electronic Components

Click to view similar products for [D-Sub Standard Connectors](#) category:

Click to view products by [Amphenol](#) manufacturer:

Other Similar products are found below :

[56F706-005-LI](#) [56F711-015](#) [012-9507-004](#) [LV242999-142T12](#) [015-0341-000](#) [015-0372-005](#) [015-0372-008](#) [015-8755-001](#) [020419-0104](#)
[012-0467-000](#) [012-9507-034](#) [012-9507-114](#) [020745-0008](#) [609-25P](#) [CT2-18-11PCAU](#) [CT6-10SL-3SC](#) [CT6-10SL-4SC](#) [CT6-14S-2SC](#)
[CT6E14SA7SC](#) [CT6N10SL-4SSA34](#) [M83513/01-FC](#) [M83723/76W24619 L/C](#) [M85049/48-3-2F](#) [6STD09PCM99B70X](#) [6STD09SCM99B30X](#)
[6STD09SCT99S40X](#) [6STD15PCT99S40X](#) [6STD15SCT99S40X](#) [6STF09PCM05B70X](#) [7-135760-9](#) [MC11E-10-6SN](#) [747552-3](#) [MD1-21PS](#)
[MDM-15SCBRM7-F222](#) [MDM96517-699](#) [MDM96521-744](#) [MDVB1-21SL1](#) [MIK0-1-7SH003](#) [MIKQ6-7SH076](#) [MIKQ7-7PH077](#) [MIKQ7-](#)
[7PH11](#) [MIKQ7-7PH32](#) [MJSV-28SL61](#) [MKJ4A1F14-55S](#) [8-135760-3](#) [8STD09PCM99B30X](#) [PG-KV/PV-16-GROM-SEALING](#) [GDA15P](#)
[GDAY15PB](#) [980-0000-170](#)