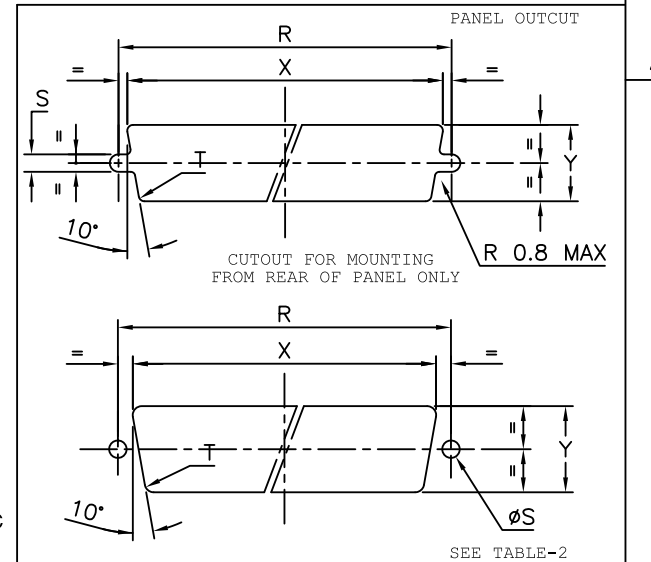


SHELL SIZE	P	S	DIMENSIONS										NOTE:- INSIDE DIMENSIONS OF THE MALE AND OUTSIDE DIMENSIONS OF THE FEMALE CONNECTOR					
			A <sup>0</sup>	B <sup>0</sup>	C	D <sup>0</sup>	E <sup>0</sup>	F MAX	G <sup>0</sup>	H <sup>0</sup>	J <sup>0</sup>	K	L <sup>0</sup>	M <sup>0</sup>	Nmax	P <sup>0</sup>	Q	R
50	P	S	66.65	52.68	61.11	11.08	14.99	11.09	5.85	55.07	13.31	1.50	1.0	3.10	3.05	2.20	2.76	17.35
	S	P	66.65	52.30	61.11	10.62	14.99	11.21	6.05	55.07	13.31	1.10	0.8	3.10	2.85	2.20	2.76	17.44
37	P	S	68.94	55.30	63.50	8.23	12.17	11.09	5.85	57.45	10.46	1.50	1.0	3.10	3.05	2.20	2.76	17.35
	S	P	68.94	54.71	63.50	7.77	12.17	11.21	6.05	57.45	10.46	1.10	0.8	3.10	2.85	2.20	2.76	17.44
25	P	S	52.65	38.84	47.04	8.23	12.17	11.07	5.85	41.02	10.46	1.10	0.8	3.10	2.85	2.20	2.76	17.35
	S	P	52.65	38.25	47.04	7.77	12.17	11.21	6.05	41.02	10.46	1.10	0.8	3.10	2.85	2.20	2.76	17.44
15	P	S	38.76	25.12	33.32	8.23	12.17	10.99	5.85	27.25	10.46	1.10	0.8	3.10	2.85	2.20	2.74	17.35
	S	P	38.76	24.54	33.32	7.77	12.17	11.21	6.05	27.25	10.46	1.10	0.8	3.10	2.85	2.20	2.74	17.44
09	P	S	30.43	16.79	24.99	8.23	12.17	10.99	5.85	19.02	10.46	1.10	0.8	3.10	2.85	2.20	2.74	17.35
	S	P	30.43	16.21	24.99	7.77	12.17	11.21	6.05	19.02	10.46	1.10	0.8	3.10	2.85	2.20	2.74	17.44

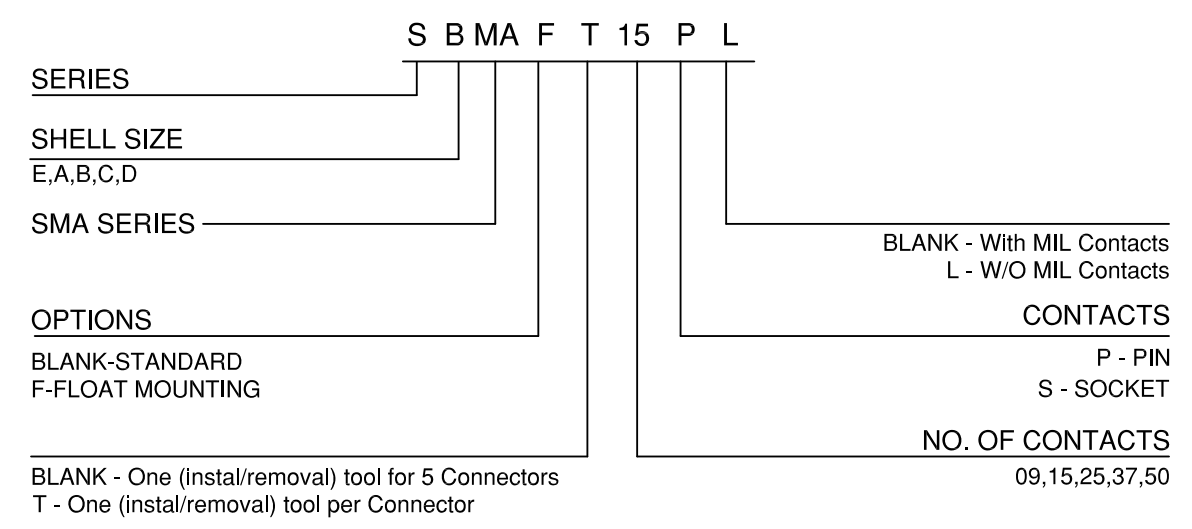
**TECHNICAL SPECIFICATION**

- SHELLS : PASSIVATED CADMIUM PLATED STEEL
- INSULATOR : SELF-EXTINGUISHING POLYSTER,UL CLASS V-0
- THE HOUSING WILL WITHSTAND EXPOSURE TO 260-265°C IF WE USE PROTECTIVE ADHESIVE (type Kapton or Teflon) OR PROTECTIVE METALLIC DEVICE
- CONTACT : 1MM
- OPERATING TEMPERATURE : -55 C TO +125C
- CONTACT MATERIAL : COPPER ALLOY
- CONTACT PLATING : GOLD OVER NICKEL
- OPERATING CURRENT : 7.5 A PER CONTACT
- CONTACT RESISTANCE : ≤7.3mΩ
- INSULATION RESISTANCE : ≥5000 MΩ
- MAXIMUM VOLTAGE : 1000 V RMS
- MECHANICAL ENDURANCE : 500 MATINGS
- SALT SPRAY : 48 hrs
- DAMP HEAT : 56 DAYS
- WIRE SIZE : AWG 20 TO 24 MAX
- TERMINATION : CRIMP



SHELL SIZE	TYPE OF MOUNTING	MOUNTING POSITION	DIMENSIONS				
			X ±0.1	Y ±0.1	R ±0.1	S ±0.1	T ±0.1
50	STD	FRONT	58.30	15.80	61.11	3.20	2.10
		REAR	56.30	14.10	61.11	3.20	3.30
50	FLOAT	FRONT	59.20	16.60	61.11	2.20	2.10
		REAR	57.20	14.40	61.11	2.20	3.30
37	STD	FRONT	60.70	13.00	63.50	3.20	2.10
		REAR	59.10	11.40	63.50	3.20	3.30
37	FLOAT	FRONT	61.50	13.80	63.50	2.20	2.10
		REAR	59.80	12.20	63.50	2.20	3.30
25	STD	FRONT	44.30	13.00	47.04	3.20	2.10
		REAR	42.50	11.40	47.04	3.20	3.30
25	FLOAT	FRONT	45.10	13.80	47.04	2.20	2.10
		REAR	43.30	12.20	47.04	2.20	3.30
15	STD	FRONT	30.50	13.00	33.32	3.20	2.10
		REAR	28.80	11.40	33.32	3.20	3.30
15	FLOAT	FRONT	31.30	13.80	33.32	2.20	2.10
		REAR	29.60	12.20	33.32	2.20	3.30
09	STD	FRONT	22.20	13.00	24.99	3.20	2.10
		REAR	20.50	11.40	24.99	3.20	3.30
09	FLOAT	FRONT	23.00	13.80	24.99	2.20	2.10
		REAR	21.30	12.20	24.99	2.20	3.30

**ORDERING INFORMATION**



Housing will withstand exposure to 260°C peak temp for 3.5sec

mat'l. code		surface		tolerance		projection		product family	
SEE NOTE 4		ISO 1302		ISO 406 ISO 1101		MM		D-SUB	
ltr	ecn no	dr	date	tolerances unless otherwise specified		MM		title	
B	068-06-08	AMR	2008/06/12	angles	linear	MM		D- SUB-SMA SERIES MIL-C	
C	082-07-08	AMR	2008/07/16	0°±1°		MM		CONNECTORS	
D	055-06-09	AMR	2009/06/16	.000±.00X		MM		CONNECTIONS	
E	082-08-14	AB	2014/08/06	dr	GEORGE.V.JOSEPH	1998/12/16		dwg no	
				enr	ALIAS.BABU	2014/08/06		sheet 1 of 1	
				chr	MITHUN.PAUL	2014/08/06		size	
				appd	BIJU.K.PAUL	2014/08/06		A3	
sheet index		revision sheet		E		FCI		type Product Customer Drawing	
1		1		1					

## X-ON Electronics

Largest Supplier of Electrical and Electronic Components

*Click to view similar products for [D-Sub Standard Connectors](#) category:*

*Click to view products by [Amphenol](#) manufacturer:*

Other Similar products are found below :

[56F706-005-LI](#) [56F711-015](#) [LV242999-142T12](#) [015-0341-000](#) [015-0349-000](#) [015-0350-000](#) [015-8544-011](#) [015-8755-001](#) [017041-0005](#)  
[020419-0104](#) [020745-0008](#) [609-25P](#) [609-9P](#) [M24308/2-23Z](#) [CT0-24-10SC](#) [CT06E20-22SS](#) [CT0E20-8PS](#) [CT0E22-14SC](#) [CT0F16S-1PS](#)  
[CT0F16S-1SC](#) [CT0FA22-1PS](#) [CT0FA22-1SS](#) [CT0M20-7PCAU](#) [CT0P14S-5SXS](#) [CT0P22-14PS](#) [CT0TA16-11SXCA232](#) [CT0U22-](#)  
[14PSA206F127](#) [CT1F22-14PC-G9](#) [CT1FC22-2PC](#) [CT1N22-22SS](#) [CT2-10SL-3SC](#) [CT2-14S-2PCA34](#) [CT2-18-10PS-FMLB-D](#) [CT2-18-](#)  
[11PCAU](#) [CT2-22-19SC](#) [CT2-22-19SS-A206](#) [CT2-24-28PSF127A206](#) [CT2-28-12SC](#) [CT2-28-12SCA232](#) [CT2-28-12SSA232](#) [CT6-10SL-3SC](#)  
[CT6-10SL-4SC](#) [CT6-14S-2SC](#) [CT6-16-12SC](#) [CT6-18-10PSA206](#) [CT6-18-10PSA232](#) [CT6-18-10SSF127A206](#) [CT6-20-15SSA232](#) [CT6-](#)  
[9767-18-8-18-4SS](#) [CT6A16S-5PC](#)